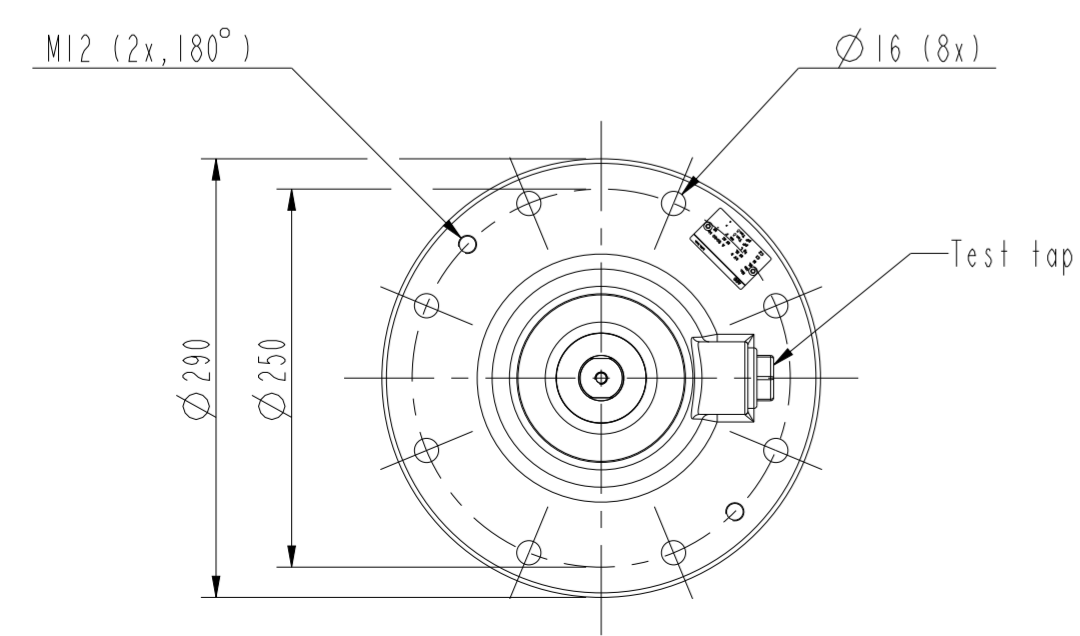
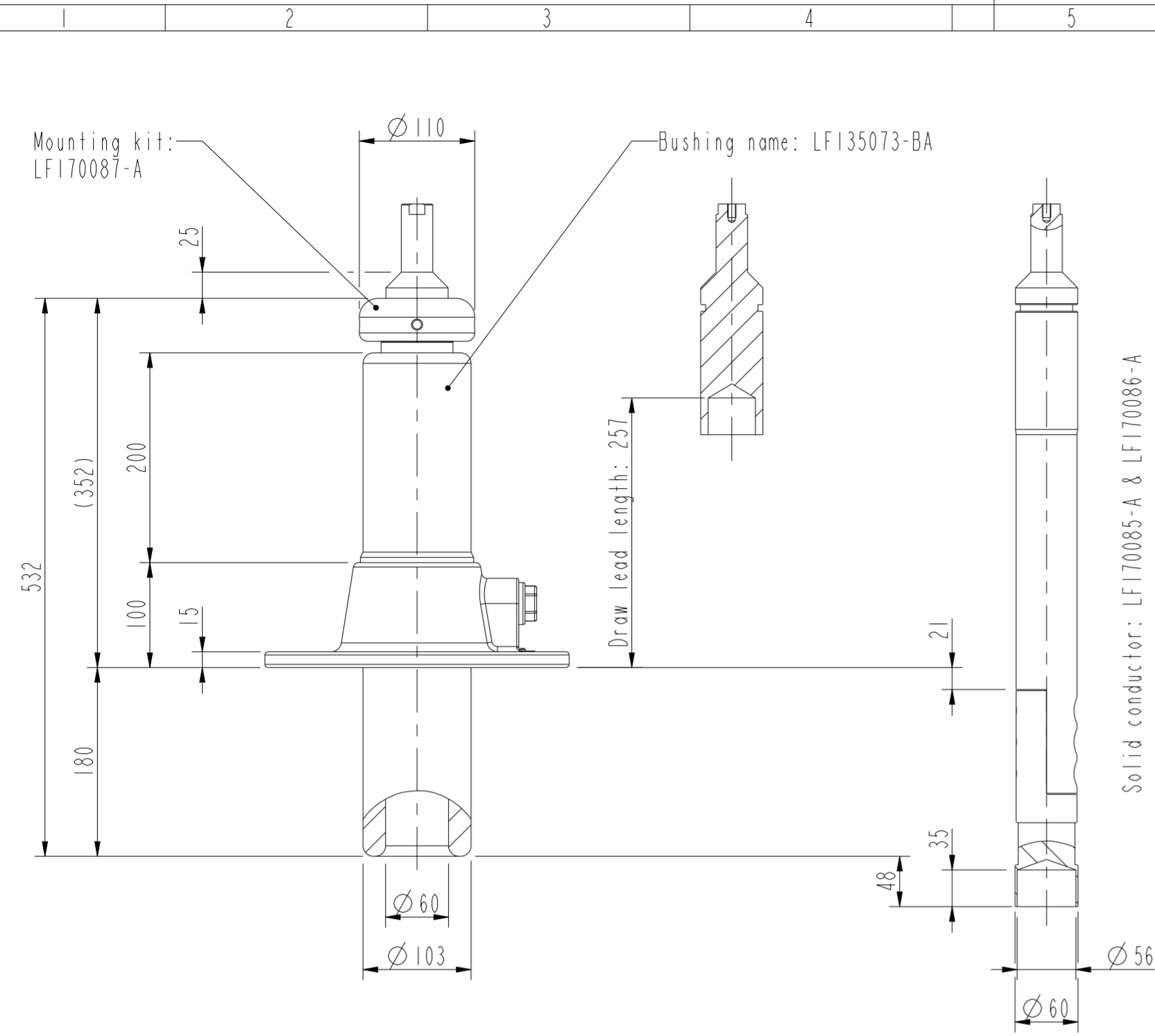


This document is issued by means of a computerized system. The digitally stored original is electronically approved. The approved document has a date entered in the "Approved"-field. A manual signature is not required.



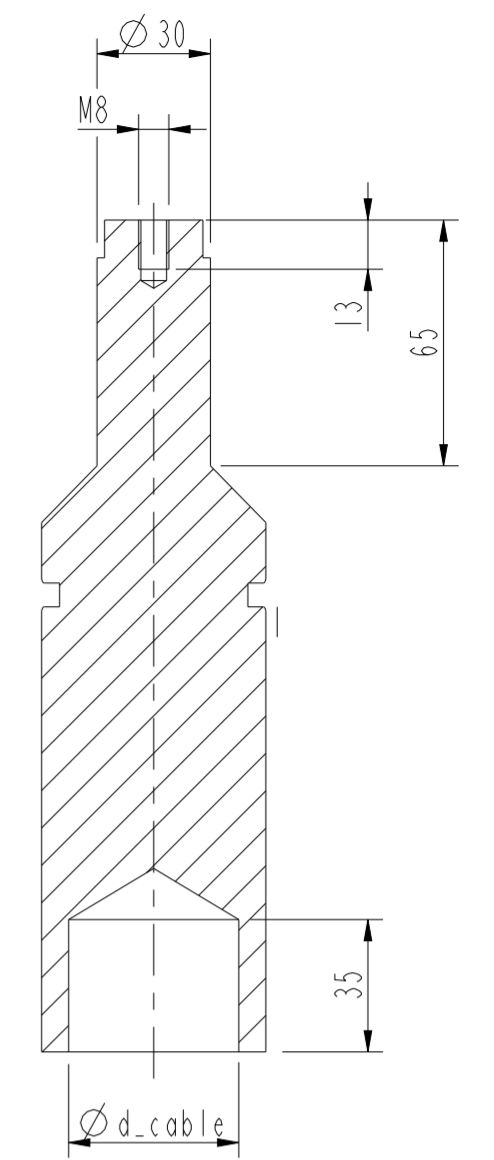
Conductor, upper (Cu)	
Catalog No.	MASS
LF170085-A	11

Conductor, lower (Cu)	
Catalog No.	MASS
LF170086-A	3

Mass. 3.5 kg

Terminal (Cu)	
Catalog No.	d_cable
LF170084-A	5
LF170084-B	11
LF170084-C	13
LF170084-D	15
LF170084-E	18
LF170084-F	30
LF170084-G	42
LF170084-H	45
LF170084-I	50
LF170084-J	54

Revision: Revision text  
C Capacitance updated.



**ELECTRICAL DATA acc. to IEC 60137**

Ratings	Rated voltage	73	kV
	Max. phase to earth voltage	42	kV
	Max. phase to earth voltage, temporary	73	kV
	Max. current with Cu-conductor	2500	A
	Max. current with stranded cable 1200 mm <sup>2</sup>	1600	A
	Dry lightning impulse	350	kV
	Chopped lightning impulse	403	kV
Routine test	Dry power frequency	160	kV
Capacitance	Nominal capacitance	204	pF

**GENERAL DATA acc. to IEC 60137**

Mass	Mass bushing	7	kg
Cantilever load	Cantilever test load, according to IEC 60137	3150	N
	Max. cantilever operating load, bushing	1575	N
Ambient air temperature according to IEC 60137		-40 to +40	°C
Mounting and service instructions		2750515-138	

**ELECTRICAL DATA acc. to ANSI C57.19.00**

Ratings	Insulation class	69	kV
	Rated max. line to ground voltage	44	kV
	Max. current with Cu-conductor	2500	A
	Max. current with stranded cable 1200 mm <sup>2</sup>	1600	A

Dim. requirements acc. to C57.19.01 not fulfilled

Approved 2021-01-21	Document Kind Dimension Drawing	Based on doc. id	Work order id	Project id
Company ABB Technology Ltd	Title, Supplementary title Dimension drawing GSA 73-00 2500/0			
Responsible Department SEABB-9AAE300824	Måttskiss GSA 73-00 2500/0			
<b>ABB</b>	Document id 2751365-BA	Status Approved	Revision C	Iteration 2
				Sheet 1/1

<b>ABB</b>	Ludvika, Sweden
GSA 73-00/2500/0	LF135073-BA
No.	
Um 73 kV	Ir2500 A 50/60 Hz
BIL 350 kV SIL	kV AC 160 kV
M 7 kg	L 180 mm
C1	pF Tan δ x
C2	pF Tan δ x