

We reserve all rights in this document and in the information contained therein. Reproduction, use or disclosure to third parties without express authority is strictly forbidden. © ABB 19

Pos. Läge	R connects förbinder	H connects förbinder
1	12-13	1-15
2		2-15
3		3-15
4		4-15
5		5-15
6		6-15
7		7-15
8		8-15
9		9-15
10		10-15
11		11-15
12		12-15
12A	12-14	1-15
13		2-15
14		3-15
15		4-15
16		5-15
17		6-15
18		7-15
19		8-15
20		9-15
21		10-15
22		11-15
23	11-15	

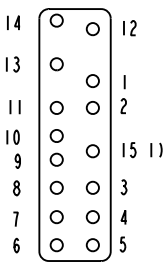
A position with letter is a through position and gives the same voltage as the normal position.

Läge med bokstav är ett genomslagsläge och ger samma spänning som normalläget.

1) Connections between the terminals 15 of the three phases are included in the star-point type.

Förbindningar mellan uttag 15 i de tre faserna ingår i nollpunktsutförandet.

Terminal board
Plint



Section A-A
Sektion A-A

On-load tap-changer type UZER., UZFR., 23 tap positions, plus/minus switching.

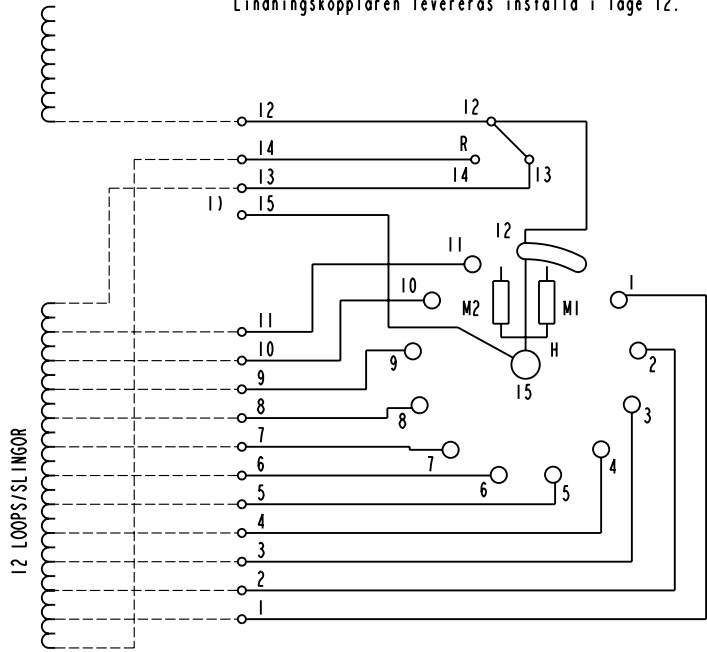
Max effective No. of turns in pos. 1.

The tap-changer is delivered set in pos. 12.

Lindningskopplare typ UZER., UZFR., 23 lägen, plus/minus-koppling.

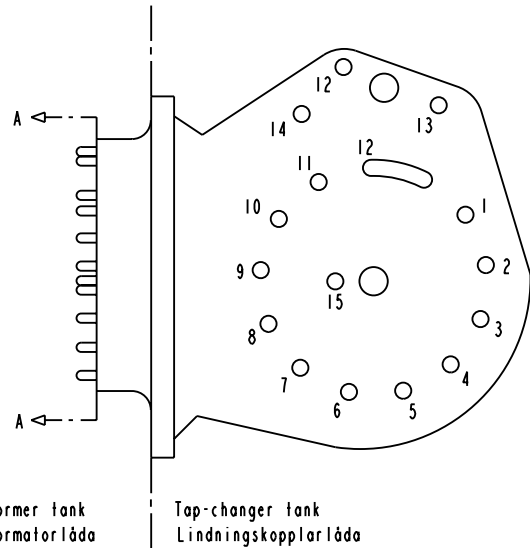
Max antal effektiva varv i läge 1.

Lindningskopplaren levereras inställd i läge 12.



The tap-changer is shown in pos. 12
Lindningskopplaren visad i läge 12

- R Change-over selector
Plus/minus-omkopplare
- H Main contact
Huvudkontakt
- M1, M2 Transition contacts
Motståndskontakter



Transformer tank
Transformatorlåda

Tap-changer tank
Lindningskopplarlåda

Sheet	Cont
Year	Week
Dept	
Rev	Ind
Design checked by	
Form No.	

-	-	-	-	-		
Rev	Ind	Revision	Appd	Year	Week	
Accepted for qual control		Accepted for prod by		Description (English)		DATAORIGINAL
R. Yngvesson				CONNECTION DIAGRAM		
Design checked by		Drawn by		Description (own language)		File name
B-O. Stenestam		L. Bergman		KOPPLINGSSHEMA		
Drawing checked by		Issued by		Dept		Lang
M. Hedlund		COM/TKO		97 33		Sheet
ABB		Asea Brown Boveri		5492 0394-8		Rev
						Ind
						Cont
						-