

PRODUCT BROCHURE

PCS100 AVC-20 250 kVA - 3000 kVA

Active Voltage Conditioner
for voltage regulation



- Increase your operational reliability
- Continuous protection from under and overvoltage
- Reduce your costs

Active Voltage Conditioner for voltage regulation

Designed for use in industrial and large commercial operations in environments where an unstable network or utility voltage affects productivity.

01 PCS100 AVC-20
Single line diagram

Benefits to your business

Increase your operational reliability

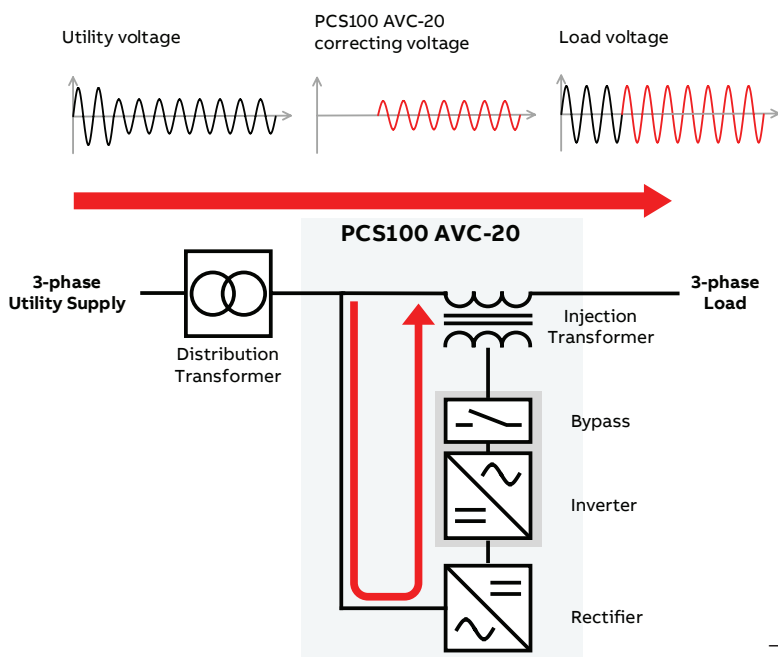
- Achieve consistent processes
- Increase the lifetime of your equipment
- Experience fewer equipment malfunctions
- Improve the quality of your products and services
- Reduce your usage of expensive critical back-up systems

A fluctuating voltage supply affects your productivity and the consistency of your operations, leading to a reduction in the quality of your products and services. Fluctuating voltage also leads to increased wear on machinery components, resulting in a greater number of malfunctions and a reduced life expectancy of your equipment. The PCS100 AVC-20's fast, accurate voltage regulation secures your productivity by improving consistency in your operations and reducing the impact of fluctuating voltage on your equipment and production.

Reduce your costs

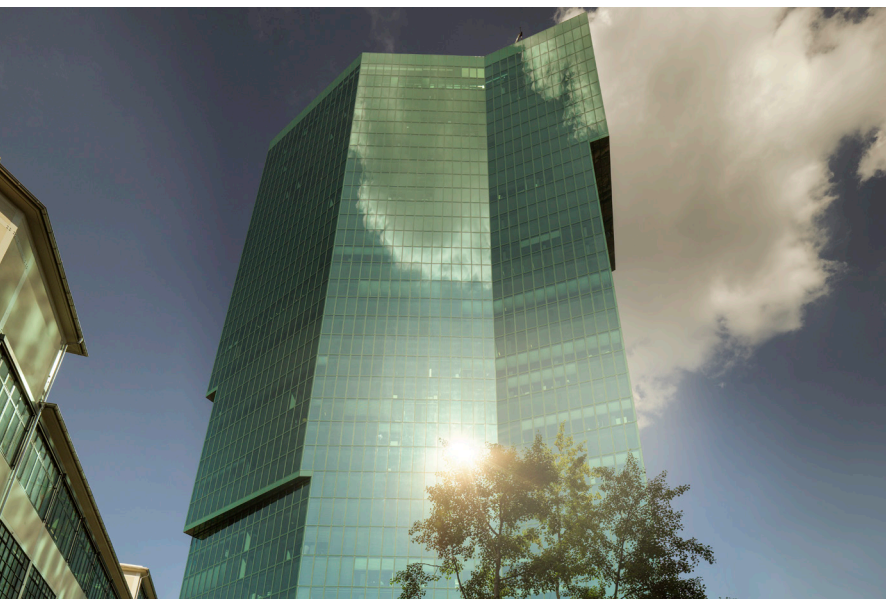
- Optimize your energy usage
- Improves motor efficiency
- Better use of your resources
- Increase your usage of cheaper utility power

Brownouts, over-voltages and an unbalanced voltage supply cause motors in your equipment and machinery to function inefficiently and can result in poor use of resource, in terms of staff, materials and energy consumption. It can also cause reliance on costly back-up systems, such as diesel generators. The PCS100 AVC-20 ensures a regulated supply of voltage, helping you to streamline your operations and optimize your resource to reduce wasted capacity and improve the return on your operational investment. At the same time, the PCS100 AVC-20 allows you to use utility power, resulting in a cost saving on power generation from captive power plants.



Complete power protection of commercial and industrial loads

The PCS100 AVC-20 ensures a continual, regulated supply of utility voltage where the electric infrastructure is stressed, unstable or unreliable.



Typical applications

• Commercial

- Hotels and resorts
- Embassies
- Sports stadiums
- Office buildings
- Entertainment
- Remote locations
- Medical equipment

• Industrial

- Manufacturing
- Assembly
- Chemical
- Petrochemical
- Food and beverage
- Oil and Gas
- Printing
- Pulp and Paper

For further technical information, please refer to the PCS100 AVC-20 Technical Catalogue.

Technical specifications

Utility – Input	
Power range	250 – 3000 kVA
Rated voltage	380 V - 415 V, 3 phase
Performance	
Efficiency	Typically >98%
Voltage variation detection time	250 μs
Voltage regulation time	<20 ms for any voltage deviation within the specification
Continuous regulation	
Undervoltage	-15% (load power factor 1.0) -20% (load power factor 0.75)
Overvoltage	+20%



—

ABB Limited

Power conditioning products

Email: powerconditioning@abb.com

Visit: www.abb.com/ups