

—
INSTALLATION INSTRUCTION

Switch Disconnectors

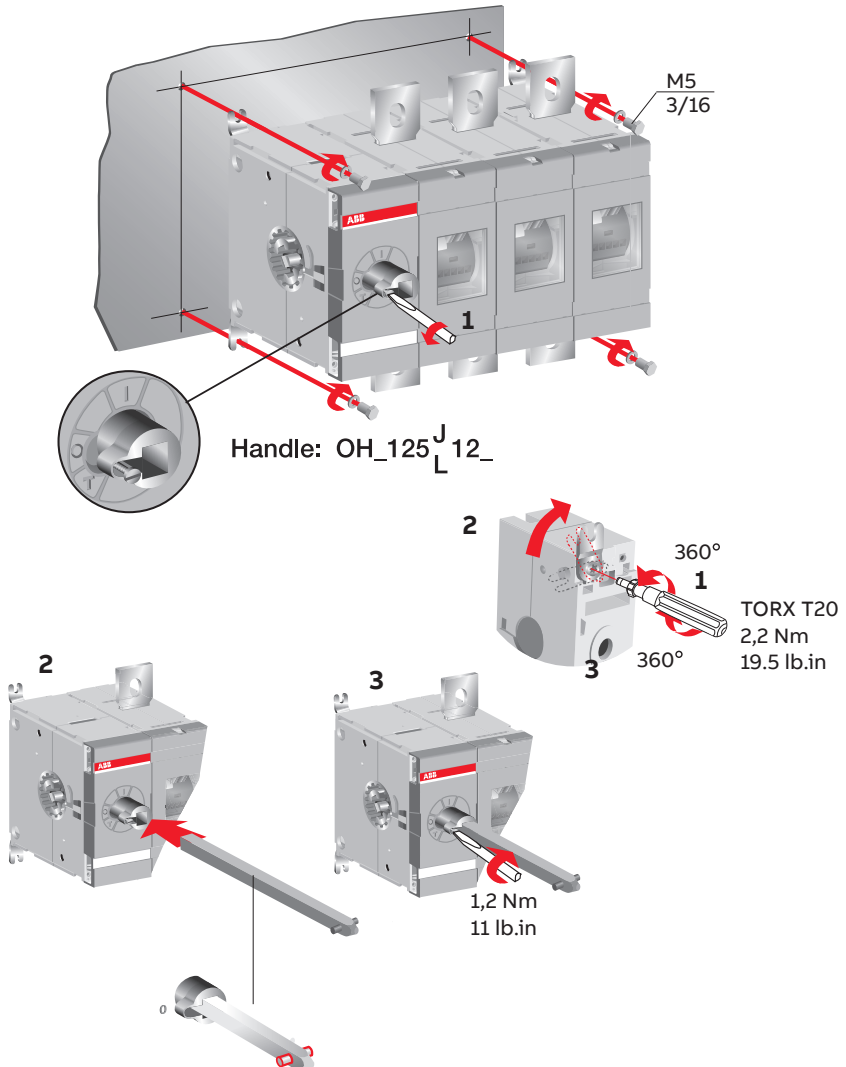
OT630-800E, OT600U



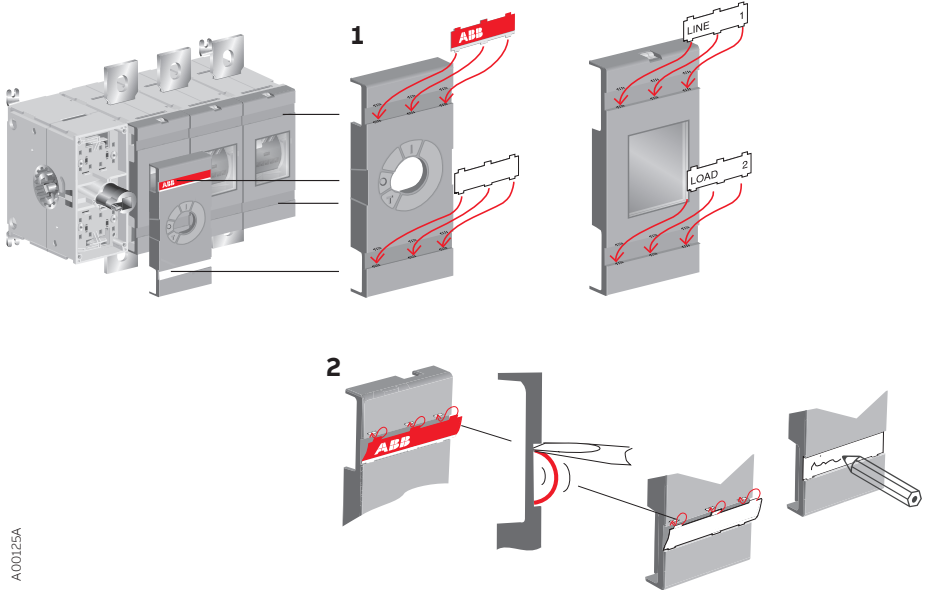
Table of contents

03	Installation
04	Labels
05	Terminal clamps OZX_
06	Terminal shrouds OTS_
07	Phase separators OTB_ Clearances per UL
08	Auxiliary contacts OA_
09	Module for aux contacts OEA28
10	Fourth pole OTZ_
11	Direct mount handle OTV_
12	Interlocking OTZT3
13–14	Dimension drawings
15	Warning table

Installation



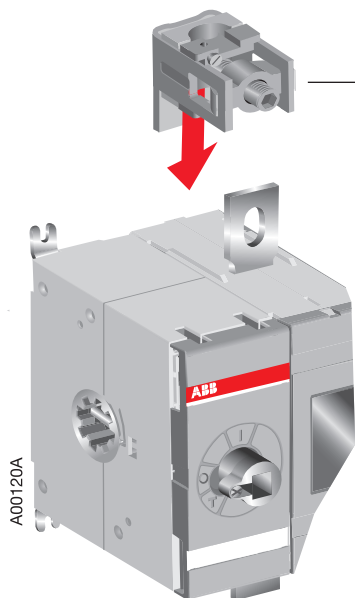
Labels



A00125A

Terminal clamps

OZX_



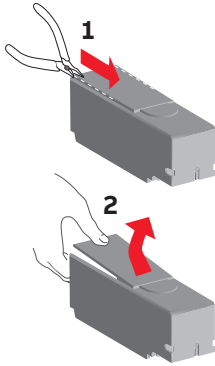
OT630_
OT800_
OZXB3
OZXB4
OZXB5
OZXB6
OZXB7L

OT600U_
OZXA800_
OZXA806_

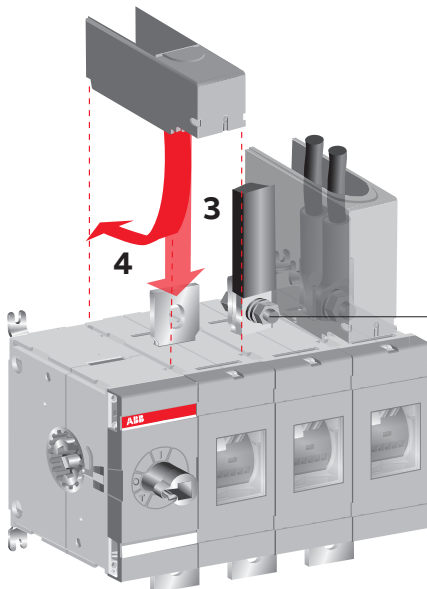
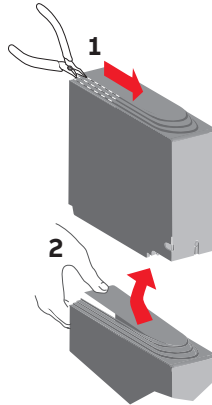
Terminal shrouds

OTS_

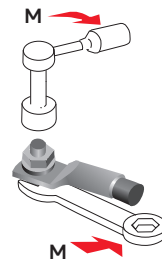
OTS800^G_{T1S}



OTS800^G_{T1L}



M12 50...75 Nm
443-664 lb.in

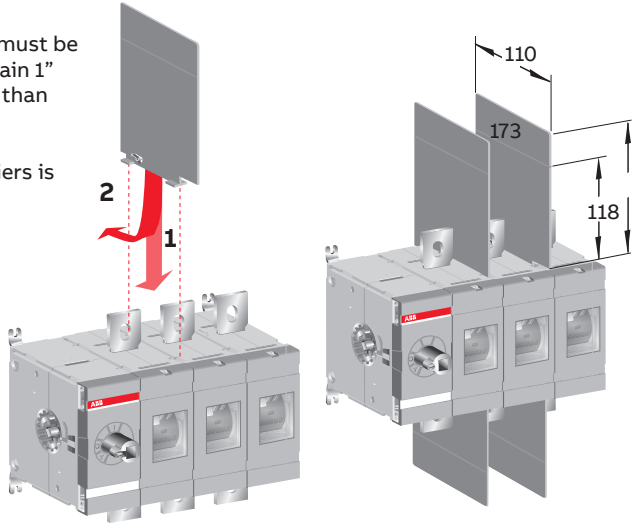


Phase separators

OTB_

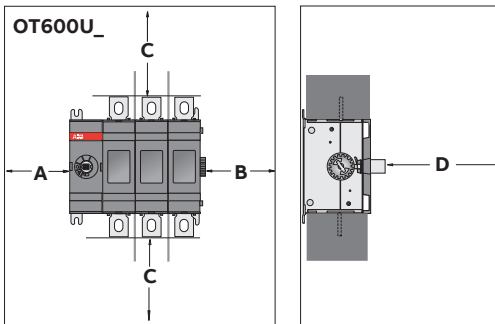
Barriers 68838 or shrouds must be used on OT600U_ to maintain 1" clearance, if lugs are wider than 39 mm (1.54 in).

Type for package of 6 barriers is OTB 800/6.



A00127A

Clearances per UL98



Minimum enclosure size or equivalent volume

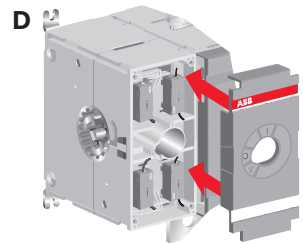
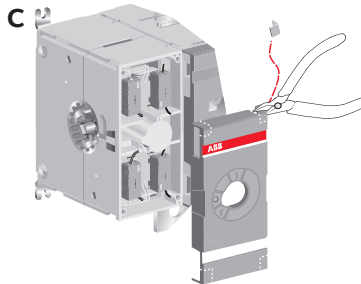
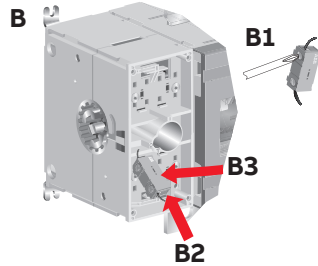
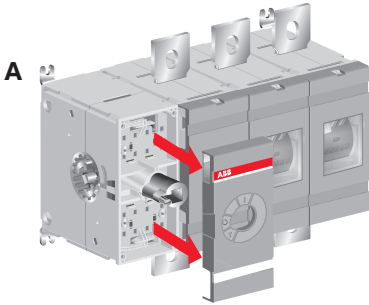
Current	Height	Width	Depth
575 A	610	508	254
600 A	600	700	300

A	B	D
0	13 mm / 0.5 in	13 mm / 0.5 in

AWG	C	MCM	C
2	100 mm 4 in	250	200 mm 8 in
1	100 mm 4 in	300	250 mm 10 in
1/0	125 mm 5 in	350	300 mm 12 in
2/0	150 mm 6 in	400	330 mm 13 in
3/0-4/0	175 mm 7 in	500	356 mm 14 in
		600	381 mm 15 in

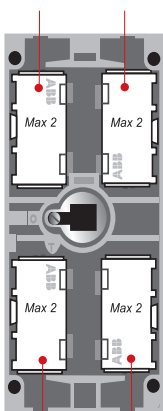
Auxiliary contacts

OA_

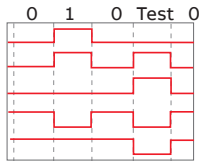


NO: OA1G10
NC: OA3G01

Test contact

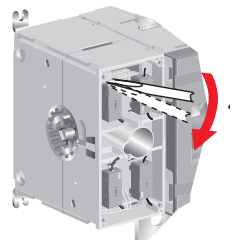


Test indication contact



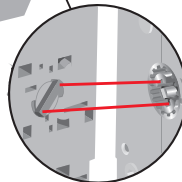
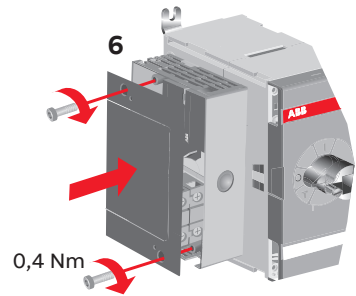
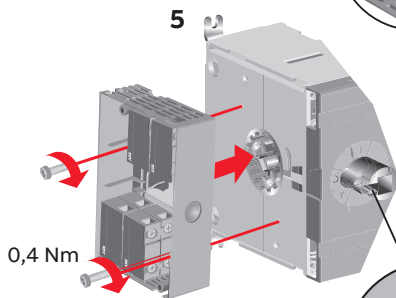
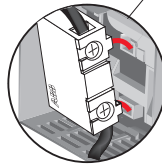
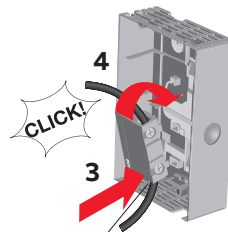
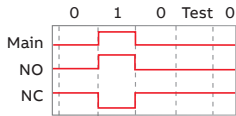
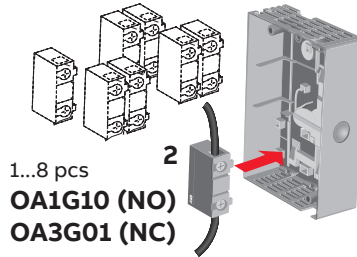
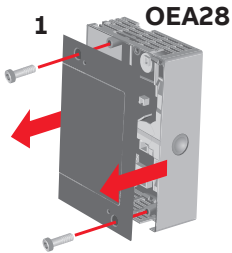
Main contact
Test contact (NO)
Test indication contact (NO)
Test contact (NC)
Test indication contact (NC)

Remove

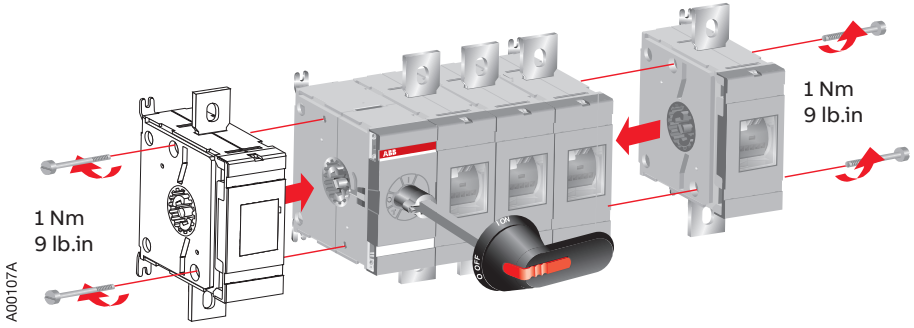


Module for aux contacts

OEA_



Fourth pole OTZ_



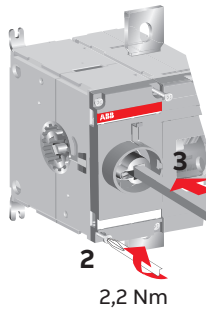
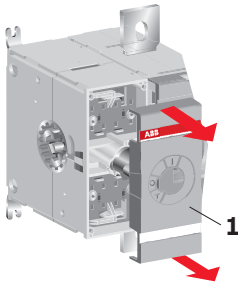
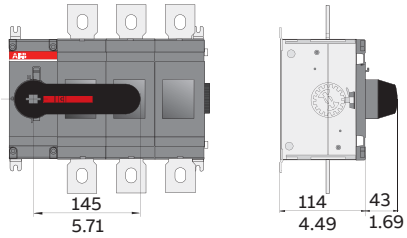
Direct mount handle

OTV_

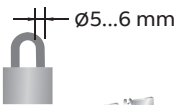
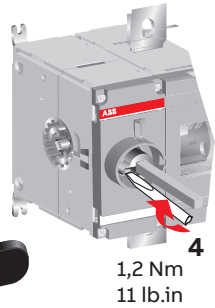
OTV800EK



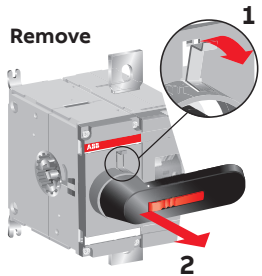
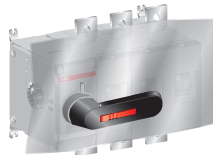
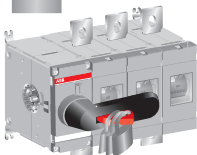
OT630_800E01_04



CLICK!



Note: Use protection against direct contact. For example:



00230A

Interlocking OTZT3

OTZT3_



1

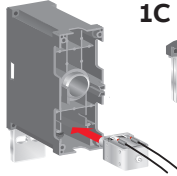
1A

Flat connection
6,3-0,8
(DIN 46244)

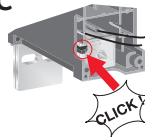


The cable is not included in the delivery

1B

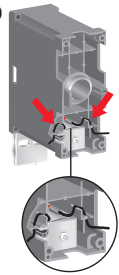


1C

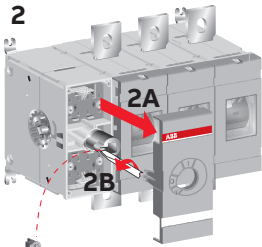


CLICK

1D



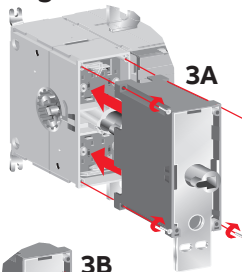
2



2A

2B

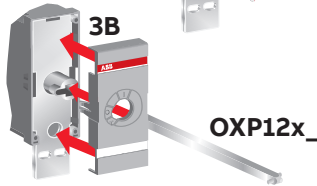
3



3A

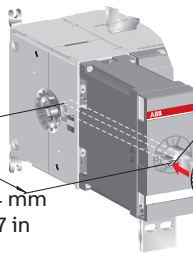
4 Nm 35 lb.in
Torx 20

3B



OXP12x_

4



4A

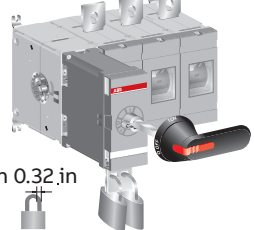
1,2 Nm
11 lb.in

4B

Handle: OH_125_12_

ΔNOTE:
min. 94 mm
3.7 in

Locking

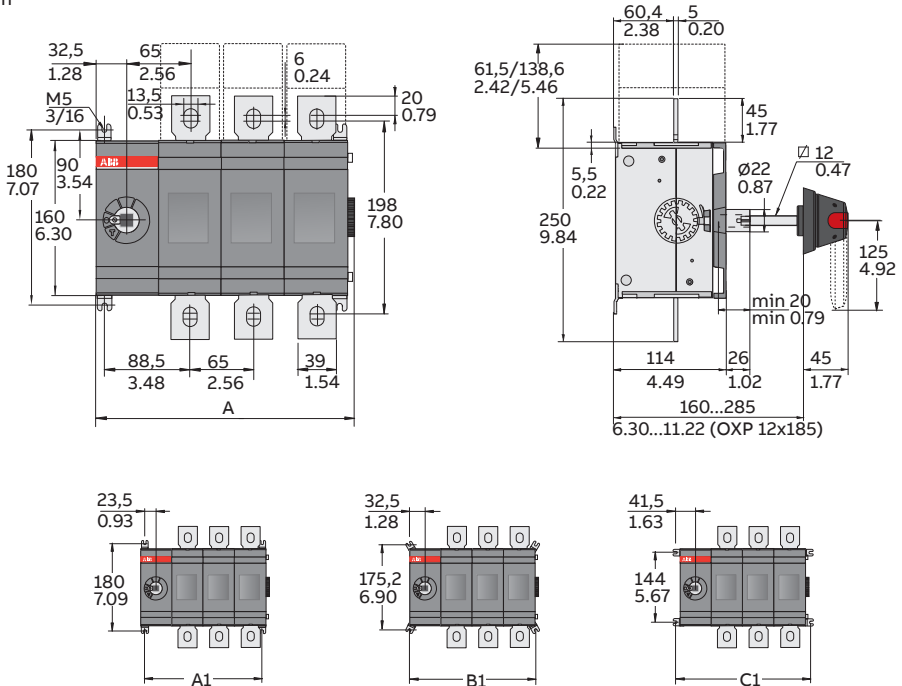


Ø8 mm 0.32 in

Dimension drawing

OT600-800_01-04

mm
in

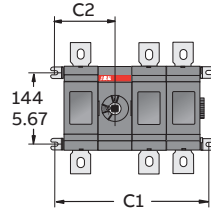
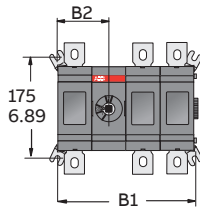
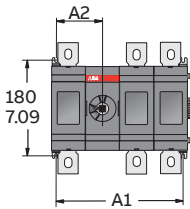
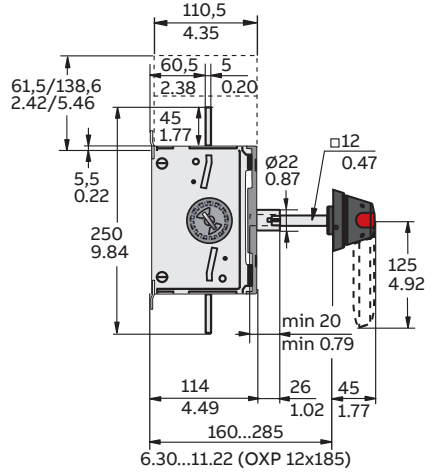
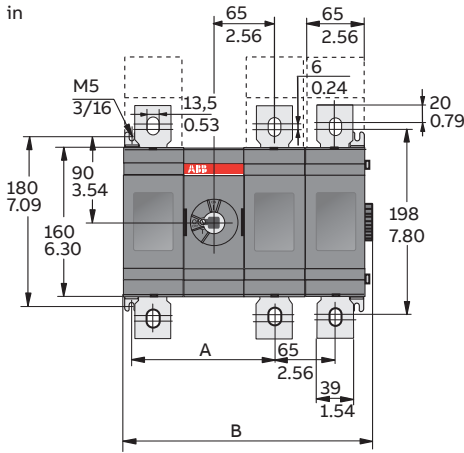


mm in	OT600/630/800			
	E01/U01	E02/U02	E03/U03	E04/U04
A	136/5.35	201/7.91	266/10.47	331/13.03
A1	112/4.41	177/6.97	242/9.53	307/12.09
B1	130/5.12	195/7.68	260/10.24	325/12.80
C1	148/5.83	213/8.39	278/10.95	343/13.50

Dimension drawing

OT600-800_11-22

mm
in



		OT600/630/800					
mm		E11	E12	E13	E22	E23	E33
A		153,5/6.04	153,5/6.04	153,5/6.04	218,5/8.60	218,5/8.60	283,5/11.16
B		201/7.91	266/10.47	331/13.03	331/13.03	396/15.59	461/18.15
A1		177/6.97	242/9.53	307/12.09	307/12.09	372/14.65	437/17.20
A2		88,5/3.48	88,5/3.48	88,5/3.48	153,5/6.04	153,5/6.04	218,5/8.60
B1		195/7.68	260/10.24	325/12.80	325/12.80	390/15.35	455/17.91
B2		97,5/3.84	97,5/3.84	97,5/3.84	162,5/6.40	162,5/6.40	227,5/8.96
C1		213/8.39	278/10.94	343/13.50	343/13.50	408/16.06	473/18.62
C2		106,5/4.19	106,5/4.19	106,5/4.19	171,5/6.75	171,5/6.75	236,5/9.31



BG	Внимание! Опасно напрежение! Да се монтира само от лице с електротехническа квалификация.
FR	Avertissement! Tension électrique dangereuse! Installation uniquement par des personnes qualifiées en électrotechnique.
MT	Twissija! Voltaġġ perikoluż! Għandu jiġi installat biss minn persuna b'kompetenza elettroteknika.
HR	Upozorenje! Opasan napon! Postavljati smije samo elektrotehnički stručnjak.
DE	Warnung! Gefährliche Spannung! Installation nur durch elektrotechnische Fachkraft.
PL	Ostrzeżenie! Niebezpieczne napięcie! Instalacji może dokonać wyłącznie osoba z fachową wiedzą w dziedzinie elektrotechniki.
CZ	Varování! Nebezpečné napětí! Montáž smí provádět výhradně elektrotechnik!
EL	Προειδοποίηση! Υψηλή τάση! Η εγκατάσταση πρέπει να γίνεται μόνο από εξειδικευμένους ηλεκτροτεχνικούς.
PT	Aviso! Tensão perigosa! A instalação só deve ser realizada por um electricista especializado.
DA	Advarsel! Farlig elektrisk spænding! Installation må kun foretages af personer med elektroteknisk ekspertise.
HU	Figyelmeztetés! Veszélyes feszültség! Csak elektrotechnikai tapasztalattal rendelkező szakember helyezheti üzembe.
RO	Avertizare! Tensiune periculoasă! Instalarea trebuie efectuată numai de către o persoană cu experiență în electrotehnică.
NL	Waarschuwing! Gevaarlijke spanning! Mag alleen geïnstalleerd worden door een deskundige elektrotechnicus.
IE	Rabhadh! Voltas guaiseach! Ba chóir do dhuine ag a bhfuil saineolas leictreiteicniúil, agus an té sin amháin, é seo a shuiteáil.
FI	Varoitus! Vaarallinen jännite! Asennuksen voi tehdä vain sähköalan ammattihenkilö.
EN	Warning! Hazardous voltage! Installation by person with electrotechnical expertise only.
IT	Avvertenza! Tensione pericolosa! Fare installare solo da un elettricista qualificato.
SL	Opozorilo! Nevarna napetost! Vgradnjo lahko opravi le oseba z elektrotehničnim strokovnim znanjem.
ET	Hoiatus! Ohtlik pinge. Paigaldada võib ainult elektrotehnikalaane ekspert.
LV	Uzmanību! Bīstami - elektrība! Montāžas darbus drīkst veikt tikai personas, kurām ir atbilstošas elektrotehniskās zināšanas.
ES	¡Advertencia! ¡Tensión peligrosa! La instalación deberá ser realizada únicamente por electricistas especializados.
FI	Varoitus! Vaarallinen jännite! Asennuksen voi tehdä vain sähköalan ammattihenkilö.
LT	Dėmesio! Pavojinga įtampa! Dirbti leidžiama tik elektrotechniko patirties turintiems asmenims.
SE	Varning! Farlig spänning! Installation får endast utföras av en elektriker.
CN	警告！电压危险！只能由专业电工进行安装。
RU	Осторожно! Опасное напряжение! Монтаж должен выполняться только специалистом-электриком.



Contact us

ABB Oy

P.O. Box 622
FI-65101 Vaasa
Finland

abb.com/lowvoltage