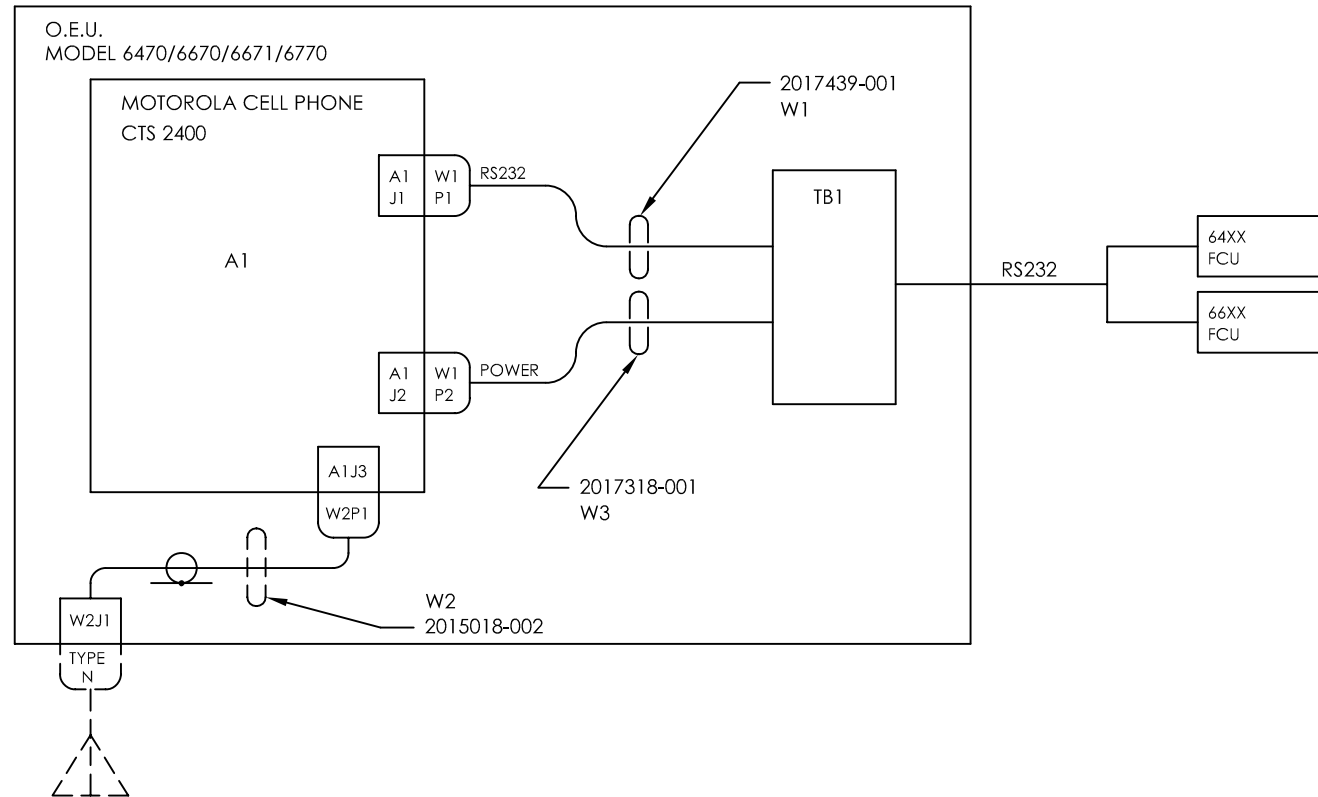


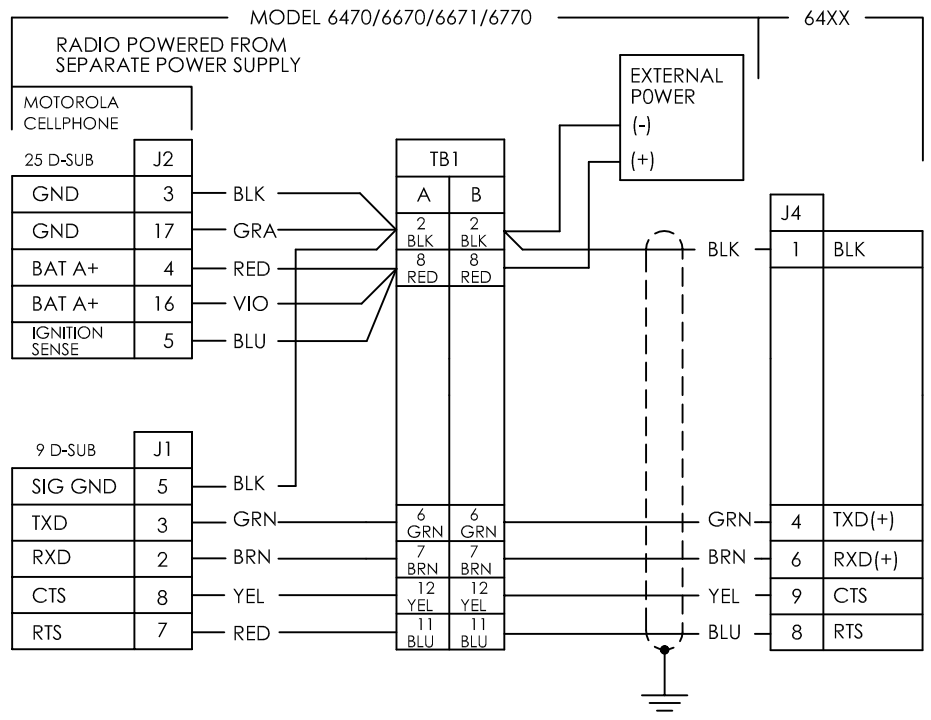
NOTES:

1. MAXIMUM BAUD RATE IS 9600 (RS232)
2. EXTERNAL POWER REQUIRED. RECEIVER MUST BE ON AT ALL TIMES.

REVISIONS					
REV	ACTION	DRAWN	CHECKED	APPROVED	DATE
AD	D12431	KASTNER	KASTNER	HOLLAND	01/12/13
AE	D20708	KASTNER	KASTNER	BUSHNELL	07/08/23
AC	D6842	TIERNEY	TIERNEY	HOLLAND	99/03/17



ASSEMBLY/QUANTITY	ITEM NO.	PART NUMBER	DESCRIPTION	REF/ZONE DESIG MATERIAL	UNIT MEAS
PARTS LIST					
DO NOT SCALE DRAWING		UNLESS OTHERWISE SPECIFIED DIMENSIONS ARE IN INCHES		PRODUCT LINE TOTALFLOW ©	
THIRD ANGLE PROJECTION		TOLERANCES ARE: DECIMAL ANGULAR		LEVEL 3	
		.XX ± --      ± -- .XXX ± --      --		<b>ABB</b> TOTALFLOW Products	
BREAK ALL SHARP CORNERS AND EDGES DIMENSIONS APPLY BEFORE FINISH		DESIGN: G. HOLLAND DRAWN: A. KASTNER CHECKED: A. KASTNER APPROVED: G. HOLLAND		DATE: 98/02 DATE: 98/03/20 DATE: 98/3/20 DATE: 98/3/20	
		TITLE: WIRING & INTERCONNECT MOTOROLA CELLPHONE IN O.E.U. WI		SCALE: NONE    SIZE: B    DOC: WI    DRAWING NO.: 2017316    REV: AE    SHEET: 1 OF 3	



MODEL 6470/6670/6671/6770

6610, 6611, 6612

RADIO POWERED FROM SEPARATE POWER SUPPLY

FCU W/COMM INTERFACE

2000003-001  
2012878-001  
2015133-001

FCU W/VCI  
2010283-002

FCU W/EXPIO  
2011690-002  
2012901-002/004

FCU W/EXPIO  
2017333-001  
W/RS232 COMM MODULE  
2017475-004/005  
2015452-002

MOTOROLA CELLPHONE	
25 D-SUB	J2
GND	3
GND	17
BAT A+	4
BAT A+	16
IGNITION SENSE	5

9 D-SUB	
	J1
SIG GND	5
TXD	3
RXD	2
CTS	8
RTS	7

EXTERNAL POWER  
(-)  
(+)

TB1	
A	B
2 BLK	2 BLK
8 RED	8 RED
6 GRN	6 GRN
7 BRN	7 BRN
12 YEL	12 YEL
11 BLU	11 BLU

TERM PCBA 2010232-001	
TB1	
1	SHLD
3	BLK
20	V-BAT
5	GRN
6	BRN
4	WHT
10	YEL
7	RED

TERM PCBA 2010232-001	
TB1	
1	SHLD
3	BLK
20	V-BAT
5	GRN
6	BRN
4	WHT
9	ORN
10	YEL
7	RED

TERM PCBA 2010232-001	
TB1	
1	SHLD
3	BLK
20	V-BAT
5	GRN
6	BRN
4	WHT
9	ORN
10	YEL
7	RED

TERM PCBA 2010232-001	
TB1	
1	SHLD
3	BLK(GND)
20	V-BATT
5	GRN(TXD)
6	BRN(RXD)
9	ORN(CTD)
10	YEL(CTS)
7	RED(RTS)

JUMPER  
2011753-001

JUMPER  
2011753-001