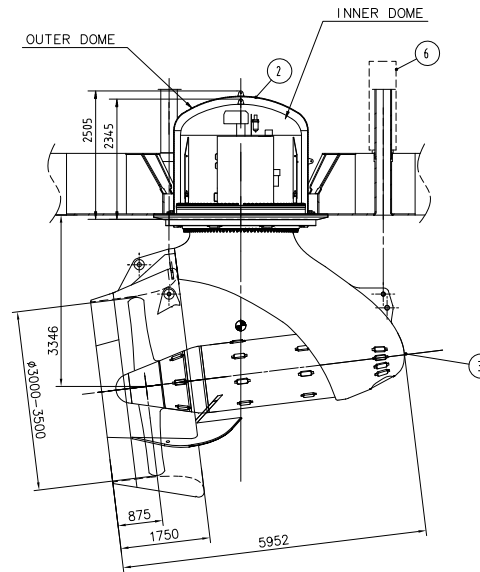
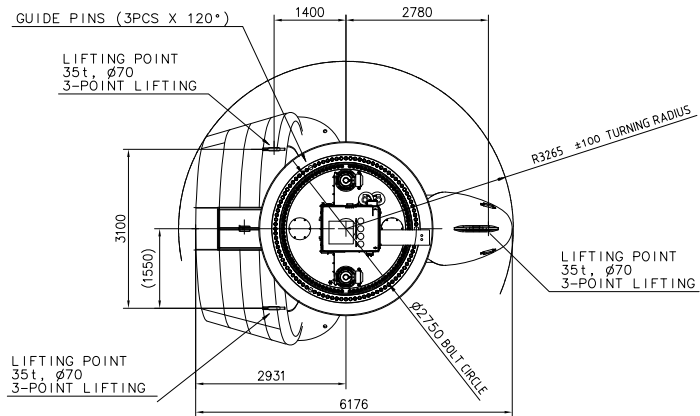
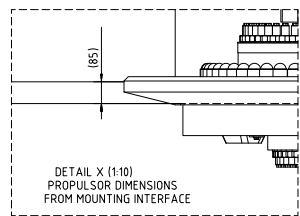


DURING INSTALLATION



THIS DRAWING IS INTENDED TO BE USE IN PRELIMINARY SHIP DESIGN.

- 1) AZIPOD ASSEMBLY RING (OPTION) 3390 kg
- 2) OUTER DOME (OPTION) 2500 kg
- 3) PROPULSOR (INCLUDES INNER DOME) 62500 kg
- 4) STEERING MOTORS 2x330 kg
- 5) JB1, JB3, AUXILIARY CABINET 800 kg
- 6) STEERING DRIVE CABINETS 2x500 kg



NOTE:
FOR DETAIL INTERFACE INFORMATION SEE INTERFACE DRAWING.

PROPULSOR WEIGHT IN AIR: 62 500kg
WEIGHT UNDER WATER (DURING LIFTING AND INSTALLATION): 37 500kg

Prepared 2013-01-15 S. ELMIKÄINEN	Separate part list with separate No. <input type="checkbox"/>	Title PROPULSOR MAIN DIMENSIONS	Scale 1:50
Reviewed 2013-01-16 H. KOLISOJA	Responsible department VAC	Original dwg	Language EN
Approved 2013-01-16 P. SÄKKINEN	Order No. AH	Weight 70850	Mounting Size A1
Distribution	Functional code	Type AZIPOD CZ1250-R2300	Revision Sheet A 1/1
ABB Marine & Turbocharging, Helsinki		Document No. 3AFV3306293	AutoCAD

The number of copies of this document and the quantity of drawings shall be determined by the customer. The customer is responsible for the quantity of copies and drawings. The customer is responsible for the quantity of copies and drawings. The customer is responsible for the quantity of copies and drawings.