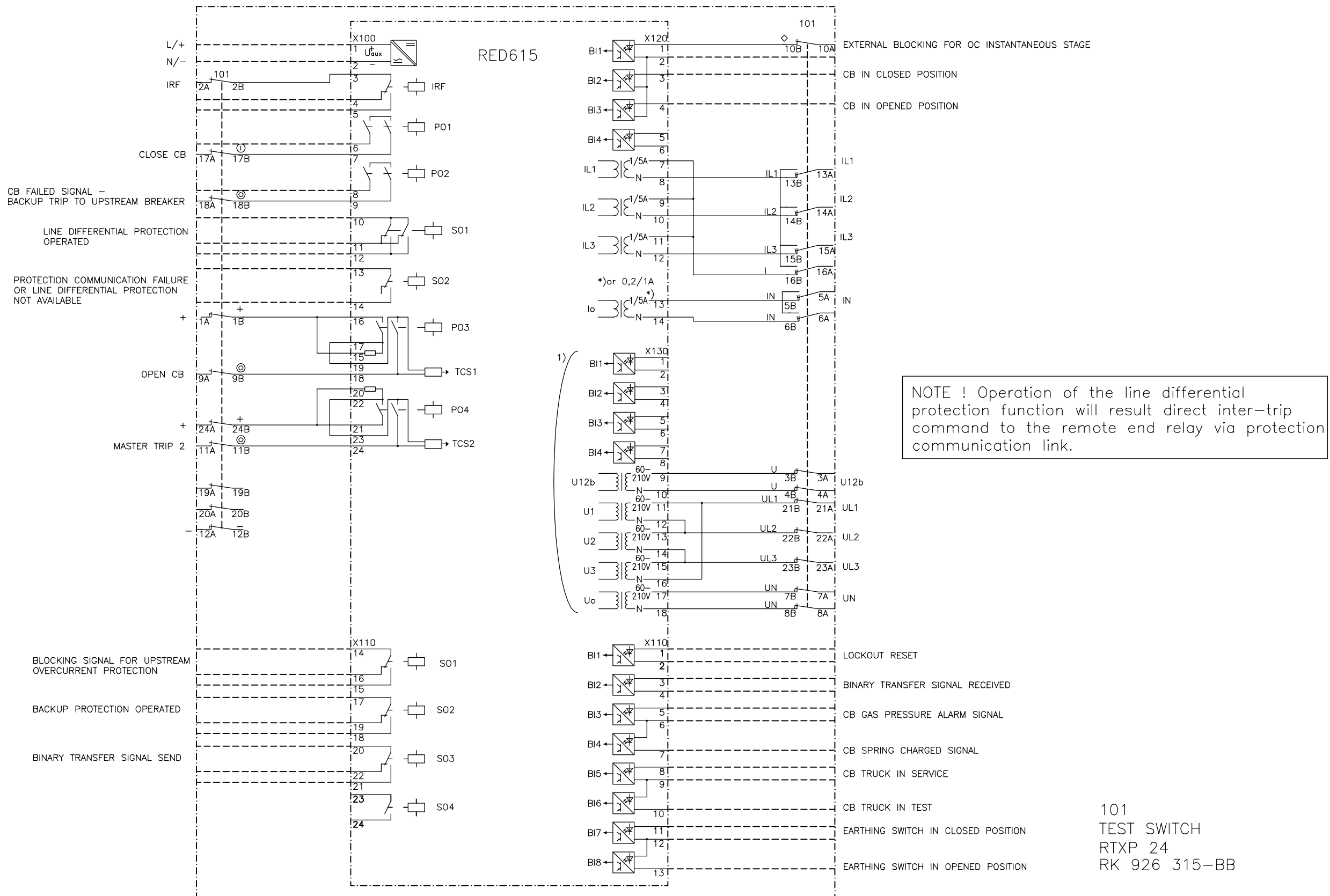


We reserve all rights in this document and in the information contained therein. Reproduction, use or disclosure to third parties without express authority is strictly forbidden. © ABB Oy.



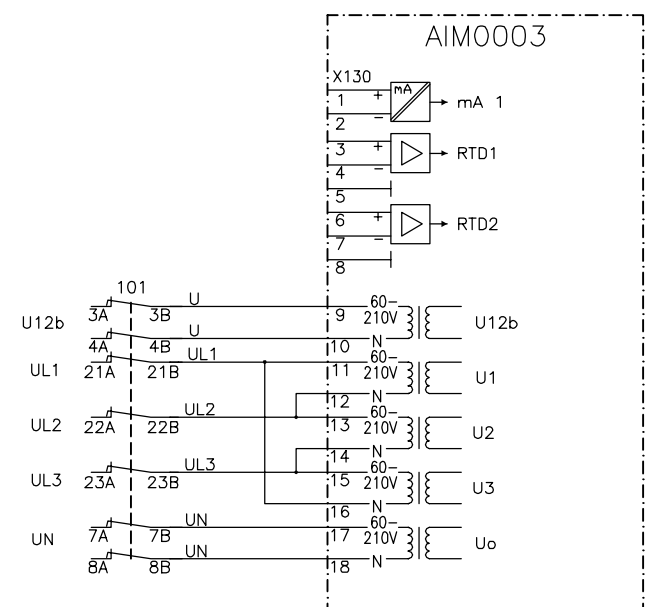
NOTE ! Operation of the line differential protection function will result direct inter-trip command to the remote end relay via protection communication link.

1) AIM0006 (5U+BI). Alternative module AIM0003 (5U+2RTD+1mA)

TEKI PREPARED 19.08.2015 S.Björklund	LITTTY CONCERNING	NIMITYS NAME TERMINAL DIAGRAM	
TARKASTI CHECKED Juhani Koivupuro	TOLERANSSIT TOLERANCES	RED615 LINE DIFFERENTIAL RELAY CONFIGURATION DE04 (D) 5.0 FP1	
HYVÄKSY APPROVED Tuomo Rintamäki	SUHDE SCALE	PROJ	LEHTI SHEET 1/2
	ABB Technology Ltd.	OSASTO DEPT. RSG	PIIRUSTUS NO DRAWING NO 2RCA037141
			PAINOS REVISION A

MUUTOS REVISION	C
	B

We reserve all rights in this document and in the information contained therein. Reproduction, use or disclosure to third parties without express authority is strictly forbidden. © ABB Oy.



Slot X130: Alternative module AIM0003 (5VT+2RTD+1mA)

101
TEST SWITCH
RTXP 24
RK 926 315-BB

MUUTOS REVISION
C
B

TEKI PREPARED 19.08.2015 S.Björklund	LIITTY CONCERNING	NIMITYS NAME TERMINAL DIAGRAM		
TARKASTI CHECKED Juhani Koivupuro	TOLERANSSIT TOLERANCES	RED615 LINE DIFFERENTIAL RELAY CONFIGURATION DE04 (D) 5.0 FP1		
HYVÄKSY APPROVED Tuomo Rintamäki	SUHDE SCALE	PROJ 	LEHTI SHEET 2/2	
ABB	ABB Technology Ltd.	OSASTO DEPT. RSG	PIIRUSTUS NO DRAWING NO 2RCA037141	PAINOS REVISION A