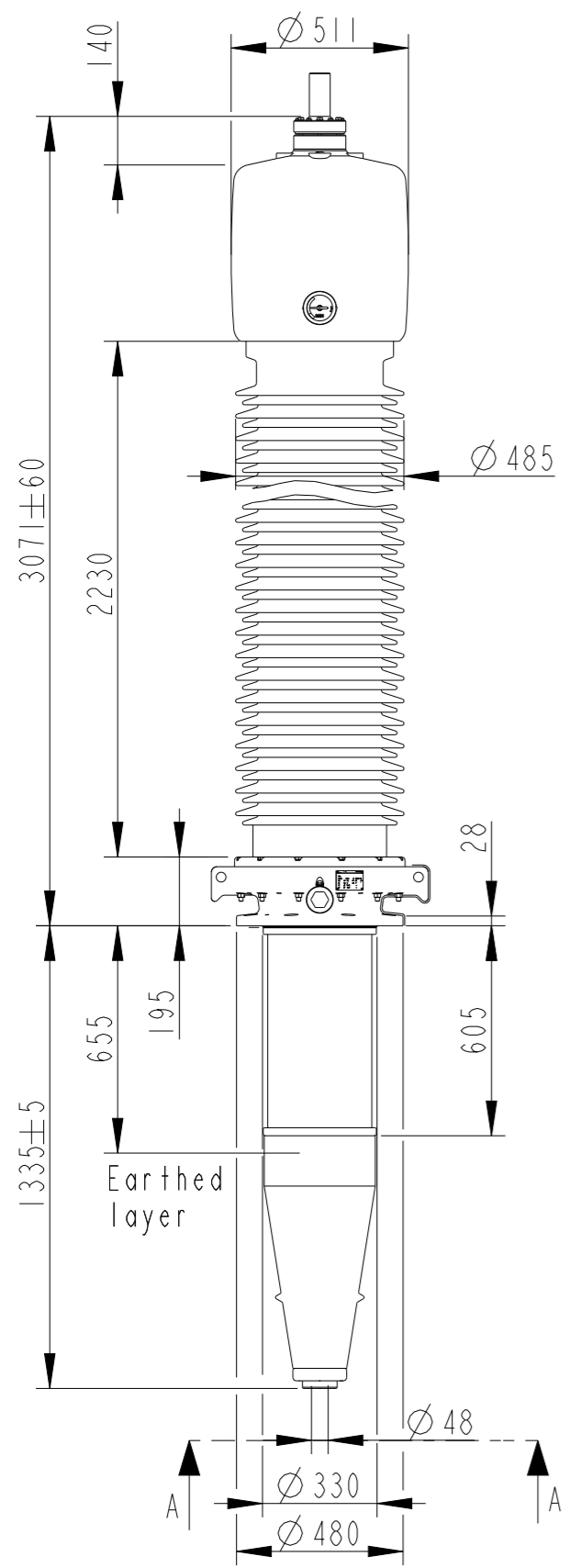


This document is issued by means of a computerized system. The digitally stored original is electronically approved. The approved document has a date entered in the "Approved"-field. A manual signature is not required.

We reserve all rights in this document and in the information contained therein. Reproduction, use or disclosure to third parties without express authority is strictly forbidden. © 2022 Hitachi Energy.

Revision	Revision text
N	Note added & rated current updated.



Bushing Data:

Rated Voltage	362 kV
Phase to-earth Voltage	209 kV
Dry Lightning Impulse 1,2/50µs	1050 kV
Wet Switching Impulse	750 kV
Wet Power frequency AC	480 kV
Routine test Imin dry 50Hz	505 kV
Rated Current	3150 A
Creepage Distance	8190 mm
Mass	785 kg

Ordering Data:

BUSHING	COLOUR AIR INSULATOR	
IZSC902245-AAB / BAB	BROWN / GREY	

OUTER TERMINAL

		Max. Rated H2 Current (A)	H2 (mm)	D2 (mm)
LF170 073-A	Al	2500	125	60
LF170 073-B	Cu	4000	125	60
LF170 073-G	Cu/Ag	4000	125	60
LF170 073-L	Cu/Sn	4000	125	60
LF170 073-BA	Cu/Ag	3000	125	2"-12UN
LF170 073-AA	Cu	5000	115	96

END-SHIELD

LF170 046-U	EPOXY INSULATED
LF170 046-UP	INSULATED WITH 3 mm PRESSBOARD

DRAW ROD SYSTEM

LF170 059	LOWER DRAW ROD WITH NI=4 OR NI=6
LF170 057	UPPER DRAW ROD

INNER TERMINAL

	D3 (mm)	D9 (mm)	Cond.area (mm ²)	Current (A) IEC	Current (A) IEEE
LF170 056-E	0 *	45	-	-	-
LF170 056-D	40	45	600	1600	1360

*) WITH PILOT HOLE D=5

N 1) GOE 1050 bushing can be used for 245 kV system voltage to meet all the requirements of Table 3, IEC 60137.

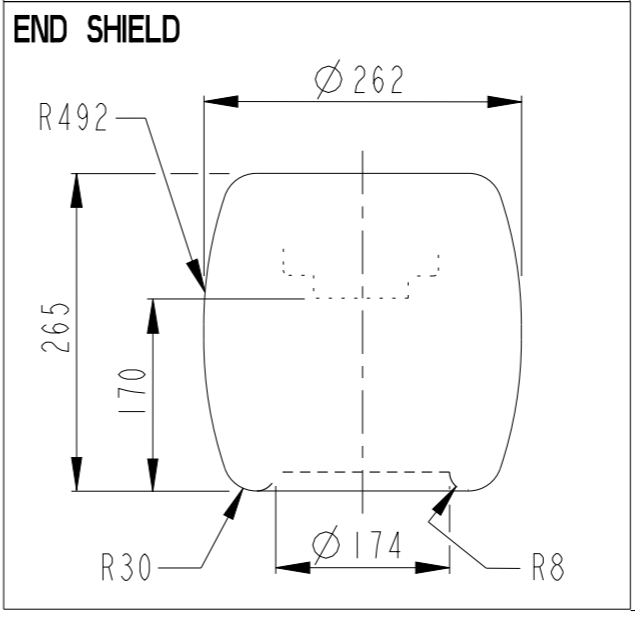
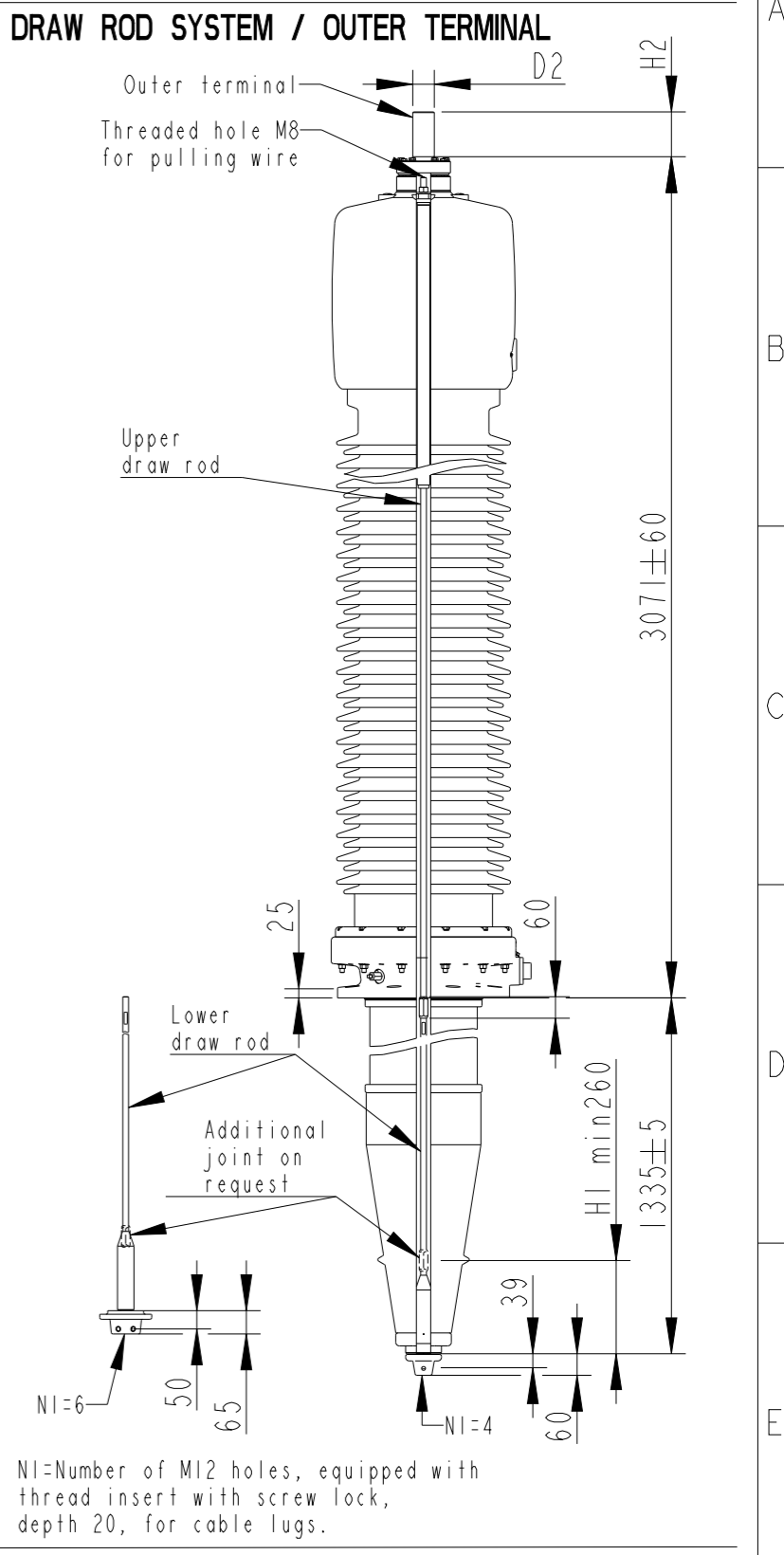
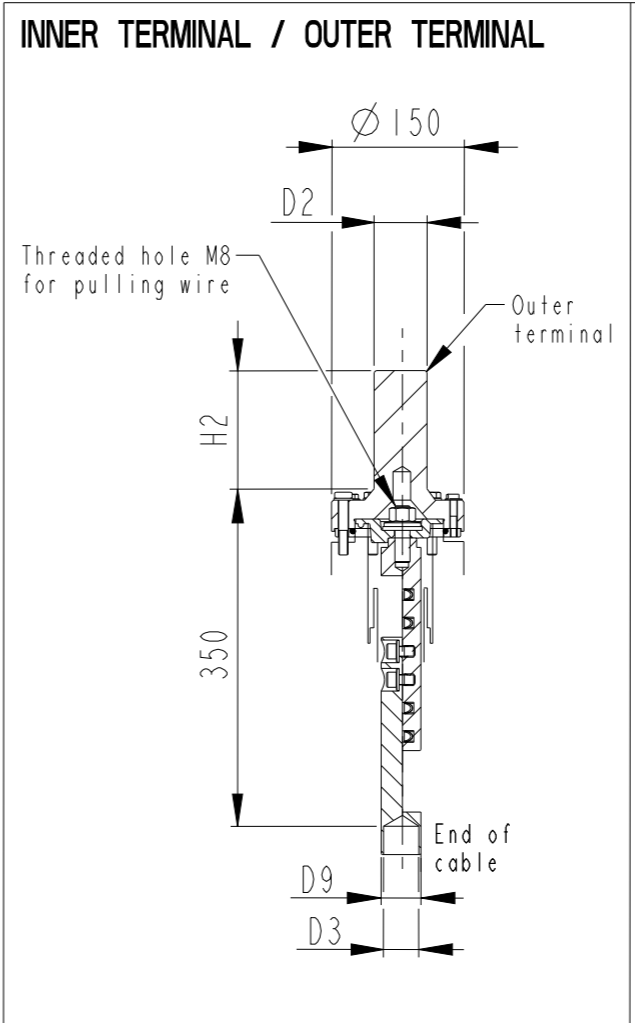
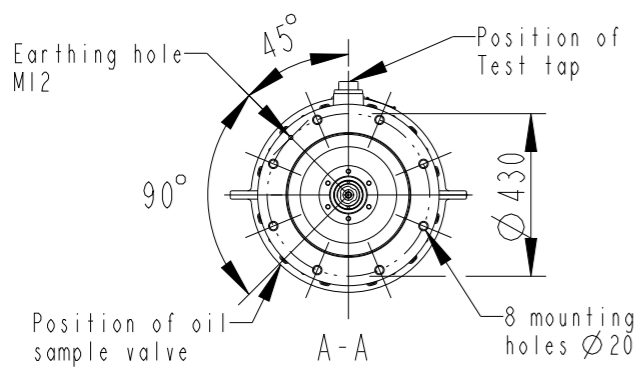


ABB		Ludvika, Sweden	
No.	Um/Uy	kV Ir	A 50/60 Hz
BIL		kV SIL	kV AC
M		kg L	mm ✓
C1		pF Tan δ	x
C2		pF Tan δ	x

DOCUMENT KIND	APPROVED	TITLE / SUPPLEMENTARY TITLE	
Dimension Drawing	2022-12-22	GOE 1050-750-3150-0.6	
RESPONSIBLE DEPARTMENT		GOE 1050-750-3150-0.6	
SEABB-9AAE300824			
RESPONSIBLE COMPANY		DOCUMENT ID	
Hitachi Energy Sweden AB		2751369-312	
		STATUS	REVISION
		Approved	N
		SHEET	1/1