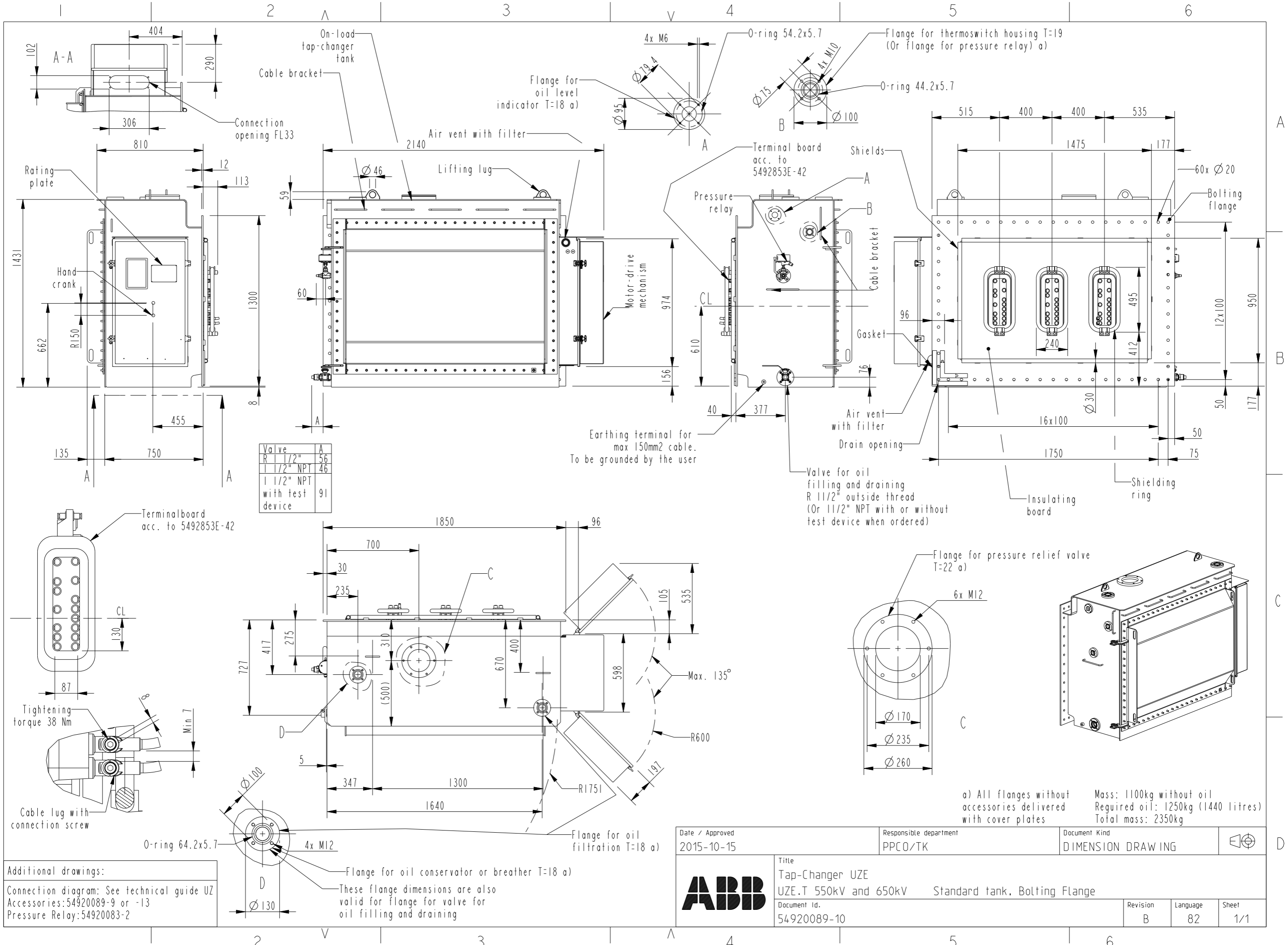



This document is issued by means of a computerized system. The digitally stored original is electronically approved. The approved document has a date entered in the "Approved"-field. A manual signature is not required.

The information contained in this document has to be kept strictly confidential. Any unauthorized use, reproduction, distribution or disclosure to third parties are strictly forbidden. ABB reserves all rights regarding Intellectual Property Rights. © Copyright 2013 ABB. All rights reserved.



a) All flanges without accessories delivered  
 Mass: 1100kg without oil  
 Required oil: 1250kg (1440 litres)  
 Total mass: 2350kg

Additional drawings:  
 Connection diagram: See technical guide UZ  
 Accessories: 54920089-9 or -13  
 Pressure Relay: 54920083-2

Date / Approved 2015-10-15	Responsible department PPCO/TK	Document Kind DIMENSION DRAWING			
Title Tap-Changer UZE UZE.T 550kV and 650kV Standard tank, Bolting Flange		Document Id. 54920089-10			