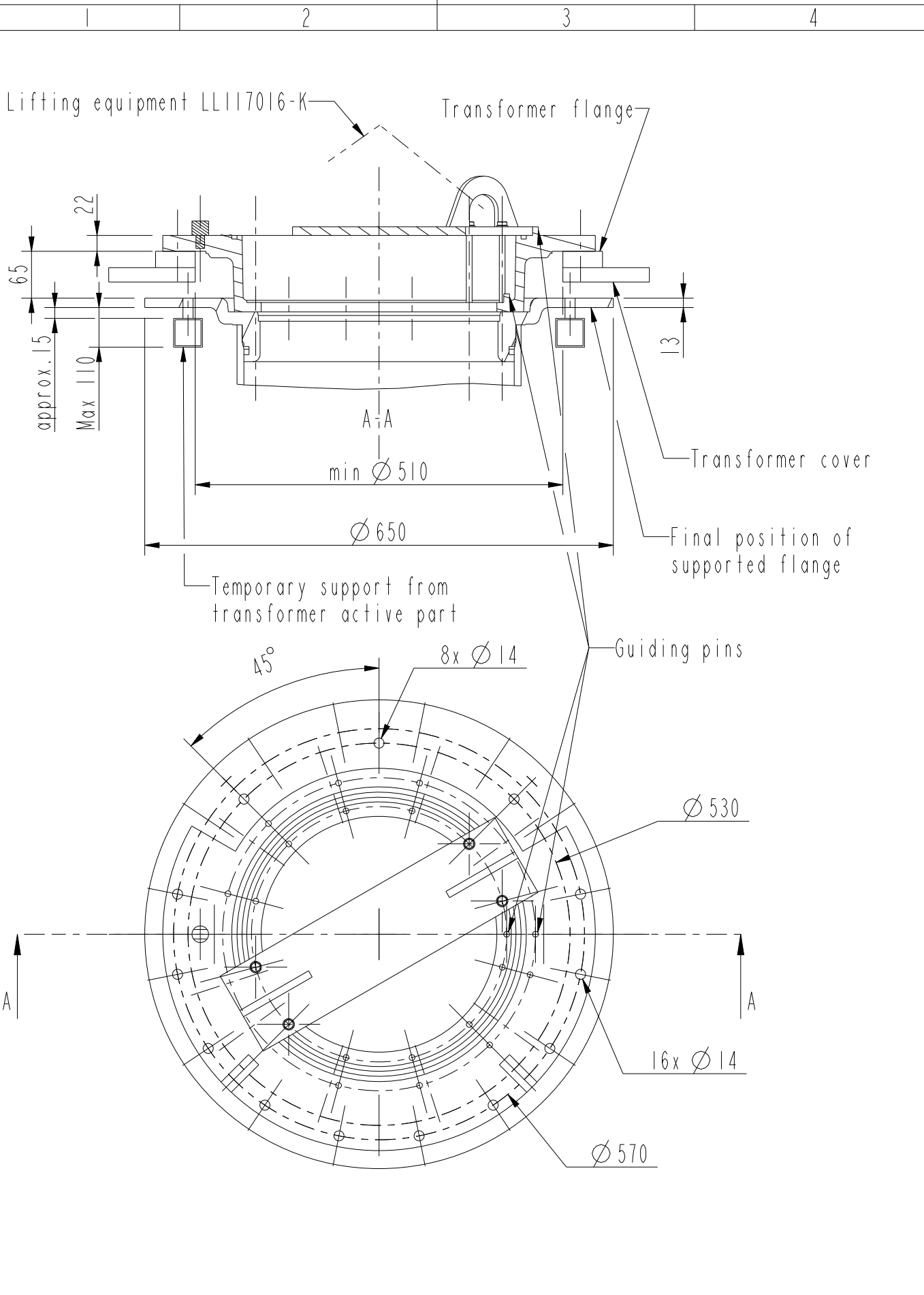




This document is issued by means of a computerized system. The digitally stored original is electronically approved. The approved document has a date entered in the 'Approved' field. A manual signature is not required.



We reserve all rights in this document and in the information contained therein. Reproduction, use or disclosure to third parties without express authority is strictly forbidden. © Copyright 2015 ABB. All rights reserved.

Date / Approved 2014-10-20		Responsible department PPT		Document Kind DIMENSION DRAWING							
		Title Mounting on active part Tap-Changer UBB				Revision A		Language 82		Sheet 1/1	
		Document Id. 54920088-8									