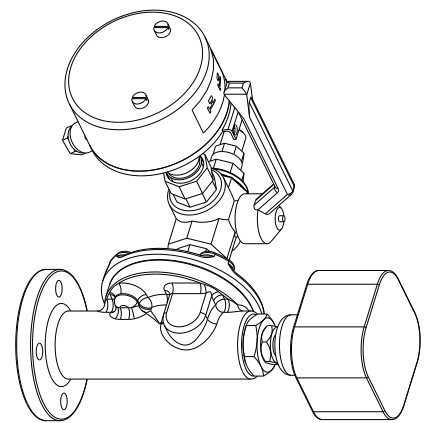
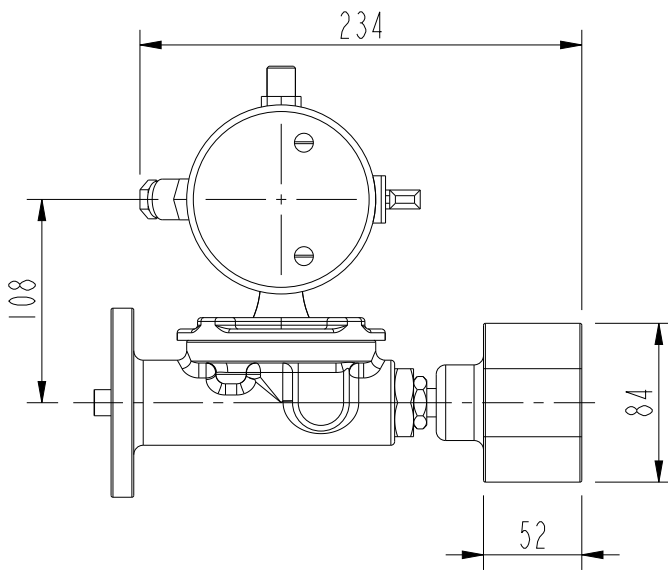
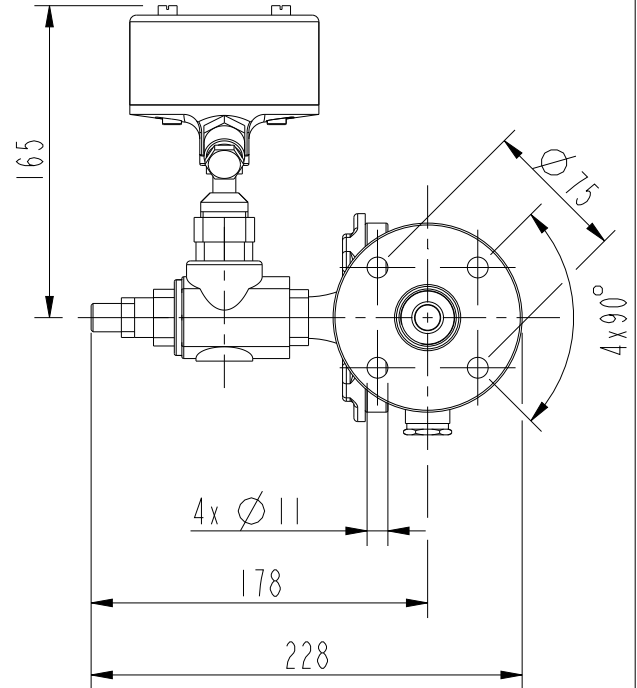
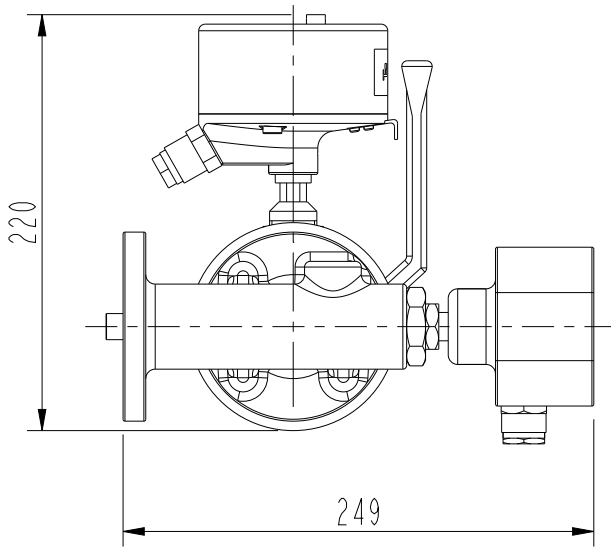


This document is issued by means of a computerized system. The digitally stored original is electronically approved. The approved document has a date entered in the 'Approved'-field. A manual signature is not required.



The information contained in this document has to kept strictly confidential. Any unauthorized use, reproduction, distribution or disclosure to third parties are strictly forbidden. ABB reserves all rights regarding Intellectual Property Rights. © Copyright 2013 ABB. All rights reserved.

Prepared	Tomas Axelsson	2012-04-12	Responsible department	PPCO/TK	Title	Tempsensor and pres. relay	Language	82
Modified by	Tomas Axelsson	2012-04-12	Take over department					
Approved by	Swen Mattsson	2014-02-07	Used in product		Order	UCG/UCL	Sheet no.	1
Revision	A				Document no.	54920083-33	No. Shts.	(1)