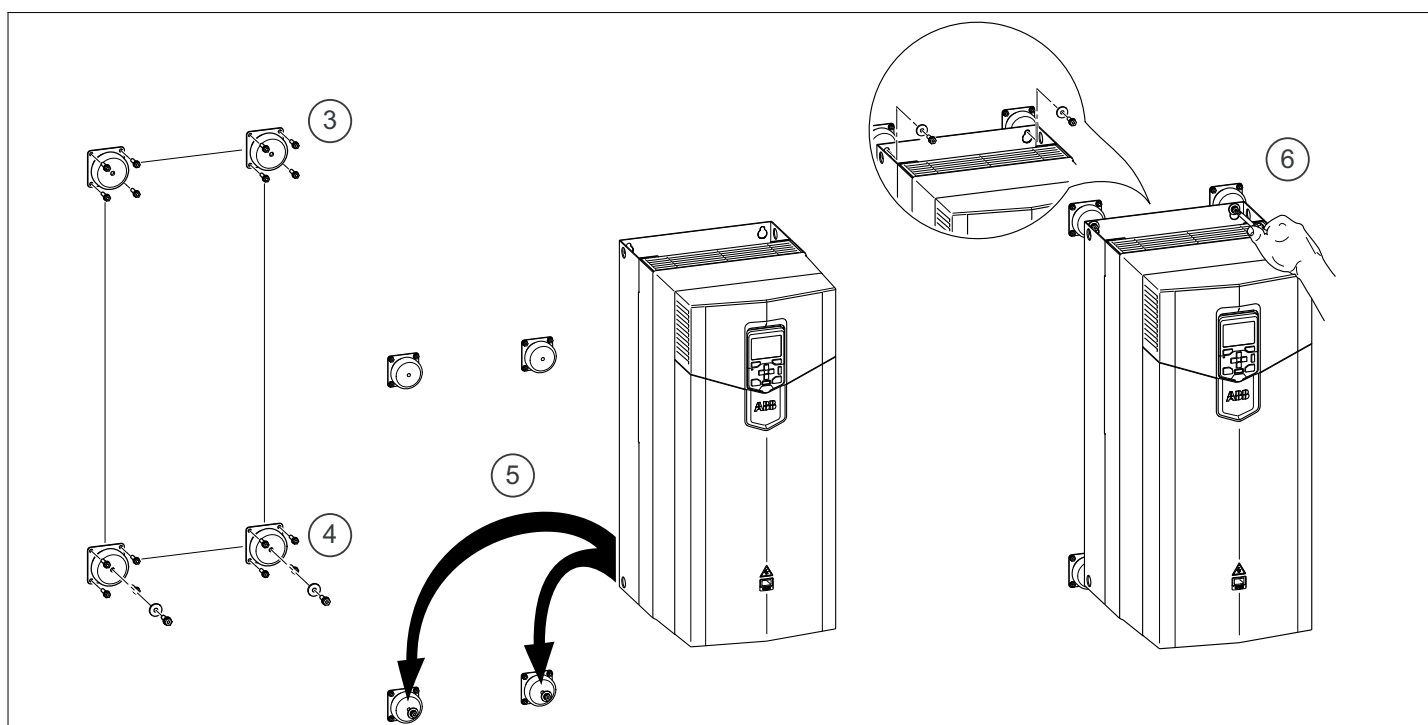


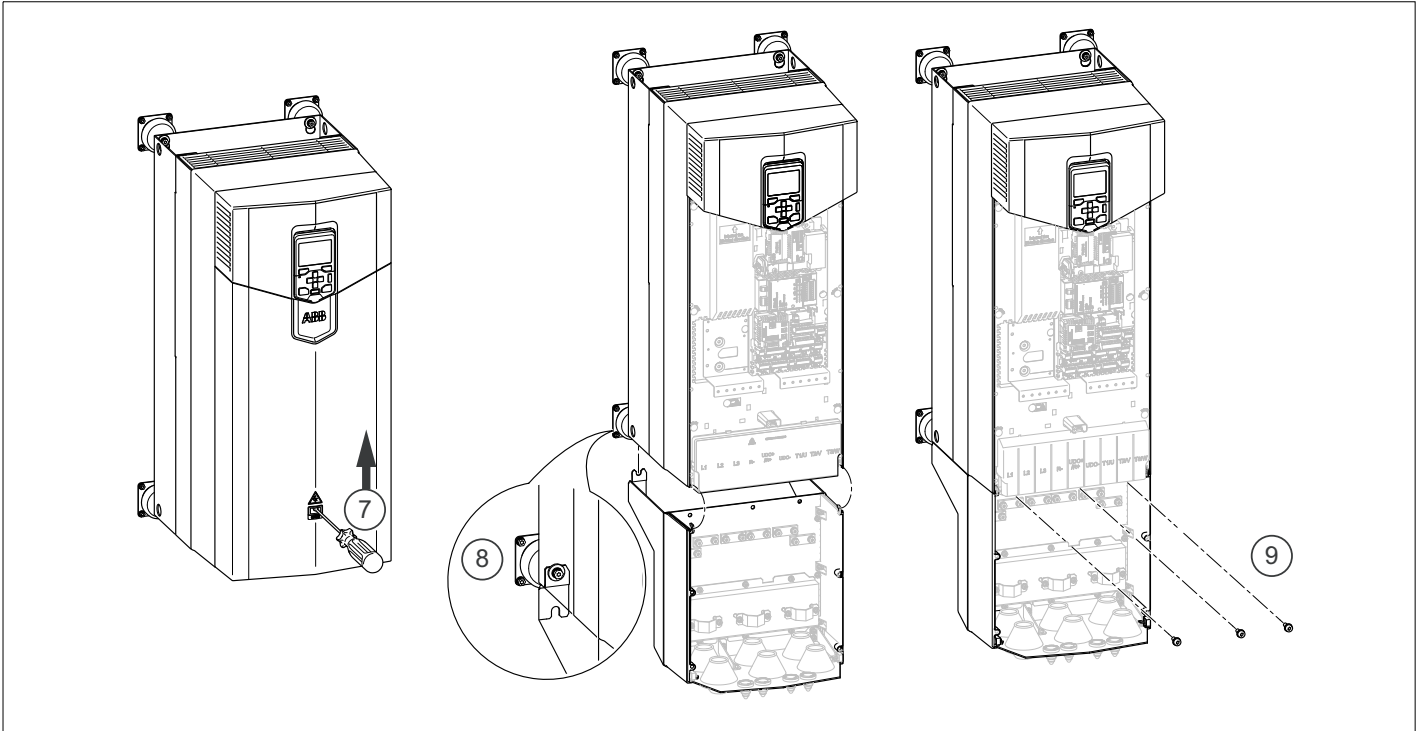
# Vibration dampers (option +C131) for ACS880-01 frames R6...R9

## Installation instructions

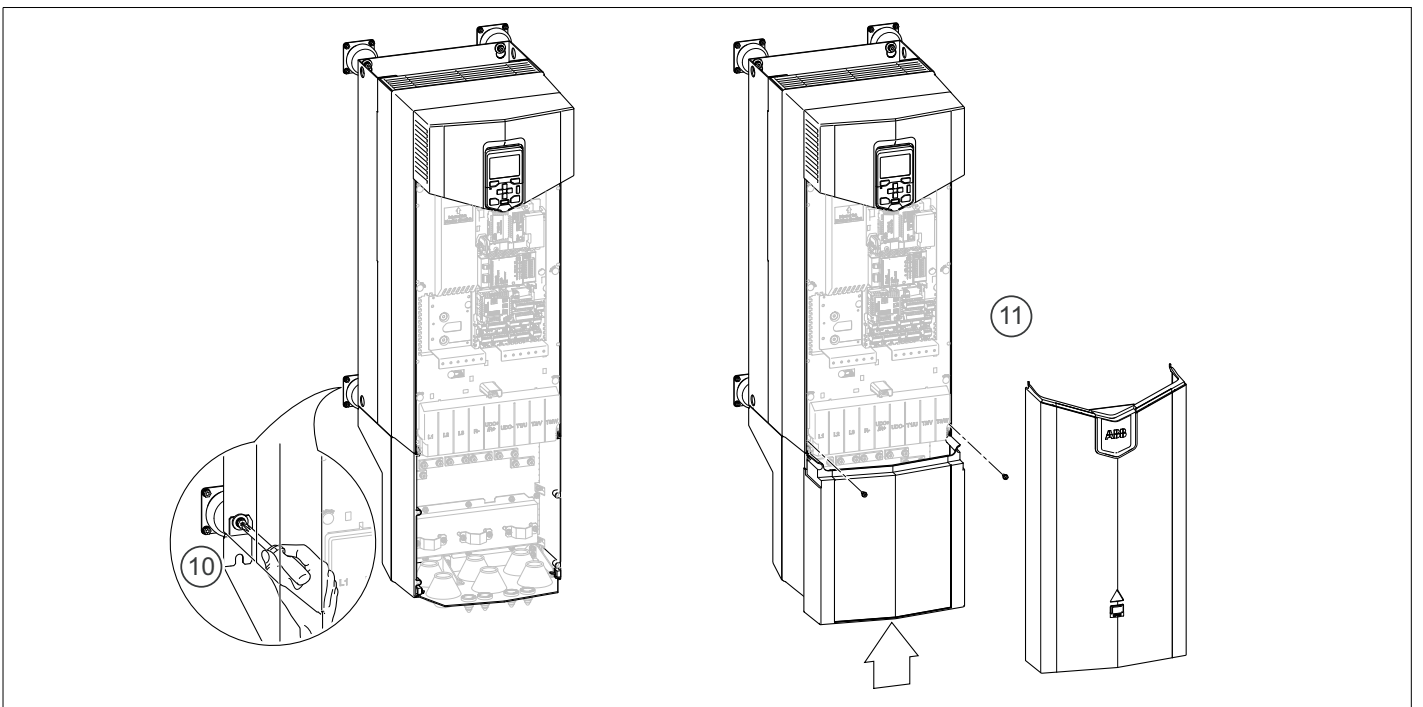
1. Make sure that the cable box is not connected when you start the installation.
2. Mark the locations of the damper mounting holes to the wall around the drive mounting holes. For the locations, refer to [Dimension drawing](#) (page 3) and the dimension drawings of the drive in [ACS880-01 hardware manual \(3AUA0000078093 \[English\]\)](#).
3. Install the vibration dampers to the wall with four M5 screws. Tightening torque: 5 N·m.
4. Start M6×20 screws into the center holes of the lower dampers.
5. Lift the drive onto the lower damper screws. The slot at the bottom of the drive comes between the damper and the washer.
6. Attach the drive to the upper dampers with M6×20 screws through the mounting holes of the drive. Tightening torque: 7...9 N·m.



7. Remove the front cover of the drive.
8. Place the upper slots of the cable box between the lower dampers and washers.
9. Tighten the mounting screws of the cable box.



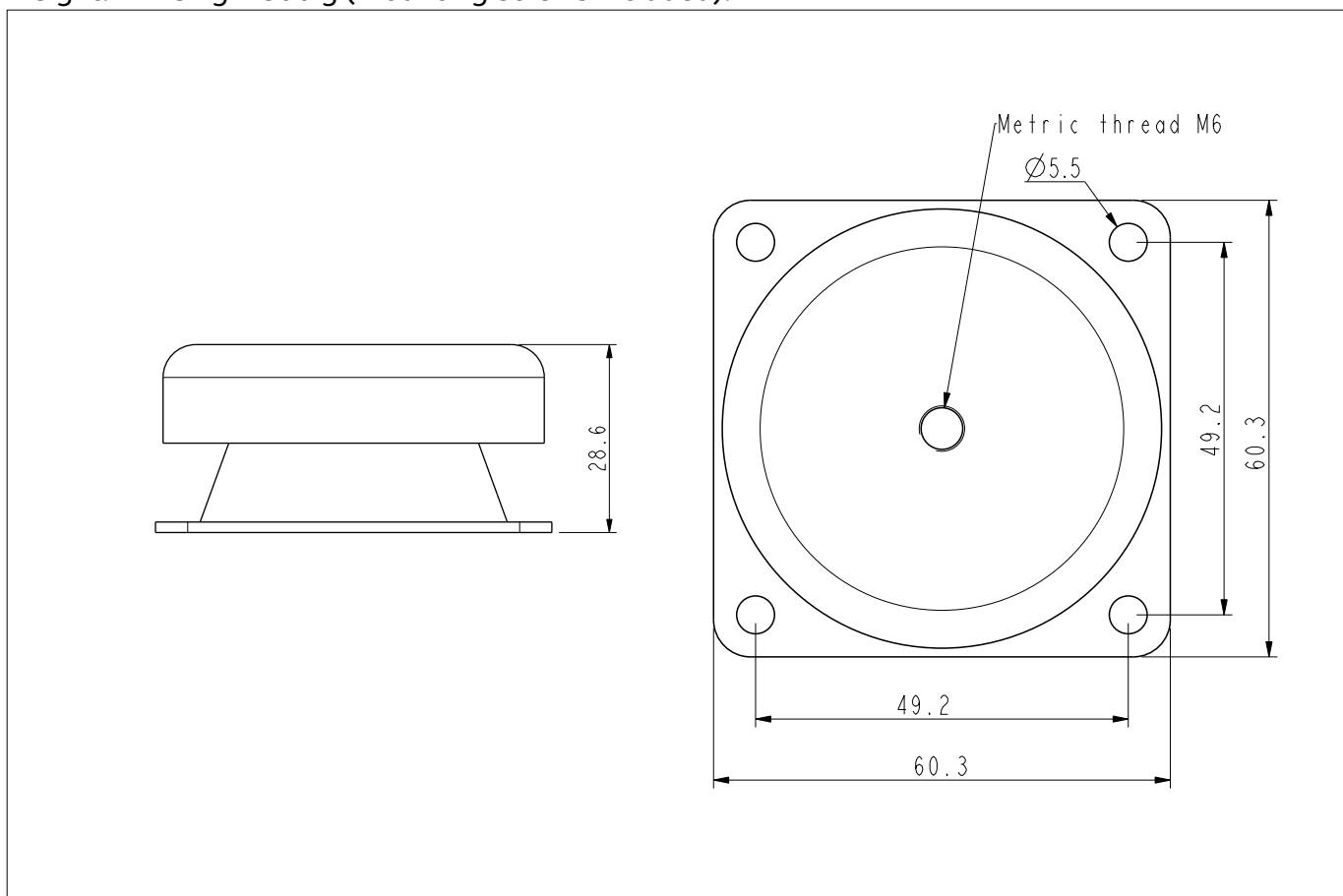
10. Tighten the lower screws with a tightening torque of 7...9 N·m.
11. Install the front cover.



## Dimension drawing

The dimensions are in millimeters.

Weight:  $4 \times 182 \text{ g} = 800 \text{ g}$  (mounting screws included).





3AXD50000013389D

