

18

17

16

15

14

13

12

11

D

D

C

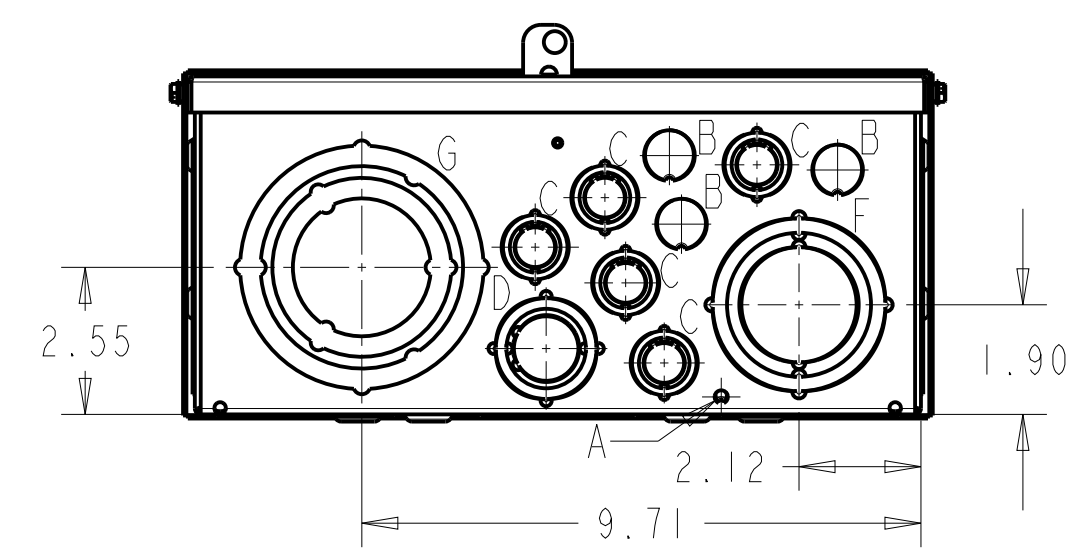
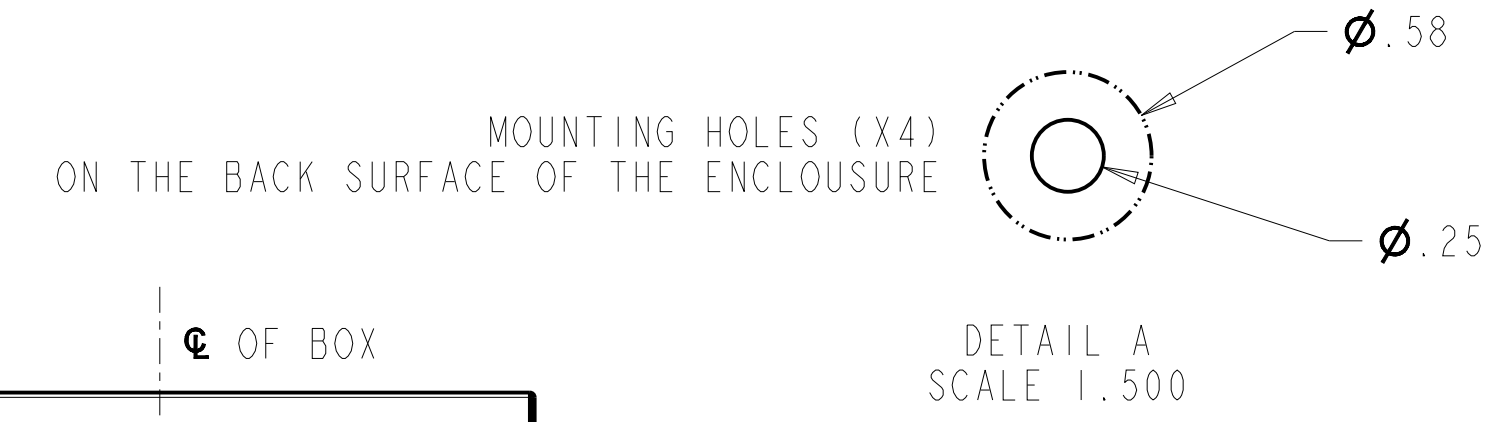
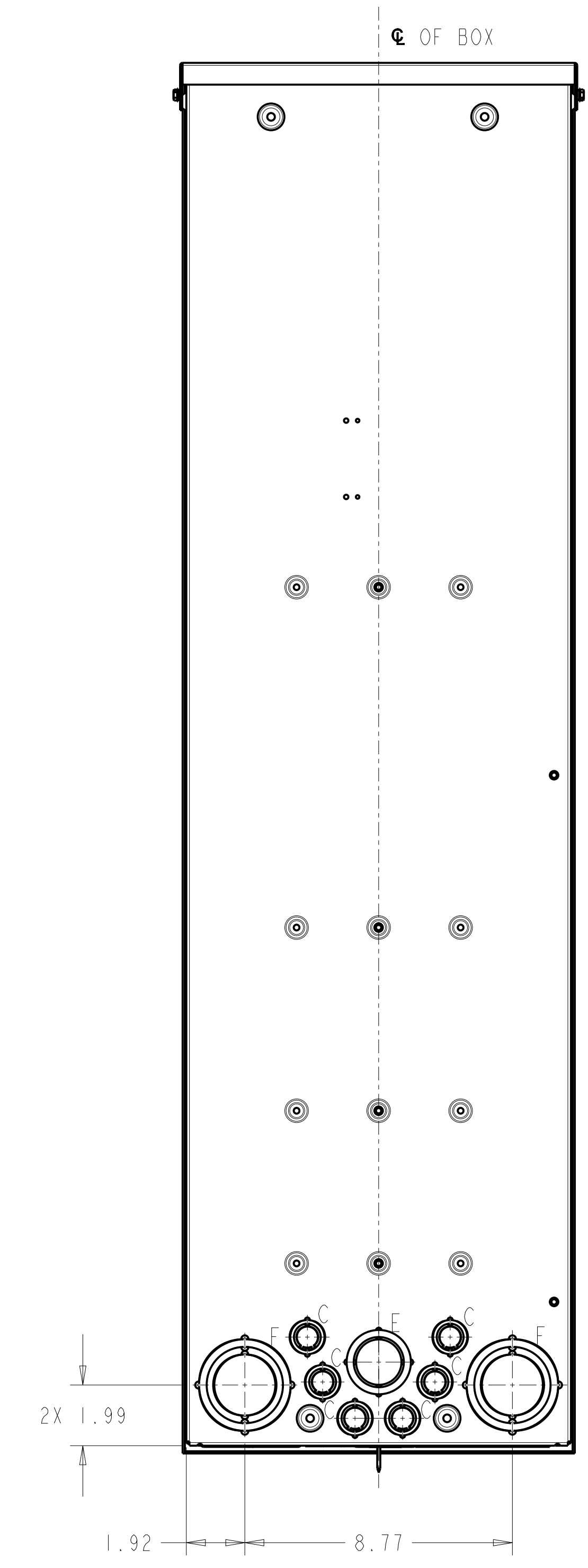
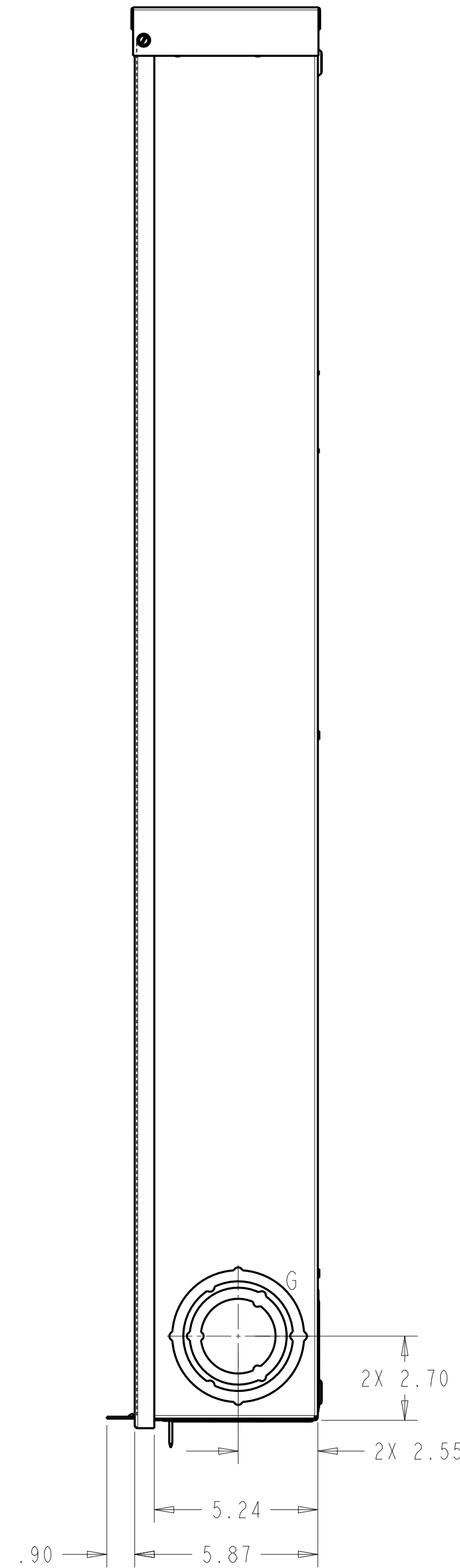
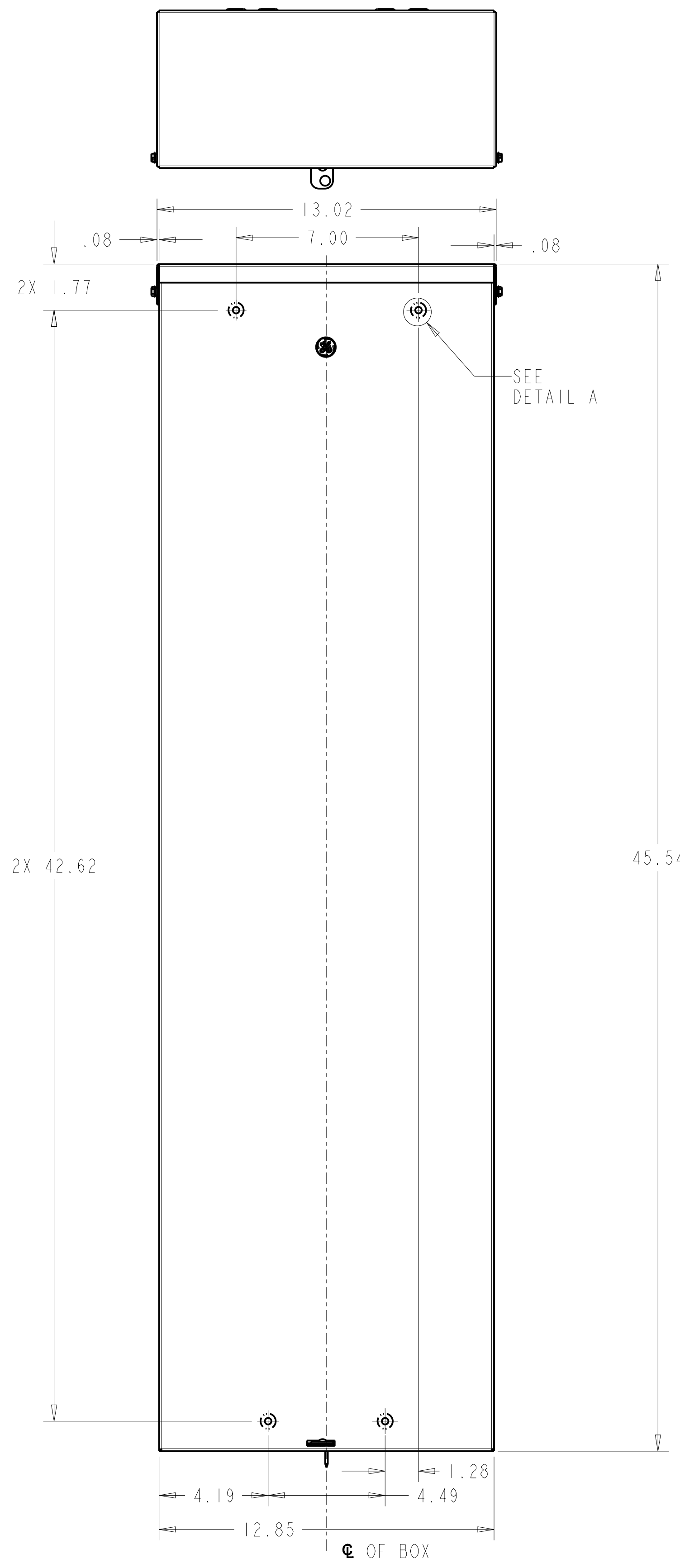
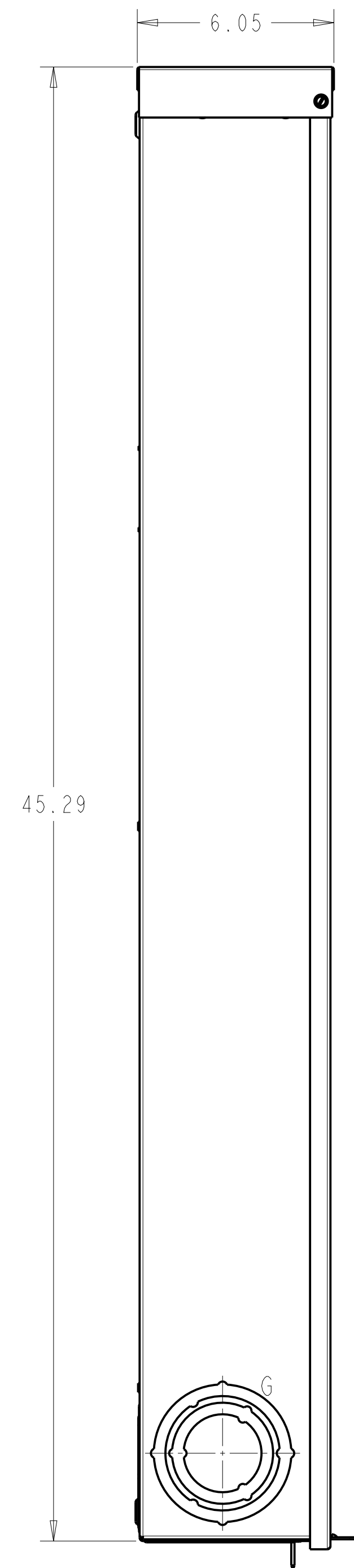
C

B

B

A

A



CAT. NO.	MODEL
TM42422R	4

SYMBOL	SIZE	QTY.
A	9/32 KO	1
B	1/2 KO	3
C	1/2 X 3/4 KO	11
D	1/2 X 3/4 X 1 X 1 1/4 KO	1
E	1 X 1 1/4 X 1 1/2 KO	2
F	1 X 1 1/2 X 2 X 2 1/2 KO	3
G	2 X 2 1/2 X 3 X 3 1/2 KO	3

ALL DIMENSIONS HAVE +/- .125 TOLERANCE



RAINPROOF LCTR 3PH 4W 225A
RAINPROOF ASM ENCLOSURE (44.745)

THIRD ANGLE	SHEET#	DWG NO.	DATE	REV
	1 of 1	10103091SH287	Apr-28-22	1

18

17

16

15

14

13

12

11