

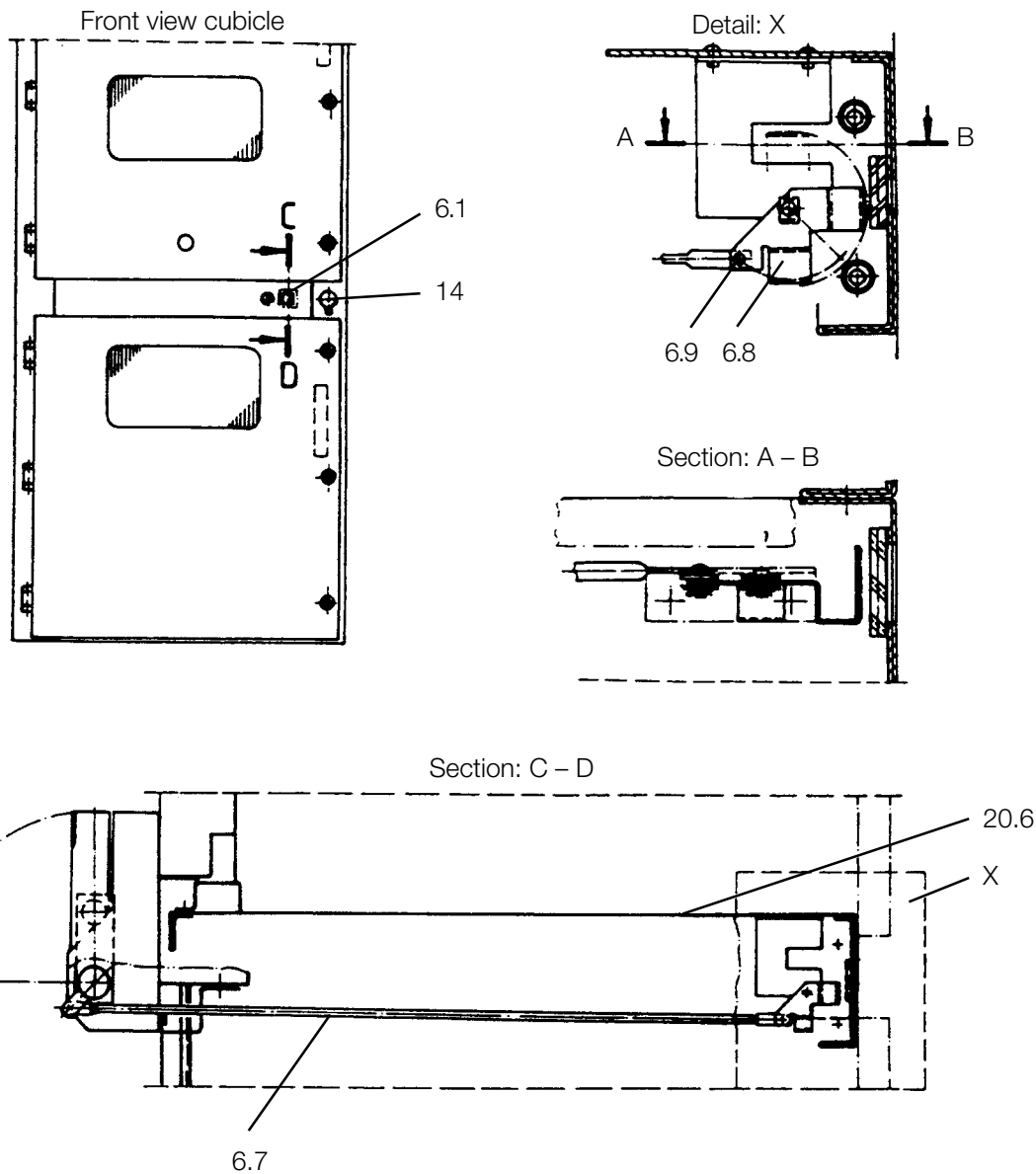
# ZS1

## Releasing the indicator device for the EK6 Instruction Manual BA 400/01E

The standard version of the ZS1 panels (BA 372) is supplied when required with an extended position indicator device for the earthing switch type EK6 (BA 304).

The switch position of the earthing switch located at the rear of the panel is indicated by means of a system of link rods leading to the front plate of

horizontal partition 20.6. The bearing point of indicator plate 6.8 is mounted on horizontal partition 20.6. When the horizontal partition is removed, e. g. during installation of the cable sealing ends, it is necessary to release rod 6.7 from indicator plate 6.8 by removing the SL fastener 6.9.



*Indicator device for EK6 in horizontal partition*

- 6.1 Mechanical position indicator
- 6.7 Rod
- 6.8 Indicator plate
- 6.9 SL fastener
- 14 Earthing mechanism
- 20.6 Horizontal position for EK6 indicator

# ABB

**ABB Calor Emag Mittelspannung GmbH**

Oberhausener Strasse 33      Petzower Strasse 8  
D-40472 Ratingen              D-14542 Glindow  
Tel: +49(0)21 02/12-12 30, Fax: +49(0)21 02/12-19 16  
E-mail: calor.info@de.abb.com  
Internet: <http://www.abb.de/calor>

**ABB Sace T.M.S. S.p.A**

Via Friuli, 4  
I-24044 Dalmine  
Tel: +39 035/395111, Fax: +39 035/395874  
E-mail: sacetms.tipm@it.abb.com  
Internet: <http://www.abb.com>