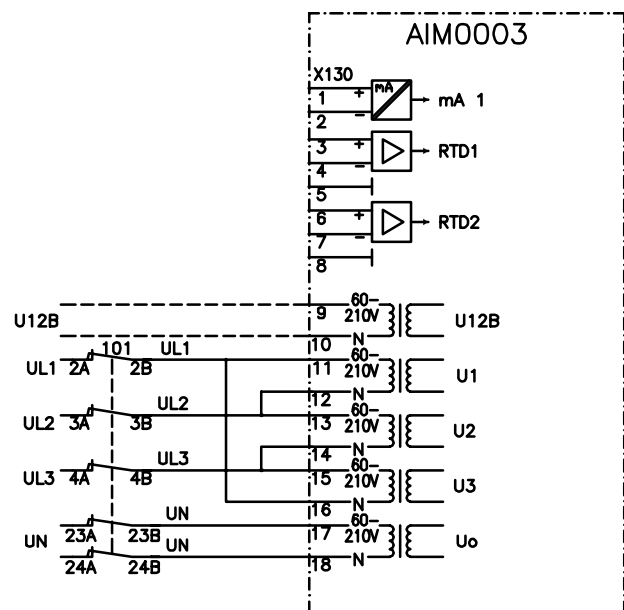
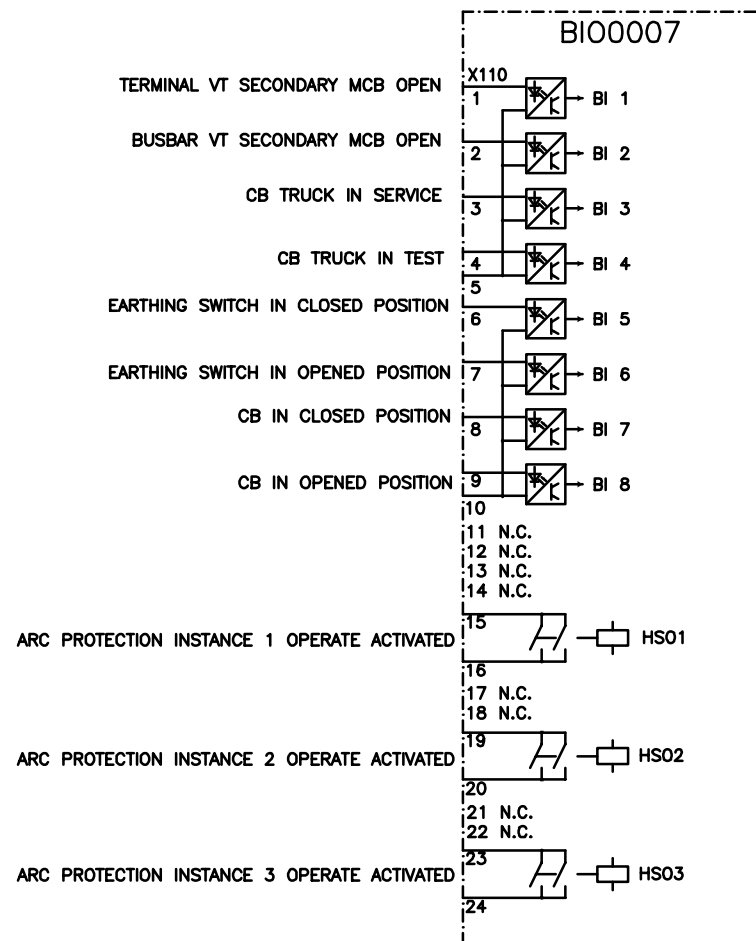


We reserve all rights in this document and in the information contained therein. Reproduction, use or disclosure to third parties without express authority is strictly forbidden. © ABB Oy.

NOTE! U12B CIRCUIT IS NOT CONNECTED VIA TEST SWITCH RTXP 24.



Slot X130: Alternative module AIM0003 (5VT+2RTD+1mA)



Slot X110: Alternative module BI00007 (8BI+3HS0)

101  
TEST SWITCH  
RTXP 24  
RK 926 315-BE

MUUTOS REVISION  
C  
B

TEKI PREPARED 11.02.2015 S.Björklund	LITTYY CONCERNING	NIMITYS NAME TERMINAL DIAGRAM	
TARKASTI CHECKED Juhani Koivupuro	TOLERANSSIT TOLERANCES	REVG15 GENERATOR PROTECTION CONFIGURATION GE04 (D)	
HYVÄKSY APPROVED Tuomo Rintamäki	SUHDE SCALE	PROJ	LEHTI SHEET 2/2
	OSASTO DEPT. RSG	PIIRUSTUS NO DRAWING NO 2RCA035298	PAINOS REVISION A
ABB Technology Ltd.			