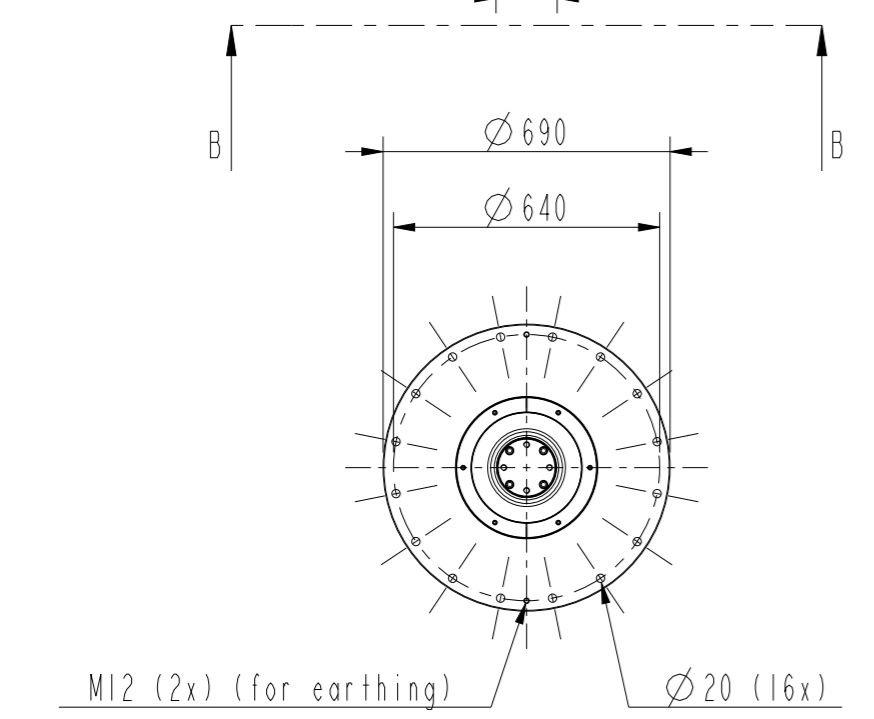
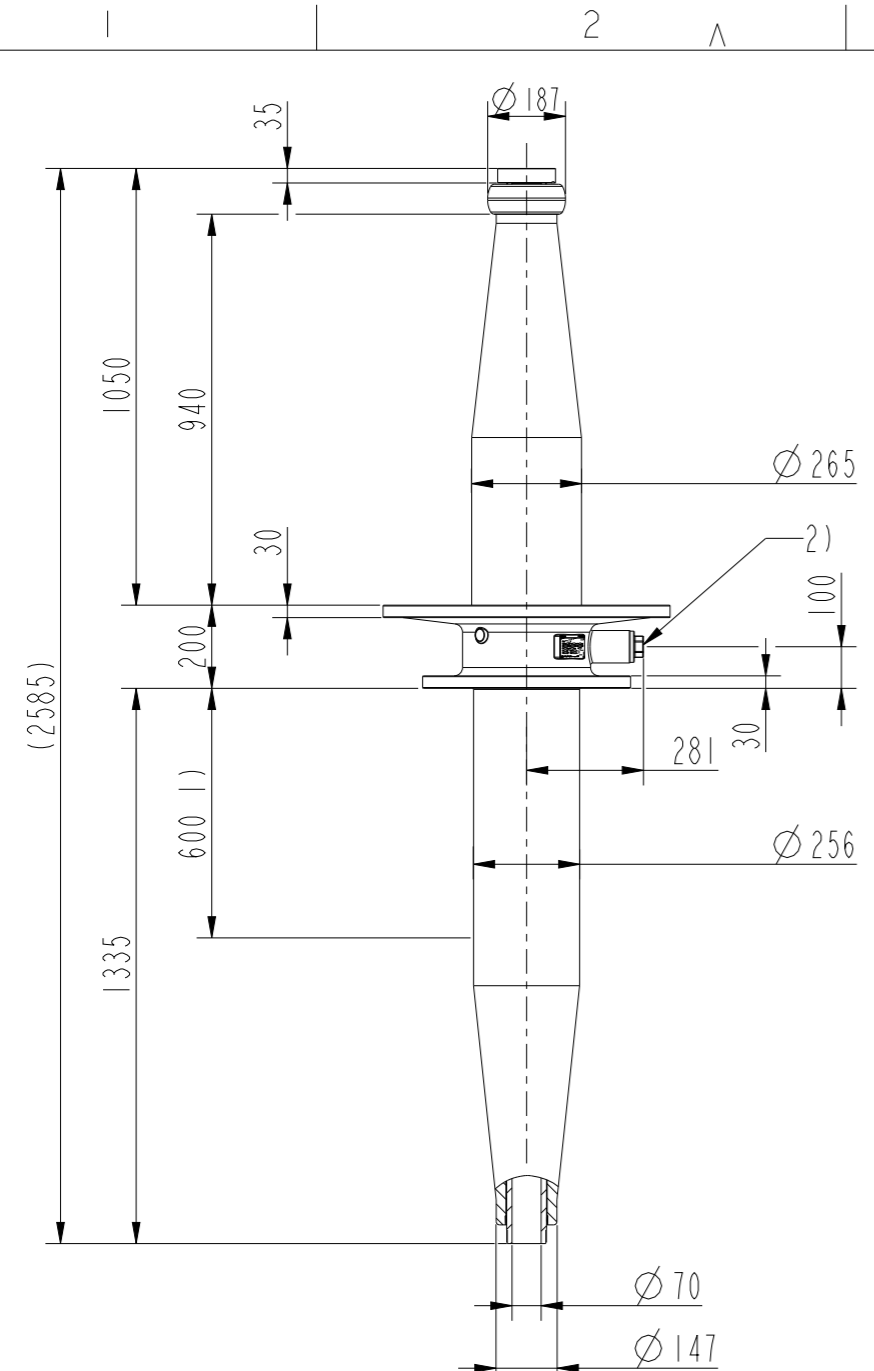


This document is issued by means of a computerized system. The digitally stored original is electronically approved. The approved document has a date entered in the "Approved"-field. A manual signature is not required.

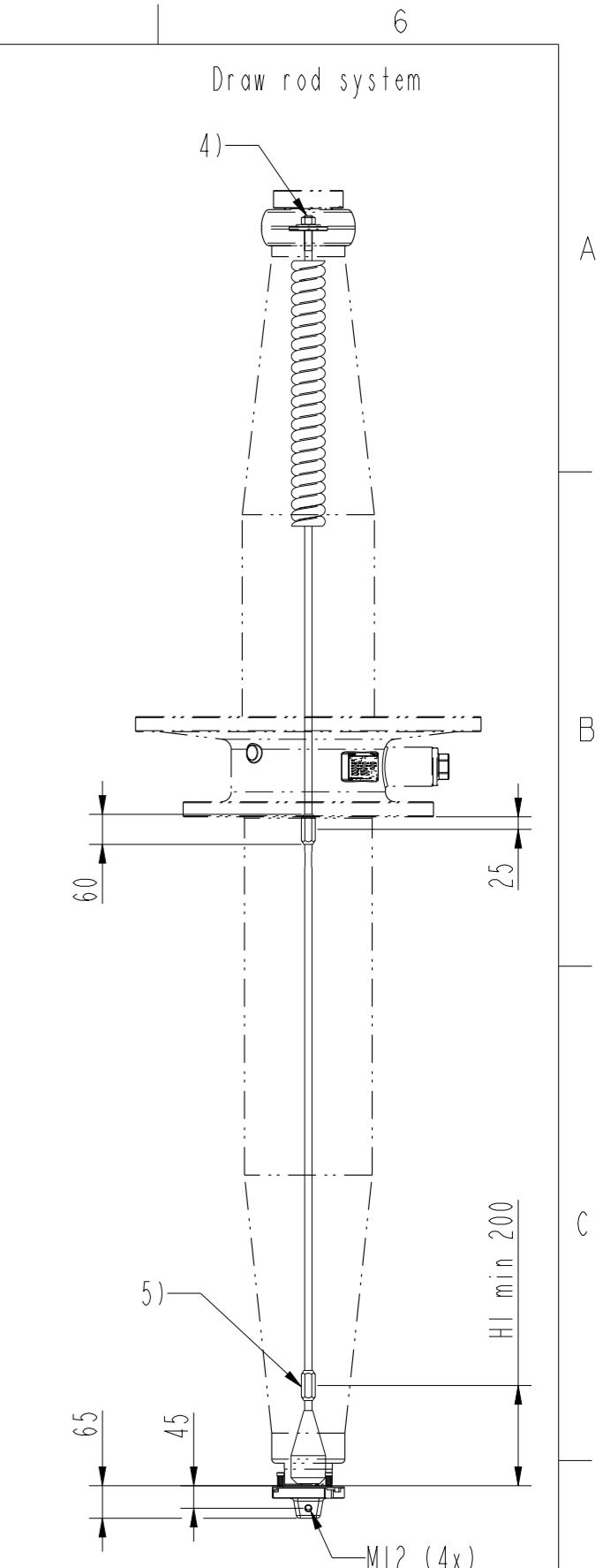
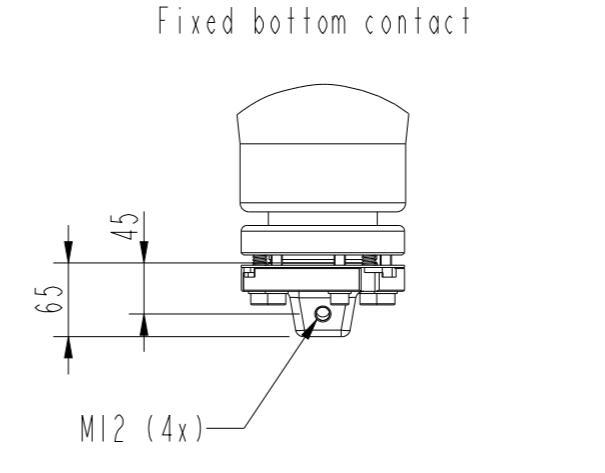
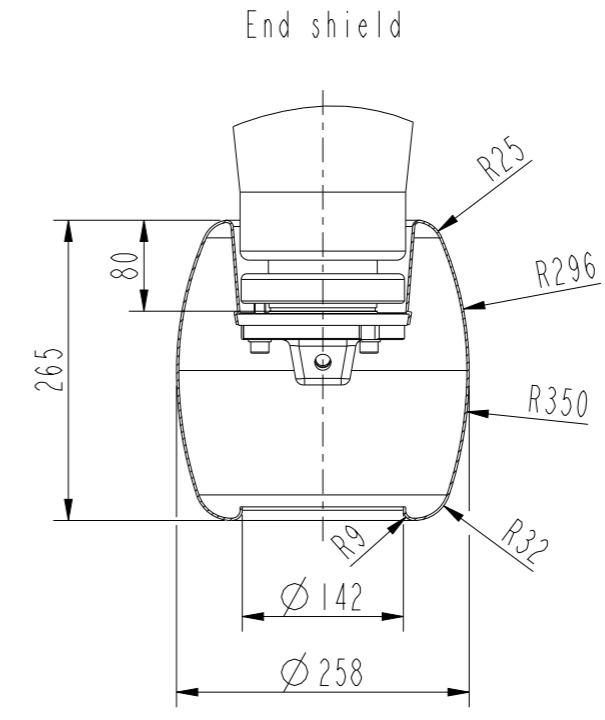
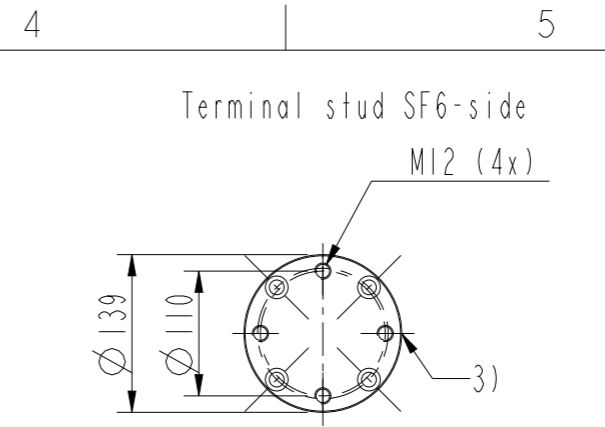
The information contained in this document has to be kept strictly confidential. Any unauthorized use, reproduction, distribution or disclosure to third parties are strictly forbidden. ABB reserves all rights regarding Intellectual Property Rights. © Copyright 2013 ABB. All rights reserved.



Bushing data:			
Rated voltage			362 kV
Phase-to-earth voltage			209 kV
Lightning impulse			1300 kV
Switching impulse			1050 kV
Routine test, 1 min 50 Hz			630 kV
Rated current			1600/2500 A
Mass			192/245 kg

Ordering data:			
Bushing		Conductor tube	Rated current
IZSC900362-AAB	Test tap	Al	1600 A
IZSC900362-ABB	Voltage tap 6 kV	Al	1600 A
IZSC900362-ACB	Test tap	Cu	2500 A
IZSC900362-ADB	Voltage tap 6 kV	Cu	2500 A
Draw rod system			
IZSC999004			
Fixed bottom contact			
IZSC999002-AAE			
End shield			
IZSC999003-AEA		Epoxy insulated	
IZSC999003-AEB		Pressboard insulated	

- 1) Maximum length of CT.
- 2) Test tap / Voltage tap
- 3) Test tap / Voltage tap position.
- 4) Threaded hole M8 for pulling wire.
- 5) Additional joints on request.



Prepared	Jesper Jansson	2018-10-25	Responsible department	PGCO/BK	Title	Bushing GSBK 362/0.6	Language	82
Modified by	Jesper Jansson	2018-11-14	Take over department					
Approved by	Johan X Eriksson	2018-11-14	Used in product		Genomföring GSBK 362/0.6	Order	Sheet no.	1
Revision	G	Mass updated.			Document no.	2753016-6	No. Shis.	(1)

