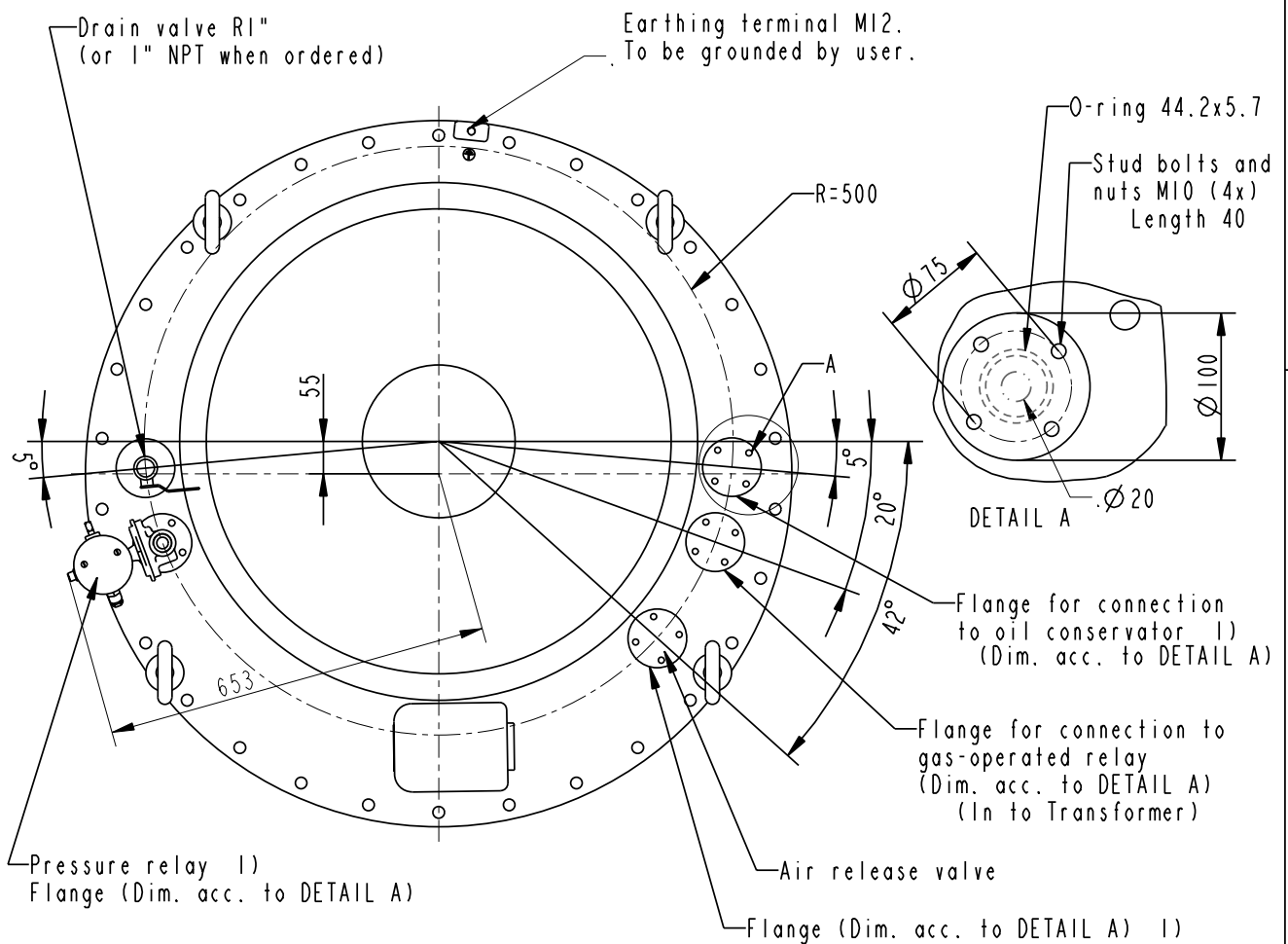
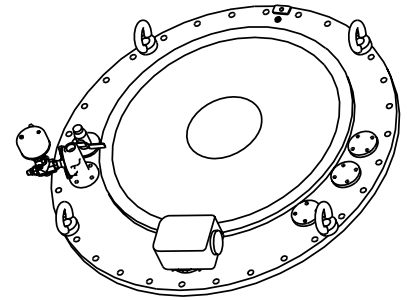
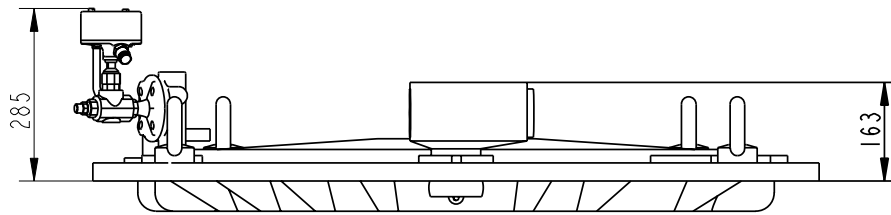


We reserve all rights in this document and in the information contained therein. Reproduction, use or disclosure to third parties without express authority is strictly forbidden. ©ABB

Production engineering review

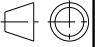

Inspection engineering review

Design engineering review



1) These are interchangeable

Sheet 2 Fig 1-3 for pressure relief valve
Sheet 2 Fig 4 for tempensor TEC + pressure relay

Based on	Reg. No.	Title TOP SECTION, ACCESSORIES TAP-CHANGER UCD/UCC	 Language en Page 1(2)
Prepared T Sapila 96-05-30	Responsible department COM/TK		
Approved M Eriksson	Take over department		
Revision Rev 6 080311	Database DIMENSION_DWGS		
 ABB Components		Document No.	54920087-2

PRESSURE RELIEF VALVE (Flow dia 133mm)

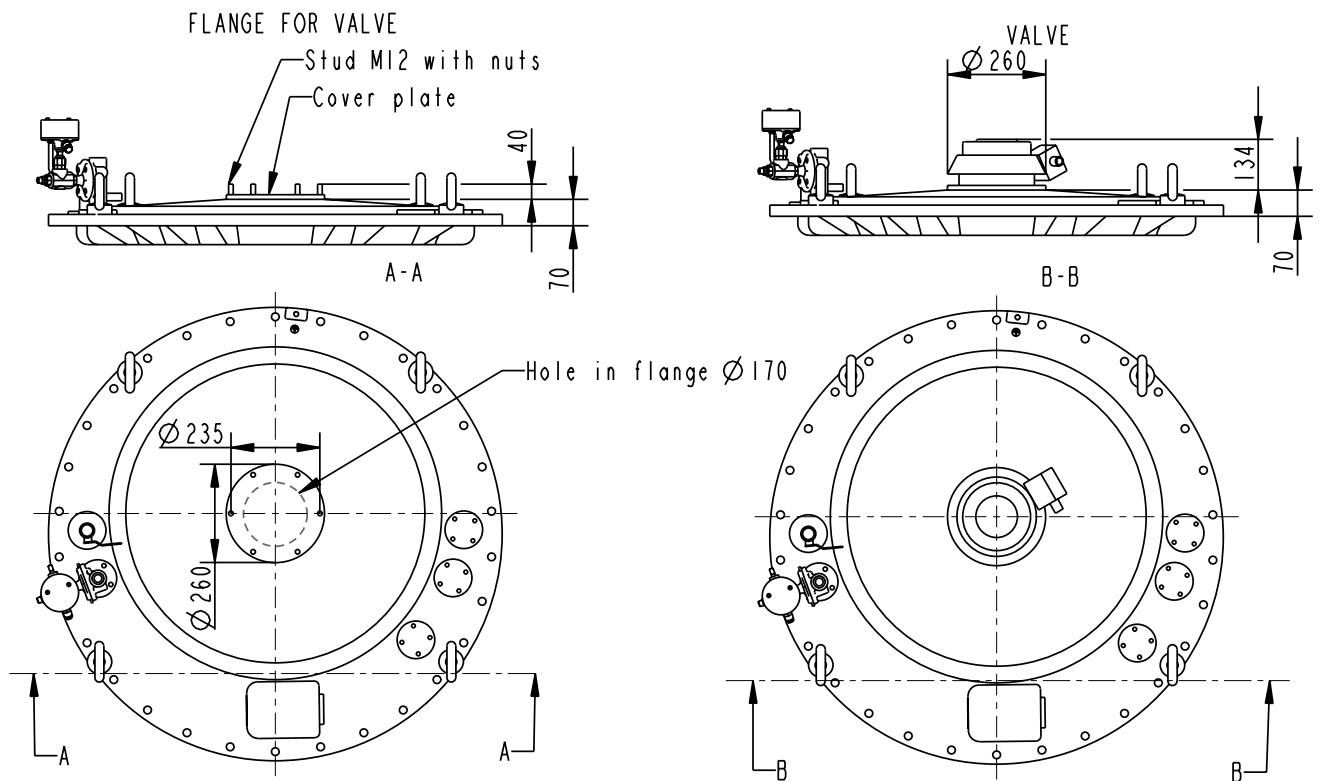


Fig 1

Fig 2

PRESSURE RELIEF VALVE (Flow dia 50mm)
WITH COVER AND SIGNALLING SWITCH

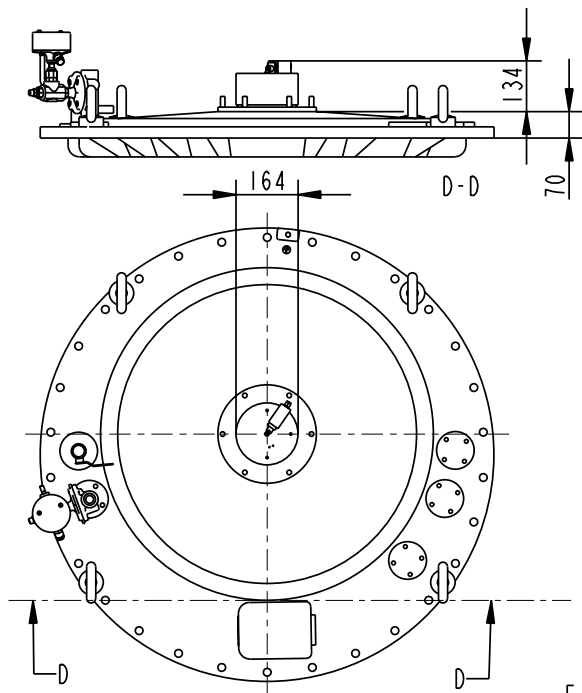


Fig 3

TEMPSENSOR
WITH PRESSURE RELAY MOUNTED AT TEMPESENSOR HOUSING

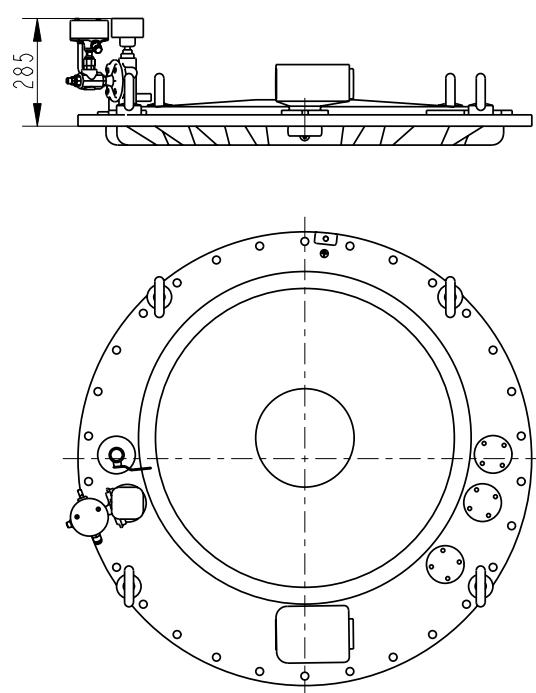




Fig 4

We reserve all rights in this document and in the information contained therein. Reproduction, use or disclosure to third parties without express authority is strictly forbidden. ©ABB

Production engineering review

Design engineering review

Inspection engineering review

Based on	Reg. No.	Title TOP SECTION, ACCESSORIES TAP-CHANGER UCD/UCC	 Language en	
Prepared T Sapila 96-05-30	Responsible department COM/TK			Page 2(2)
Approved M Eriksson	Take over department			Document No. 54920087-2
Revision Rev 6 080311	Database DIMENSION_DWGS			
 ABB Components				