

**CAUTION:**

HIGH CENTER OF GRAVITY - USE CAUTION WHEN MOVING CABINET

ONLY PERSONNEL TRAINED TO MOVE HEAVY EQUIPMENT SHOULD HANDLE THESE BATTERY SYSTEMS.

MOVE SLOWLY WHEN HANDLING. AVOID BOUNCING THE CABINET WHILE MOVING. THE CABINET COULD FALL FORWARD OR SIDEWAYS IF HANDLED ROUGHLY.

USE A FORKLIFT OR SIMILAR DEVICE WITH APPROPRIATE LIFTING CAPACITY TO LIFT THE CABINET.

CABINET SYSTEMS ARE HEAVY AND COULD WEIGH AS MUCH AS 9,000 LBS PER CABINET OR MORE.

NOTE THE CENTER OF GRAVITY MEASUREMENT

**STEPS FOR BATTERY CABINET INSTALLATION PROCEDURE**

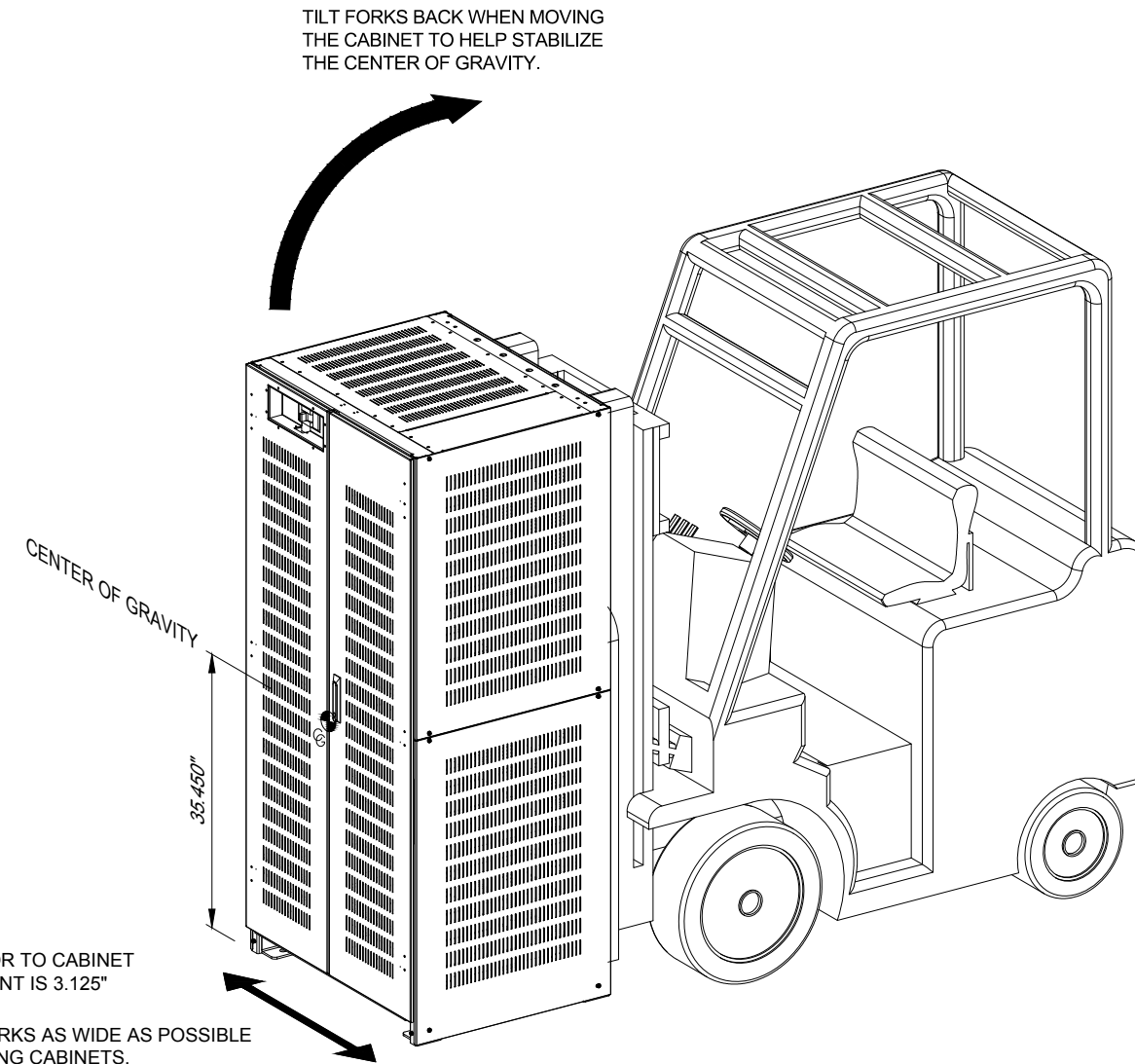
1. TO HELP PREVENT DAMAGE, ALL PANELS FROM ALL BATTERY CABINETS SHOULD BE LABELED TO THEIR PROSPECTIVE CABINET, REMOVED AND PUT ASIDE IN A SAFE LOCATION WHILE MOVING THE CABINETS TO FINAL INSTALL POSITION.
2. INSTALL AND ALIGN THE FIRST CABINET, THEN EACH CABINET ADJACENT TO EACH OTHER. REFER TO PAGE 3 FOR PROPER LINE UP.
3. ROUTE THE POWER CABLES AS SHOWN ON SHEET 4.
4. INSTALL SIDE PANEL ONTO THE OPEN SIDES OF THE BATTERY CABINET. INSTALL THE DOORS AND LOCK WHEN NOT OPEN FOR MAINTENANCE.
5. THE CABINET MUST BE ANCHORED TO THE FLOOR FOR SEISMIC SENSITIVE AREAS. AND TO MAINTAIN THE SEISMIC INTEGRITY OF THE BATTERY CABINET. ANCHORING HARDWARE IS NOT INCLUDED. CONTACT INTRAPACK TO PURCHASE ANCHORING HARDWARE

**CAUTION: HIGH VOLTAGE, RISK OF ELECTRICAL SHOCK**

- FOLLOW ALL SAFETY PRECAUTIONS WHEN WORKING ON THIS SYSTEM
- ALWAYS WEAR PROPER SAFETY EQUIPMENT INCLUDING EYE PROTECTION

**> IMPORTANT <**

\* REVIEW THE DRAWINGS AND READ ALL INFORMATION BEFORE PROCEEDING WITH MOVING AND INSTALLING THESE BATTERY CABINETS



TILT FORKS BACK WHEN MOVING THE CABINET TO HELP STABILIZE THE CENTER OF GRAVITY.

CENTER OF GRAVITY

35.450"

NOTE:  
FROM FLOOR TO CABINET LIFTING POINT IS 3.125"

SPREAD FORKS AS WIDE AS POSSIBLE WHEN LIFTING CABINETS.

**MOVING A BATTERY CABINET**

**DO NOT LIFT THE CABINET HIGHER THAN NECESSARY TO CLEAR THE FLOOR WHEN MOVING**

**ABB** MEGAFLEX UPS BATTERY SKU  
MGF1600-8-4A-ALT

THE INFORMATION CONTAINED IN THIS DRAWING IS THE SOLE PROPERTY OF INTRAPACK INDUSTRIES INC. ANY REPRODUCTION IN PART OR WHOLE WITHOUT THE WRITTEN PERMISSION OF INTRAPACK INDUSTRIES INC. IS PROHIBITED.

NO.	DATE	REVISION DESCRIPTION

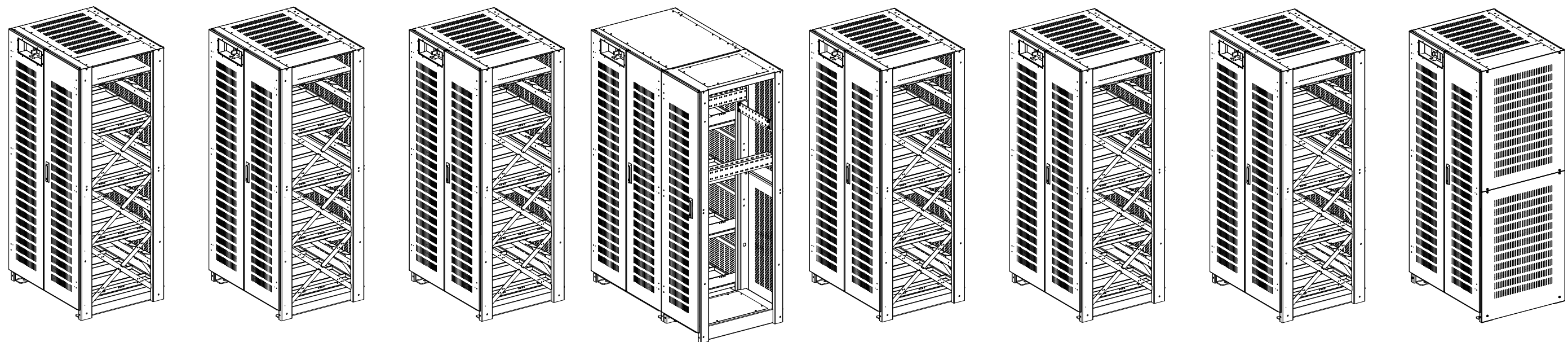
**IntraPack**®  
10650 MARKISON ROAD  
DALLAS, TX. 75238  
PHONE: 214-348-7105  
EMAIL: SALES@INTRAPACK.COM  
WWW.INTRAPACK.COM  
© INTRAPACK 2020

SYSTEM WEIGHT: 40, 180 lbs			
JOB NO.	N/A	DATE:	12/02/2020
QUOTE NO.	IPC20-1023	DRAWN BY:	SM
SCALE:	N.T.S.	APPR. BY:	

ADJACENT REMOTE TOP TERMINAL BATTERY CABINET SYSTEM
DRAWING NO. IP5-320D600-480-8-8D600-AR-JC

**CAUTION: HIGH VOLTAGE, RISK OF ELECTRICAL SHOCK**

- FOLLOW ALL SAFETY PRECAUTIONS WHEN WORKING ON THIS SYSTEM
- ALWAYS WEAR PROPER SAFETY EQUIPMENT INCLUDING EYE PROTECTION



CABINET A

CABINET B

CABINET C

CABINET D & JC

CABINET E

CABINET F

CABINET G

CABINET H

ISOMETRIC BATTERY CABINET VIEW

**ABB** MEGAFLEX UPS BATTERY SKU  
MGF1600-8-4A-ALT

THE INFORMATION CONTAINED IN THIS DRAWING IS THE SOLE PROPERTY OF INTRAPACK INDUSTRIES INC. ANY REPRODUCTION IN PART OR WHOLE WITHOUT THE WRITTEN PERMISSION OF INTRAPACK INDUSTRIES INC. IS PROHIBITED.

NO.	DATE	REVISION DESCRIPTION

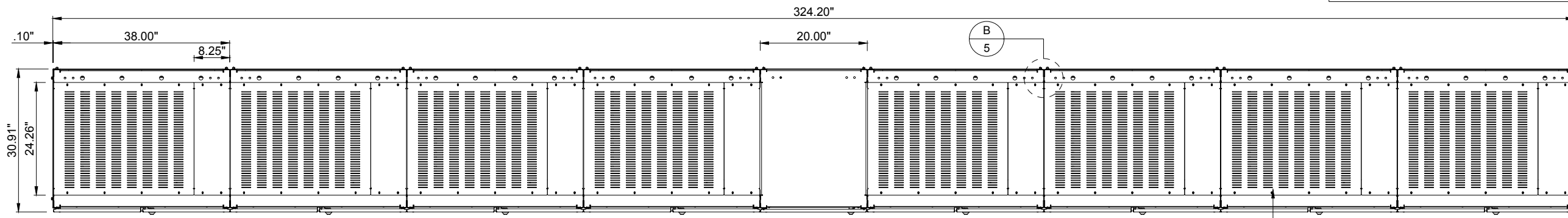
**IntraPack**® 10650 MARKISON ROAD  
DALLAS, TX. 75238  
PHONE: 214-348-7105  
EMAIL: SALES@INTRAPACK.COM  
WWW.INTRAPACK.COM  
© INTRAPACK 2020

SYSTEM WEIGHT: 40, 180 lbs			
JOB NO.	N/A	DATE:	12/02/2020
QUOTE NO.	IPC20-1023	DRAWN BY:	SM
SCALE:	N.T.S.	APPR. BY:	

ADJACENT REMOTE TOP TERMINAL  
BATTERY CABINET SYSTEM  
DRAWING NO.  
IP5-320D600-480-8-8D600-AR-JC

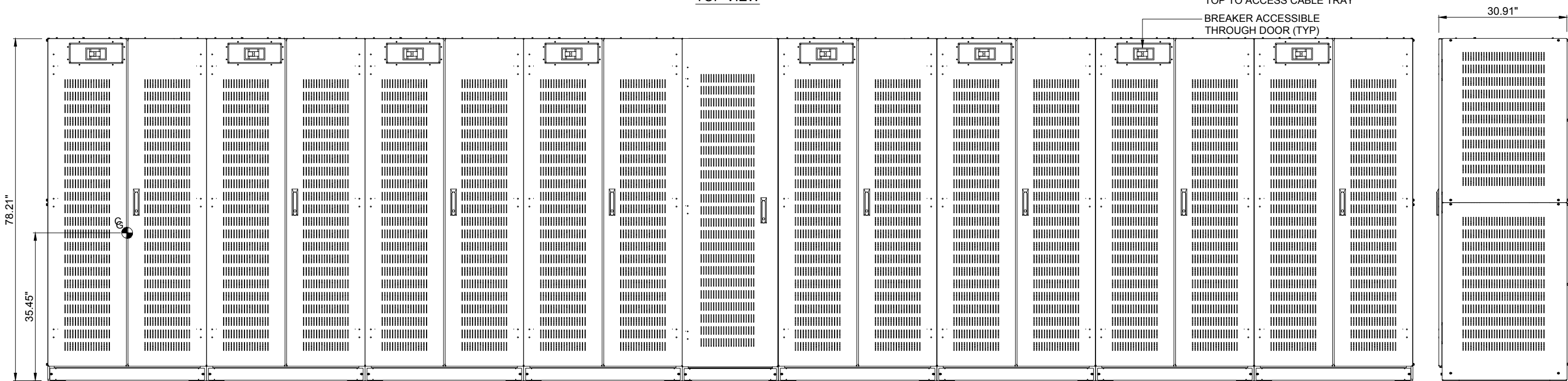
**CAUTION: HIGH VOLTAGE, RISK OF ELECTRICAL SHOCK**

- FOLLOW ALL SAFETY PRECAUTIONS WHEN WORKING ON THIS SYSTEM
- ALWAYS WEAR PROPER SAFETY EQUIPMENT INCLUDING EYE PROTECTION

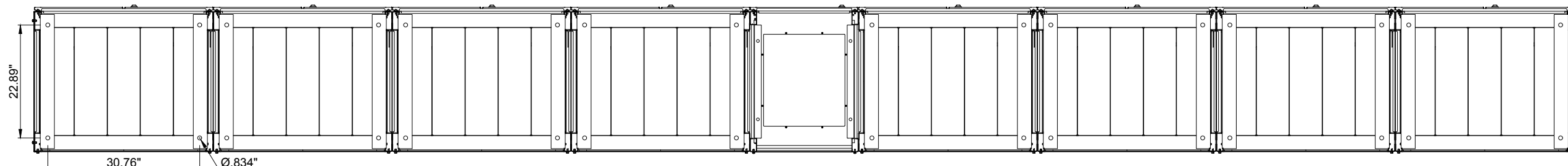


TOP VIEW

REMOVE BATTERY CABINET TOP TO ACCESS CABLE TRAY  
BREAKER ACCESSIBLE THROUGH DOOR (TYP)



FRONT VIEW



BOTTOM VIEW

**ABB** MEGAFLEX UPS BATTERY SKU  
MGF1600-8-4A-ALT

THE INFORMATION CONTAINED IN THIS DRAWING IS THE SOLE PROPERTY OF INTRAPACK INDUSTRIES INC. ANY REPRODUCTION IN PART OR WHOLE WITHOUT THE WRITTEN PERMISSION OF INTRAPACK INDUSTRIES INC. IS PROHIBITED.

NO.	DATE	REVISION DESCRIPTION

**IntraPack**<sup>®</sup>  
 10650 MARKISON ROAD  
 DALLAS, TX. 75238  
 PHONE: 214-348-7105  
 EMAIL: SALES@INTRAPACK.COM  
 WWW.INTRAPACK.COM  
 © INTRAPACK 2020

SYSTEM WEIGHT: 40, 180 lbs			
JOB NO.	N/A	DATE:	12/02/2020
QUOTE NO.	IPC20-1023	DRAWN BY:	SM
SCALE:	N.T.S.	APPR. BY:	

ADJACENT REMOTE TOP TERMINAL  
BATTERY CABINET SYSTEM  
DRAWING NO.  
IP5-320D600-480-8-8D600-AR-JC

- 1 DC POWER CABLES FROM CJC TO THE UPS PROVIDED BY OTHERS. REFER TO NEC FOR PROPER AWG SIZE
- 2 TERMINAL BLOCK TO TERMINAL BLOCK AND TERMINAL BLOCK TO UPS CONTROL WIRING WILL BE 16-20 GA STRANDED, PROVIDED BY OTHERS

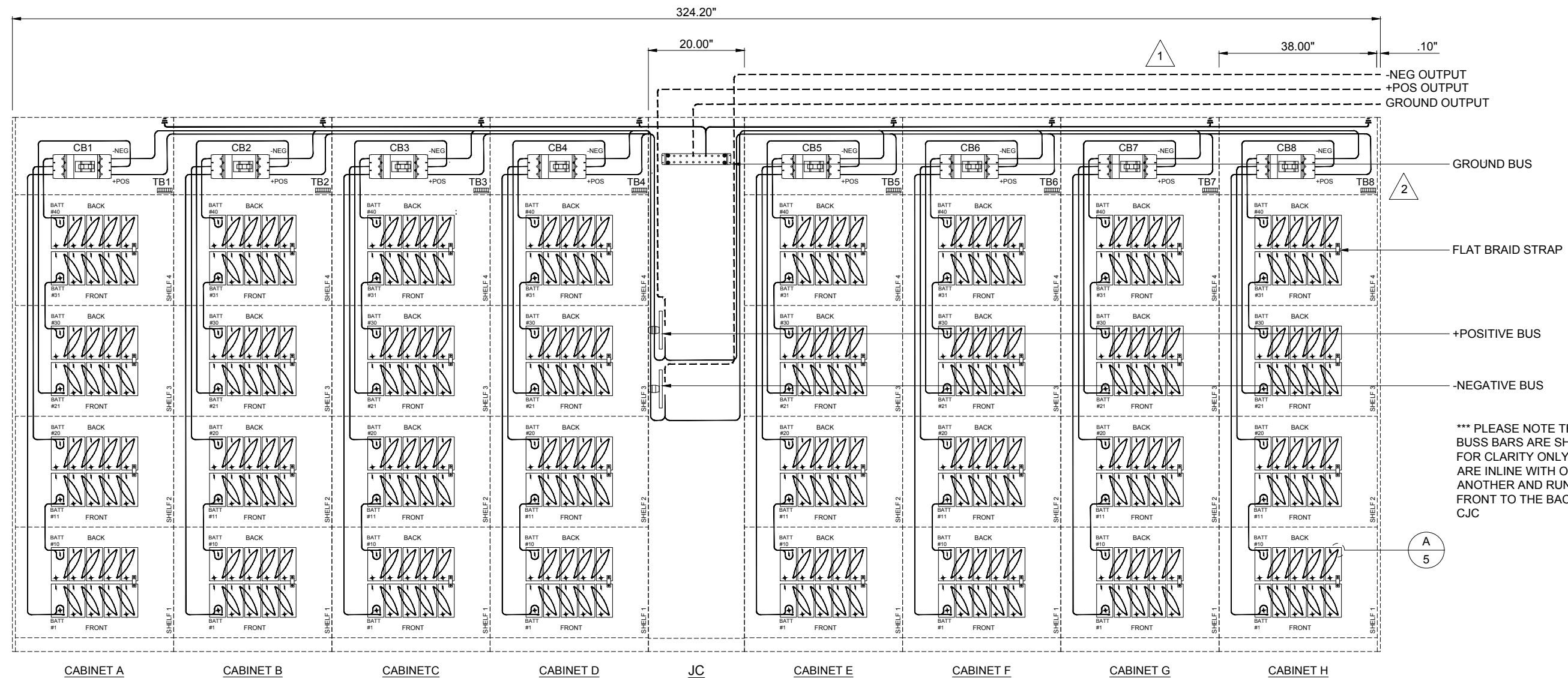
POSITIONING OF COMPONENTS ARE FOR ILLUSTRATION PURPOSES AND MAY NOT BE REPRESENTED IN THE EXACT LOCATION INDICATED.

**CAUTION: HIGH VOLTAGE, RISK OF ELECTRICAL SHOCK**

- FOLLOW ALL SAFETY PRECAUTIONS WHEN WORKING ON THIS SYSTEM
- ALWAYS WEAR PROPER SAFETY EQUIPMENT INCLUDING EYE PROTECTION

**GENERAL NOTES:**

1. ONLY QUALIFIED TECHNICIANS SHOULD PERFORM INSTALLATION OR MAINTENANCE OF THIS BATTERY SYSTEM.
2. ALL TOOLS SHOULD BE INSULATED TO PREVENT ELECTRICAL SHOCK.
3. OPEN DISCONNECTS BEFORE INSTALLATION OR MAINTENANCE.
4. CHECK DC VOLTAGE AT BATTERY OUTPUT AND UPS OUTPUT TO ENSURE PROPER POLARITY BEFORE MAKING FINAL CONNECTIONS.



ELECTRICAL ILLUSTRATION

**ABB** MEGAFLEX UPS BATTERY SKU  
MGF1600-8-4A-ALT

THE INFORMATION CONTAINED IN THIS DRAWING IS THE SOLE PROPERTY OF INTRAPACK INDUSTRIES INC. ANY REPRODUCTION IN PART OR WHOLE WITHOUT THE WRITTEN PERMISSION OF INTRAPACK INDUSTRIES INC. IS PROHIBITED.

NO.	DATE	REVISION DESCRIPTION

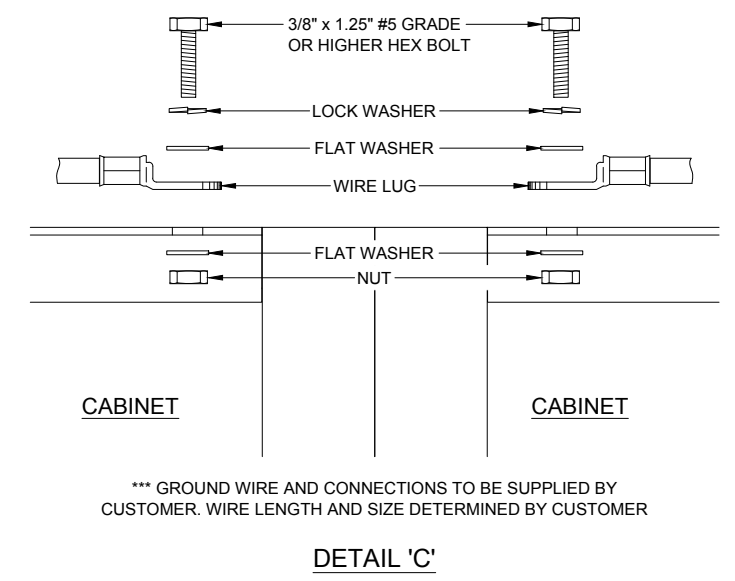
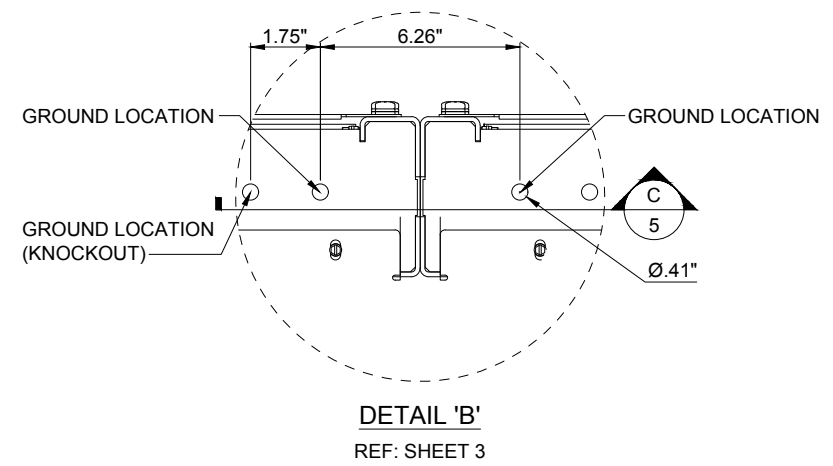
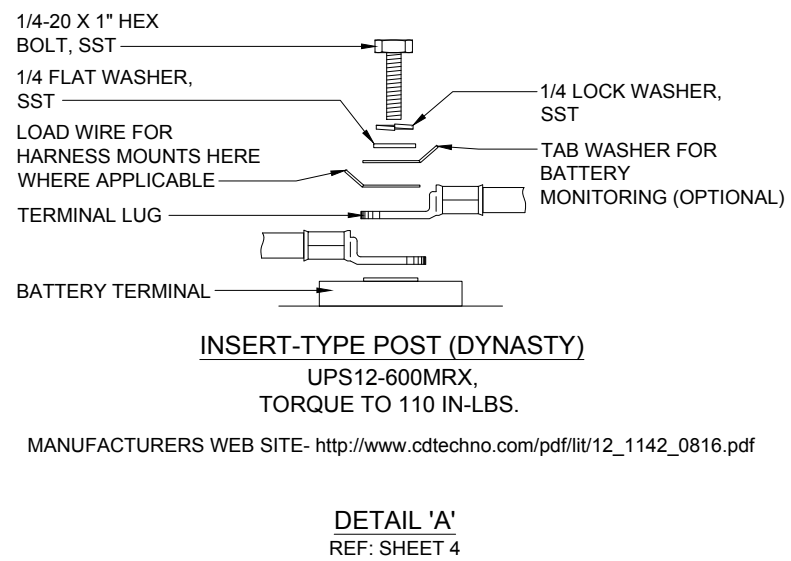
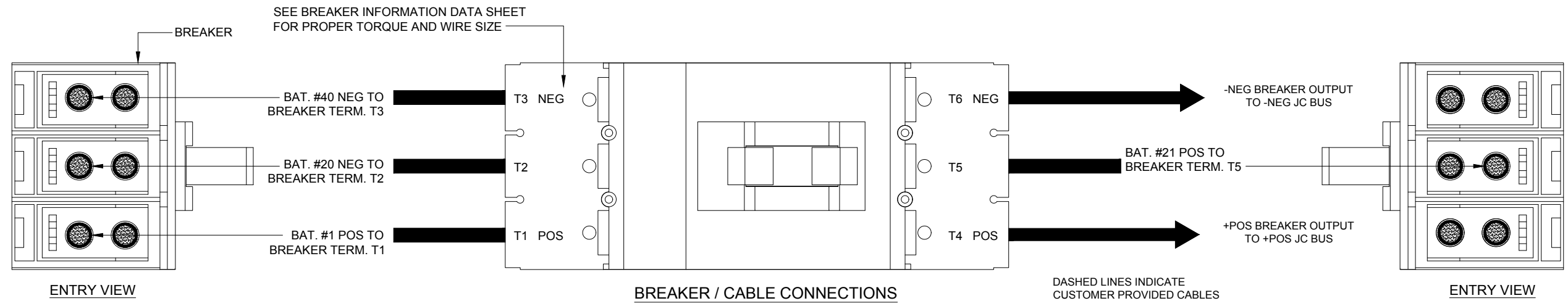
**IntraPack**® 10650 MARKISON ROAD  
DALLAS, TX. 75238  
PHONE: 214-348-7105  
EMAIL: SALES@INTRAPACK.COM  
WWW.INTRAPACK.COM  
© INTRAPACK 2020

SYSTEM WEIGHT: 40, 180 lbs			
JOB NO.	N/A	DATE:	12/02/2020
QUOTE NO.	IPC20-1023	DRAWN BY:	SM
SCALE:	N.T.S.	APPR. BY:	

ADJACENT REMOTE TOP TERMINAL  
BATTERY CABINET SYSTEM  
DRAWING NO.  
IP5-320D600-480-8-8D600-AR-JC

**CAUTION: HIGH VOLTAGE, RISK OF ELECTRICAL SHOCK**

- FOLLOW ALL SAFETY PRECAUTIONS WHEN WORKING ON THIS SYSTEM
- ALWAYS WEAR PROPER SAFETY EQUIPMENT INCLUDING EYE PROTECTION



**ABB** MEGAFLEX UPS BATTERY SKU  
MGF1600-8-4A-ALT

THE INFORMATION CONTAINED IN THIS DRAWING IS THE SOLE PROPERTY OF INTRAPACK INDUSTRIES INC. ANY REPRODUCTION IN PART OR WHOLE WITHOUT THE WRITTEN PERMISSION OF INTRAPACK INDUSTRIES INC. IS PROHIBITED.

NO.	DATE	REVISION DESCRIPTION

**IntraPack**® 10650 MARKISON ROAD  
DALLAS, TX. 75238  
PHONE: 214-348-7105  
EMAIL: SALES@INTRAPACK.COM  
WWW.INTRAPACK.COM  
© INTRAPACK 2020

SYSTEM WEIGHT: 40, 180 lbs			
JOB NO.	N/A	DATE:	12/02/2020
QUOTE NO.	IPC20-1023	DRAWN BY:	SM
SCALE:	N.T.S.	APPR. BY:	

ADJACENT REMOTE TOP TERMINAL  
BATTERY CABINET SYSTEM

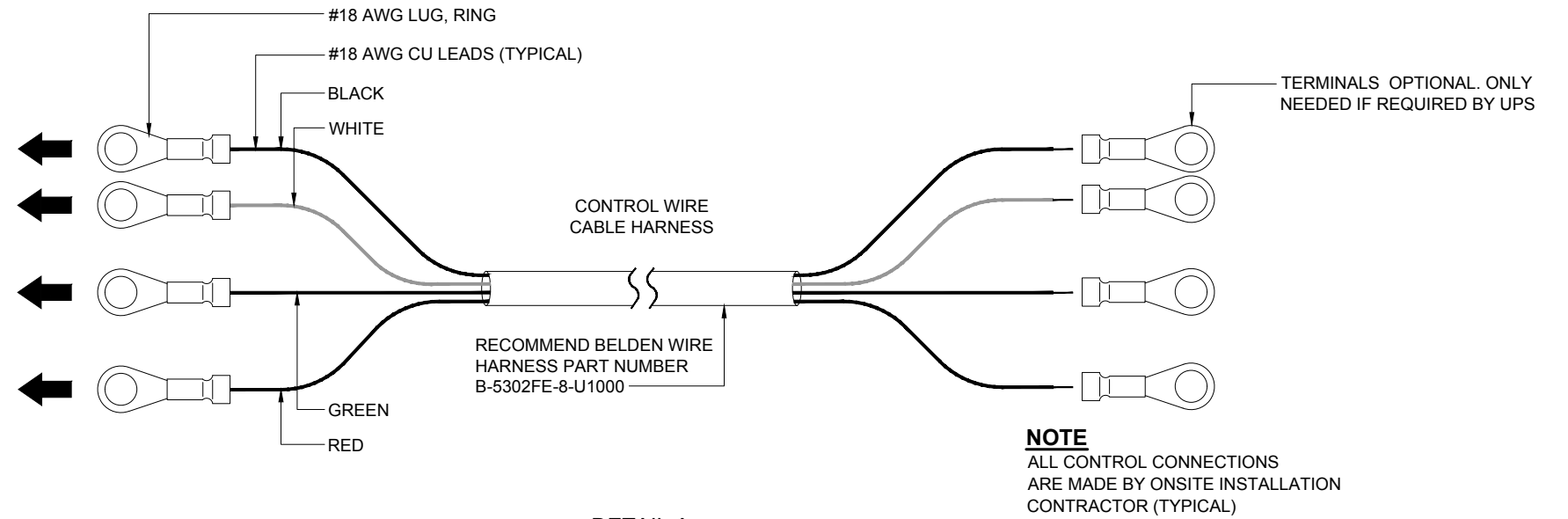
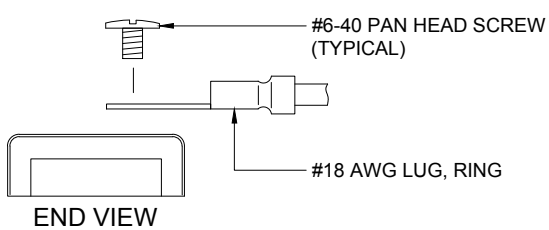
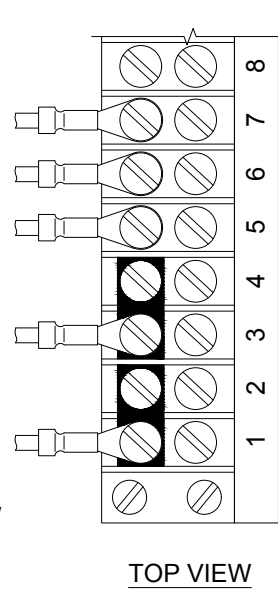
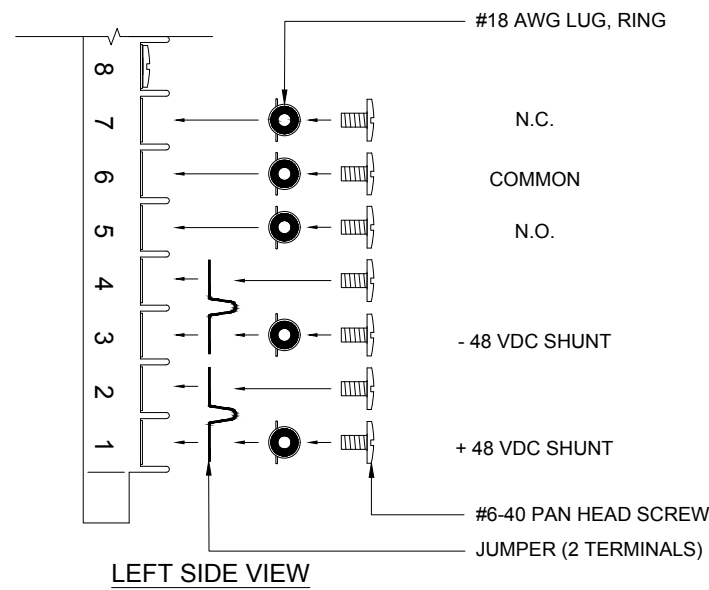
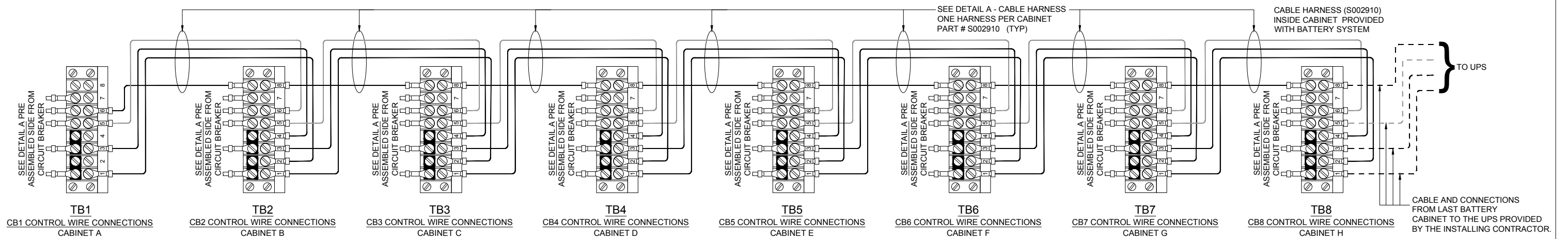
DRAWING NO.  
IP5-320D600-480-8-8D600-AR-JC

**ADJACENT BATTERY CABINET SYSTEM:**  
 ALL CABLE HARNESES ARE PROVIDED IN BOTH THE BATTERY CABINET TO BATTERY CABINET CONNECTION INCLUDING THE BATTERY CABINET CABLE HARNESS TO THE UPS.

**ADJACENT REMOTE BATTERY CABINET SYSTEM:**  
 ALL CABLE HARNESES FROM BATTERY CABINET TO BATTERY CABINET WILL BE PROVIDED. THE BATTERY CABINET TO UPS CABLE HARNESS WILL BE PROVIDED BY THE INSTALLING CONTRACTOR.

**REMOTE BATTERY CABINET SYSTEM:**  
 ALL CABLE HARNESES FROM BATTERY CABINET TO BATTERY CABINET AND BATTERY CABINET TO UPS WILL BE PROVIDED BY THE INSTALLING CONTRACTOR.

**CONTROL WIRING ROUTING**



THE INFORMATION CONTAINED IN THIS DRAWING IS THE SOLE PROPERTY OF INTRAPACK INDUSTRIES INC. ANY REPRODUCTION IN PART OR WHOLE WITHOUT THE WRITTEN PERMISSION OF INTRAPACK INDUSTRIES INC. IS PROHIBITED.

NO.	DATE	REVISION DESCRIPTION

**IntraPack**  
 10650 MARKISON ROAD  
 DALLAS, TX. 75238  
 PHONE: 214-348-7105  
 EMAIL: SALES@INTRAPACK.COM  
 WWW.INTRAPACK.COM  
 © INTRAPACK 2020

SYSTEM WEIGHT: 40, 180 lbs			
JOB NO.	N/A	DATE:	12/02/2020
QUOTE NO.	IPC20-1023	DRAWN BY:	SM
SCALE:	N.T.S.	APPR. BY:	

ADJACENT REMOTE TOP TERMINAL BATTERY CABINET SYSTEM  
 DRAWING NO.  
 IP5-320D600-480-8-8D600-AR-JC

