

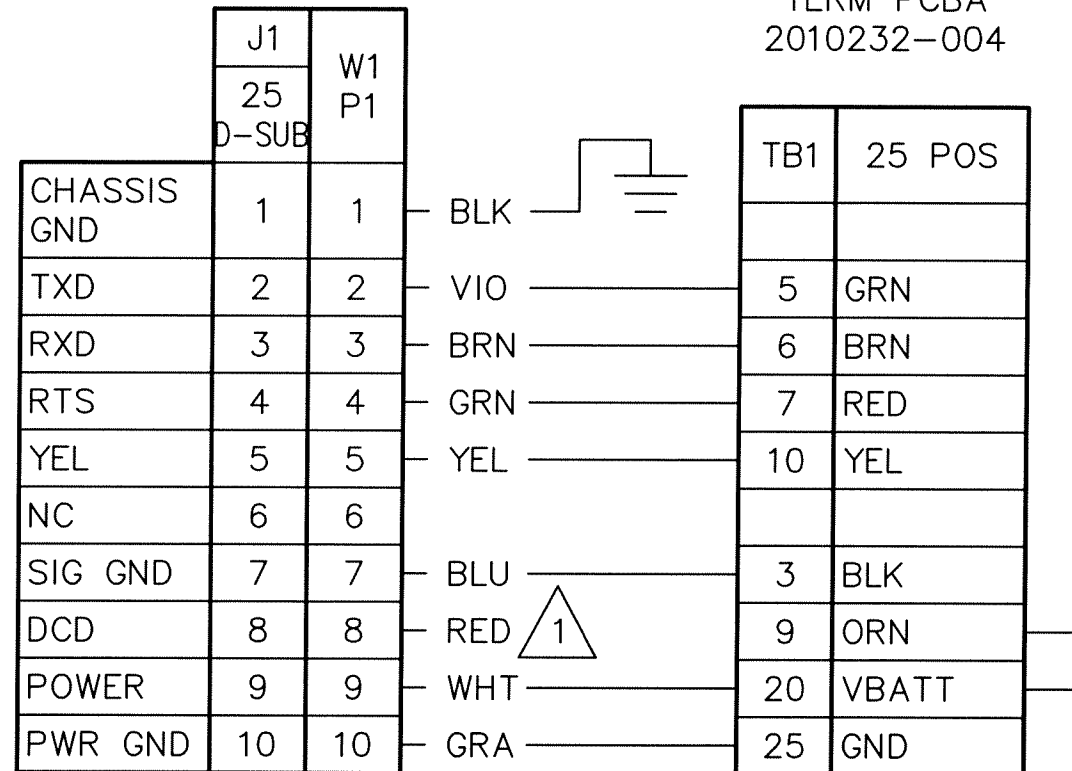
NOTES:

1 TRIM UNUSED WIRES

| REVISIONS |        |           |           |                    |          |
|-----------|--------|-----------|-----------|--------------------|----------|
| REV       | ACTION | DRAWN     | CHECKED   | APPROVED           | DATE     |
| AA        | L5112  | ROBERTSON | ROBERTSON | <i>[Signature]</i> | 4/7/12/5 |
|           |        |           |           |                    |          |
|           |        |           |           |                    |          |

DATEL MODEM ASSY  
2400/9600 BAUD  
2017226-001/002

TERM PCBA  
2010232-004



| ASSEMBLY/QUANTITY                                                             | ITEM NO. | AAI PART NUMBER                                                                                                                                                                             | DESCRIPTION | REF/ZONE DESIG MATERIAL | UNIT MEAS |
|-------------------------------------------------------------------------------|----------|---------------------------------------------------------------------------------------------------------------------------------------------------------------------------------------------|-------------|-------------------------|-----------|
| PARTS LIST                                                                    |          |                                                                                                                                                                                             |             |                         |           |
| DO NOT SCALE DRAWING                                                          |          | UNLESS OTHERWISE SPECIFIED DIMENSIONS ARE IN INCHES TOLERANCES ARE:<br>DECIMAL .XX ± --- ANGULAR ± ---<br>.XXX ± ----                                                                       |             |                         |           |
|                                                                               |          | PRODUCT LINE<br><b>TOTALFLOW®</b><br>DESIGN: <i>[Signature]</i> DATE: 4/7/12/5<br>DRAWN: B. ROBERTSON 9/7/12/04<br>CHECKED: B. ROBERTSON 9/7/12/04<br>APPROVED: <i>[Signature]</i> 4/7/12/5 |             | LEVEL 3<br>             |           |
| TITLE<br><b>WIRING INTERCONNECT<br/>DATEL MODEM TO TERM PCBA (RTU)<br/>WI</b> |          |                                                                                                                                                                                             |             | SCALE                   | REV       |
| NONE                                                                          |          |                                                                                                                                                                                             |             | B                       | AA        |
| DRAWING NO.                                                                   |          |                                                                                                                                                                                             |             | SHEET                   |           |
| 2018169                                                                       |          |                                                                                                                                                                                             |             | 1                       | OF 1      |