

INSTRUMENT TRANSFORMERS

# VOZ-11G and VOY-11G

## Outdoor voltage transformers



### Product features

- 15 kV, outdoor
- 110 kV BIL, 60 Hertz
- Electrical clearances:
  - Strike: 12.5" (317 mm)
  - Creep: 30.0" (762 mm)
- Minimum operating temperature: -50° C
- Approximate weight: 80 lbs. (36 kg)

### Application

The VOZ-11G and VOY-11G outdoor voltage transformers are designed for outdoor metering and relaying applications.

### Industry leading performance

An enhanced creep distance provides outstanding flashover resistance and increased surface area for better heat dissipation. Encapsulated in the advanced HCEP (hydrophobic cycloaliphatic epoxy) material, these units provide unparalleled performance in outdoor applications, including wet, polluted, or coastal environments.

### Terminals

The electro-tin plated copper primary line terminals accommodate #10 to 250 MCM conductors. Clamp-type secondary terminals accommodate #14 through

The VOZ-11G and VOY-11G voltage transformers are designed for outdoor metering and relaying applications.

#3 wire. A ground terminal is also provided for grounding the secondary circuit at the transformer.

### Junction box

The junction box has a 1" conduit hub on either end and a knock out for a 1" conduit fitting on the bottom. The box is anchored to the body of the transformer with screws and can be easily detached, simplifying installation and change-out procedures.

### Baseplate

The base is constructed of corrosion-resistant aluminum and is secured to the encapsulated base support.

### Mounting

The VOZ-11G and VOY-11G can be mounted in upright or cantilever positions. Stress relief devices should be used to support cable connections.

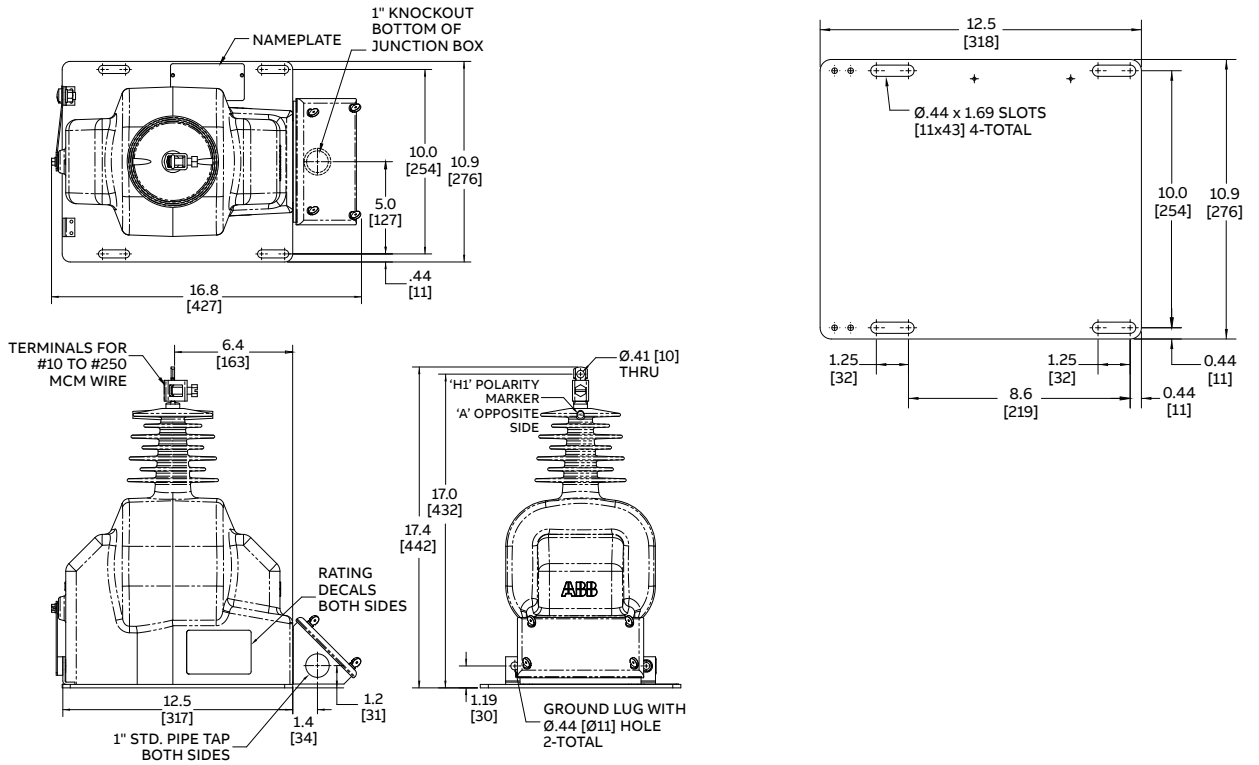
### Test reports

Test reports are stored electronically and can be e-mailed in various formats at the time of shipment.

### Standards

This unit meets or exceeds all requirements of IEEE C57.13-2016 and can be tested to other standards as requested.

## Dimensions (inches [mm])



### Selection guide

Primary voltage	Secondary voltage	Winding ratio	Metering accuracy	Thermal rating at 30° C	Rated voltage factor (RVF)*	Style number
<b>VOZ-11G</b>						
7200/12470GY	120	60:1	0.3Z	1500	1.1	E-923A633G01
7620/13200GY	120	63.5:1	0.3Z	1500	1.1	E-923A633G02
8400/14560GY	120	70:1	0.3Z	1500	1.1	E-923A633G03
12000/12000GY	120	100:1	0.3Z	1500	1.1	E-923A633G04
13200/13200GY	120	110:1	0.3Z	1500	1.1	E-923A633G05
14400/14400GY	120	120:1	0.3Z	1500	1.1	E-923A633G06
<b>VOY-11G</b>						
7200/12470GY	120	60:1	0.3Y	750	1.9	E-923A657G01
7620/13200GY	120	63.5:1	0.3Y	750	1.9	E-923A657G02
8400/14560GY	120	70:1	0.3Y	750	1.9	E-923A657G03

\* RVF for 8 hours

Additional styles available upon request. Contact your ABB sales representative or call +1-252-827-3212 for more information.