

# Harnessflex Fast-Fit

## Type C90 90° Elbow Fitting

**Harnessflex**  
SPECIALIST CONDUIT SYSTEMS



Harnessflex Fast-Fit Type C90 90° elbow fitting, provides maximum cable protection to the highest possible IP rating when used with Harnessflex NC conduit

**Certifications / Standards:**

(Refer to tables for certifications details)



**Features & benefits:**

- One piece design with integrated conduit and thread sealing
- Provides continuation of cable protection between conduit and cable entry points
- High level of mechanical protection and highest degree of ingress protection against solids and liquids
- Secure conduit clip design
- External male thread for insertion into metric threaded entries or knockout holes
- Locknut included
- Conduit and thread size indicators

**Applications:**

- Construction vehicles
- Agricultural machinery
- Trucks
- Heavy duty and special purpose vehicles

**Suitable for conduit type :**

- Harnessflex NC

**Material:**

- Polyamide (Nylon) 66 - Body, TPE seal

**UV Resistance:**

- Very high

**Temperature range:**

- Static short term: -50°C to +120°C
- Static long term: -50°C to +105°C
- Dynamic short term: -45°C to +120°C
- Dynamic long term: -45°C to +108°C

**Ingress protection:**

- IP66 - as standard
- IP67 - as standard
- IP68 - as standard (2 Bar 30 mins)
- IP69K - as standard

**Fire performance:**

- Self extinguishing
- Low smoke toxicity
- Halogen free

**Conforms to:**

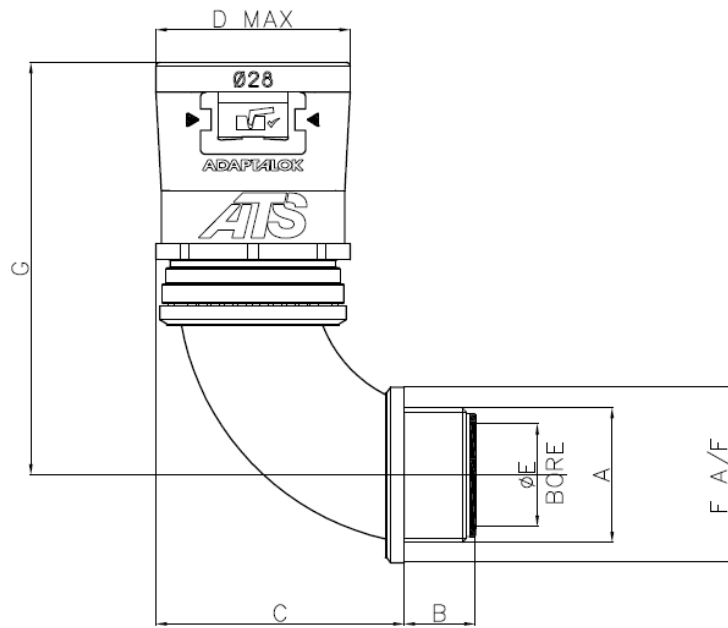
- CE marked to Low Voltage Directive 2014/35/EU
- BSI Kitemark KM35161 to BS EN 61386
- CEI 11170 LR3 / LR4
- UL1696 Approved

**Chemical resistance:**

- View our chemical resistance guide [here](#).

**Fast-Fit Type A fitting – Part Numbers and Dimensions**

Part No. Black body (metric)	Metric				Nominal dimensions (mm)			
	thread A	B	C	D	E	F	G	
HTS12/M16/C90	M16 x 1.5	11.5	31.5	21.2	11.0	22.0	65.2	
HTS16/M16/C90	M16 x 1.5	11.5	33.1	23.2	11.0	22.0	65.2	
HTS16/M20/C90	M20 x 1.5	13.0	34.2	23.2	11.0	27.0	70.0	
HTS20/M20/C90	M20 x 1.5	13.0	36.1	30.2	15.4	27.0	72.0	
HTS28/M25/C90	M25 x 1.5	15.0	45.1	37.2	19.0	32.1	76.4	
HTS32/M32/C90	M32 x 1.5	16.0	57.0	44.2	25.9	38.9	86.4	
HTS40/M40/C90	M40 x 1.5	16.0	73.5	54.2	33.3	57.4	104.7	
HTS50/M50/C90	M50 x 1.5	16.0	94.5	65.0	43.8	59.0	127.6	



**Thermal properties**

Test type	Standard	Requirement	Value
Minimum temperature	-	Permanent static use	-40°C
Minimum temperature	BS EN 61386-23	Dynamic Use (5000 cycles)	-45°C
Maximum temperature	-	Permanent static use	105°C
Maximum temperature	BS EN 61386-23	Dynamic Use (5000 cycles)	120°C
Static short term use	-	Temporary use (3000 hours)	-40 to 120°C

**Flammability**

Test type	Standard	Requirement	Result	Value
Glow wire	BS EN 60695-2-11	Extinguish within 30s	850°C	°C
Flammability	IEC 61386-1-12	1Kw Burner Flame to Self Extinguish	Pass	
Oxygen Index - Nylon body	ISO 4589-2		21.1	%
Oxygen Index - Elastomer seal	ISO 4589-2		20.2	%
Ignition Rating - Nylon Body	NF F16-101	I Rating	I4	
Ignition Rating - Elastomer Seal	NF F16-101	I Rating	I4	

—  
**Smoke**

Test type	Standard	Requirement	Result	Unit
Fume Rating - Nylon Body	NF F16-101	F Rating	F2	
Fume Rating - Elastomer Seal	NF F16-101	F Rating	F2	

—  
**Toxicity**

Test type	Standard	Requirement	Result	Value
Halogen Free	NFX 70-100	<0.5%	Pass	

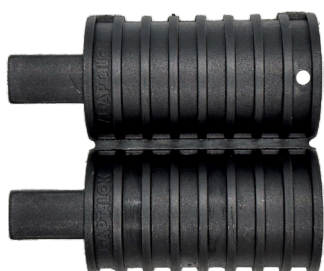
—  
**Pre-test conditions**

Duration	Standard	Temperature	Relative humidity
168 (hrs)	BS EN 61386-1	23°C	50%

TECHNICAL DATA SHEET

# Harnessflex Fast-Fit Removal Tool

**Harnessflex**  
SPECIALIST CONDUIT SYSTEMS



Harnessflex Fast-Fit Removal tool for simple, safe removal of Fast-Fit fittings.

**Features & benefits:**

- Safe and simple removal and of Harnessflex Fast-fit fittings

**Material:**

- Polyamide 6
- Black

**Instructions:**

1. Slide removal tool over conduit
2. Align tabs with retention clips on fitting
3. Slide removal tool into fitting, pushing the tabs underneath the clips
4. Remove fitting from conduit

Harnessflex Fast-Fit Removal Tool	
Part Number	Harnessflex Fast Fit Fitting Size (mm)
HTS12/RT	12
HTS16/RT	16
HTS20/RT	20
HTS28/RT	28
HTS32/RT	32
HTS40/RT	40
HTS50/RT	50

