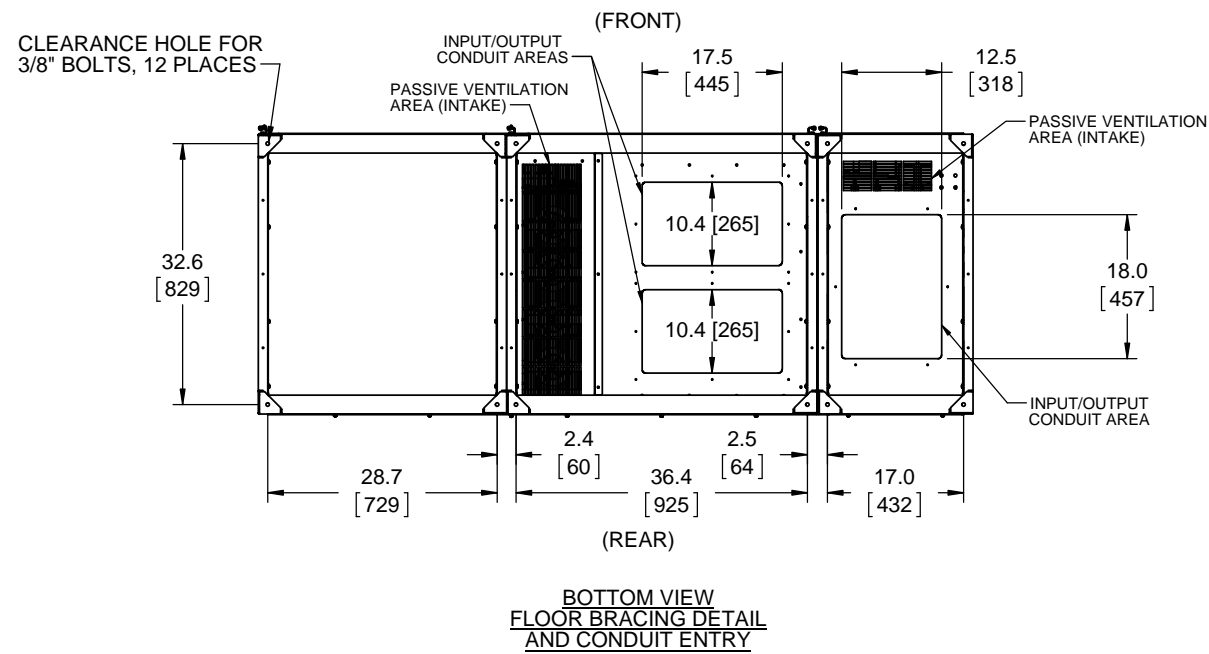
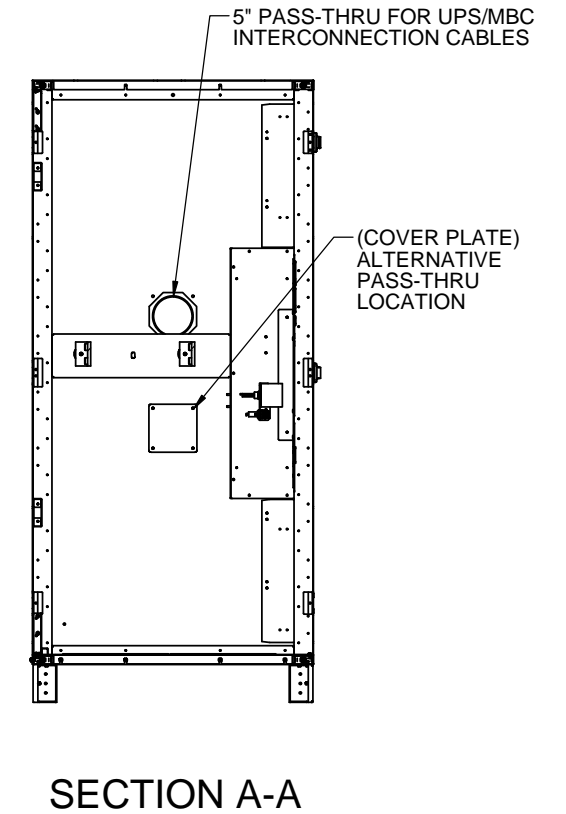
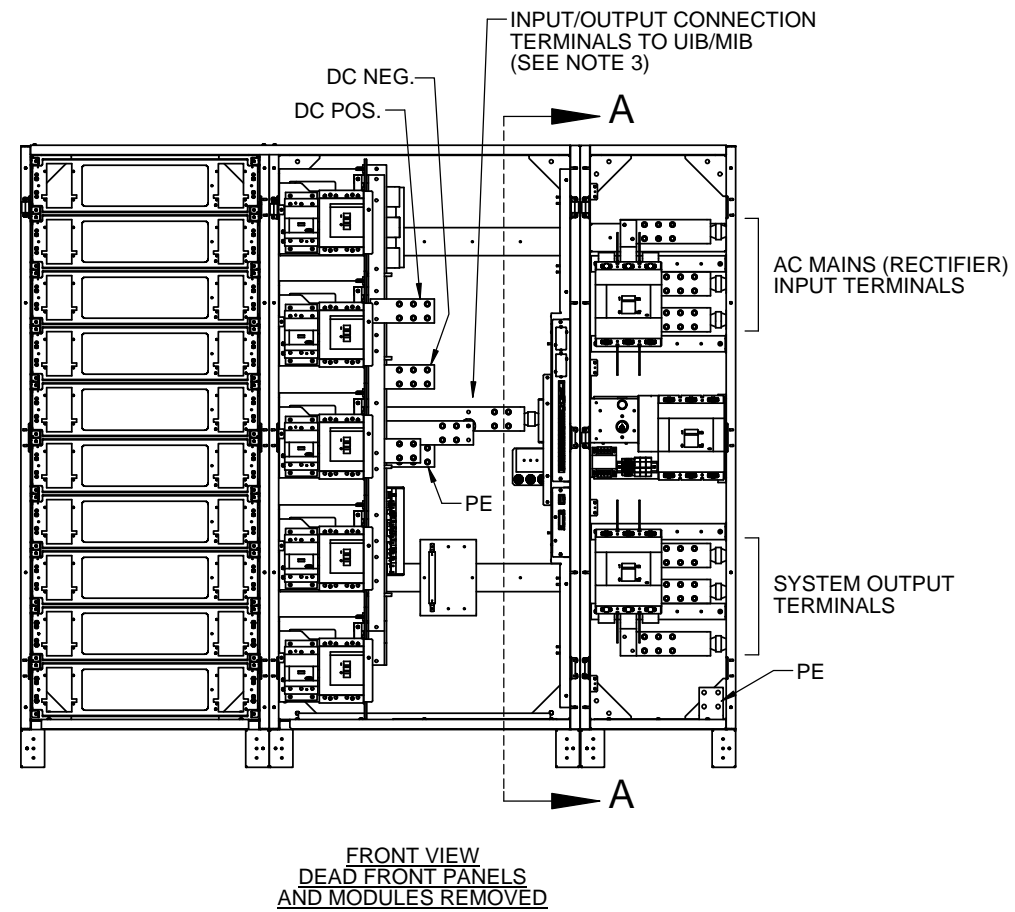
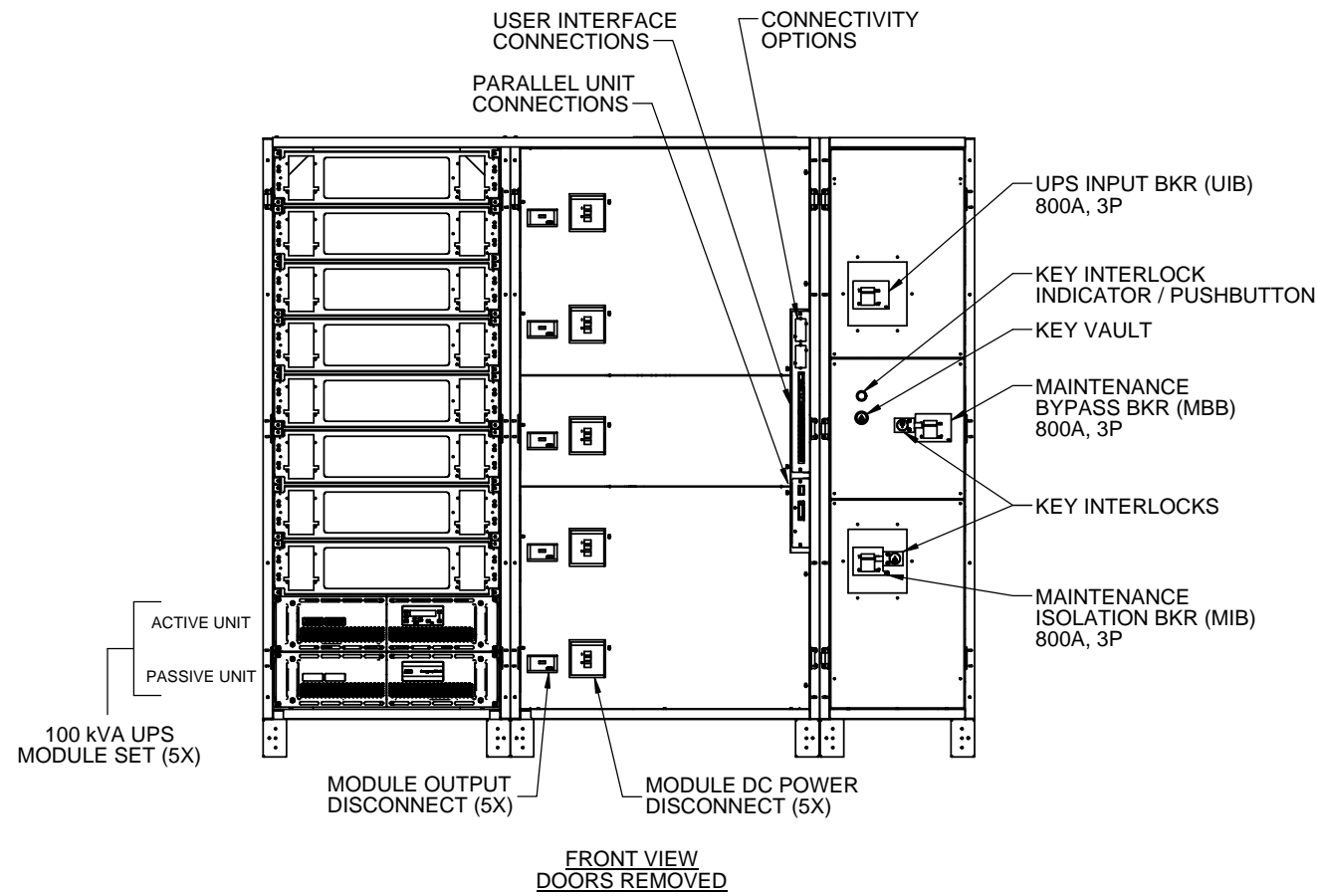


We reserve all rights in this document and in the information contained therein. Reproduction, use or disclosure to third parties without express authority is strictly forbidden. © Copyright 2014 ABB



NOTES:

1. INSTALLATION SHALL COMPLY WITH ALL APPLICABLE NATIONAL, STATE, AND LOCAL CODES.
2. ANCHORING AND CONDUIT DIMENSIONS ARE GIVEN FOR REFERENCE ONLY. REFER TO PRODUCT DOCUMENTATION FOR ADDITIONAL DETAILS PRIOR TO SITE PREPARATION OR INSTALLATION.
3. WHEN BYPASS CABINET IS LOCATED NEXT TO UPS, CUSTOM CABLE OPTION MAY BE CHOSEN. KIT IS SUPPLIED WITH SIDE PANELS FITTED WITH PASS-THRU HOLES AND CHASE NIPPLE. (SEE SECTION A-A)

Material See Notes, Sheet 1	Finish See Sheet 1	Prepared P. Francis	Title OUTLINE DRAWING Conceptpower DPA500 Decentralized Modular UPS With Bypass 500kVA, 480VAC, UL Listed	Units Inch [mm]	Sheet Size B	Scale 1:24	
Tolerances N/A		Approved C. Belcastro	Document Kind DetailDrawing	Item ID 94-9200-00000008	Item Rev. A00	Date Drawn 09/24/2015	
		Division/Dept. DMPC/Power Protection	ABB	Document ID 94-9200-00000008	Doc. Rev. A00	Page 2 / 2	