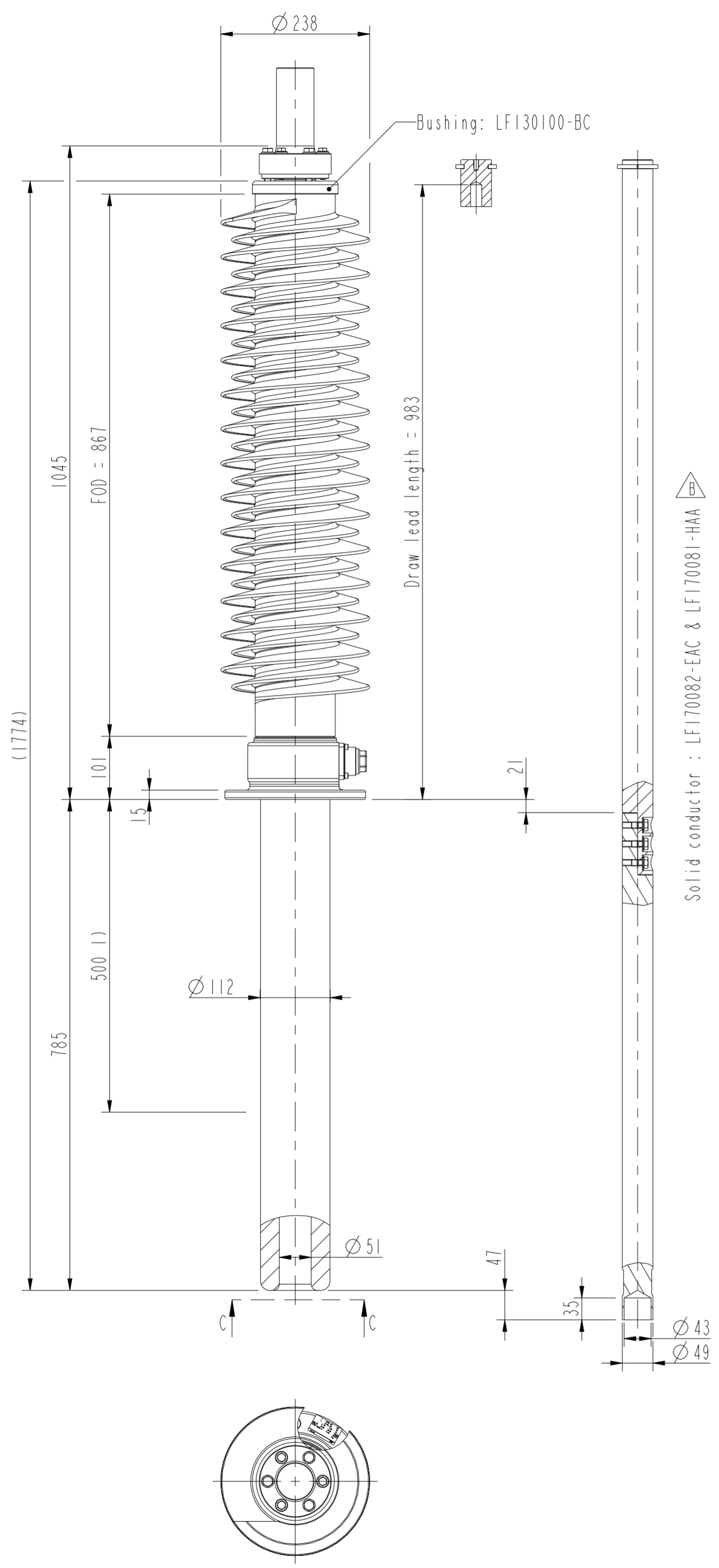


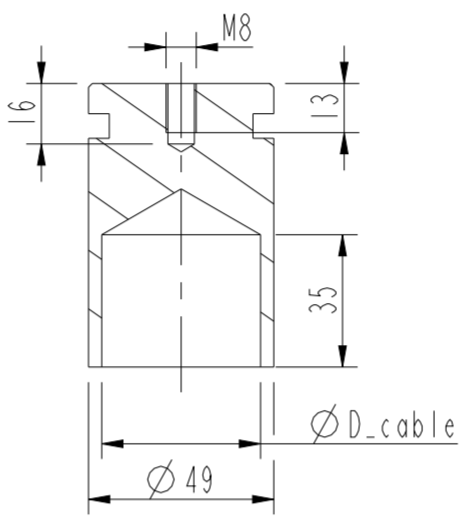
This document is issued by means of a computerized system. The digitally stored original is electronically approved. The approved document has a date entered in the "Approved"-field. A manual signature is not required.

We reserve all rights in this document and in the information contained therein. Reproduction, use or disclosure to third parties without express authority is strictly forbidden.

Revision: Revision text  
B Solid conductor added



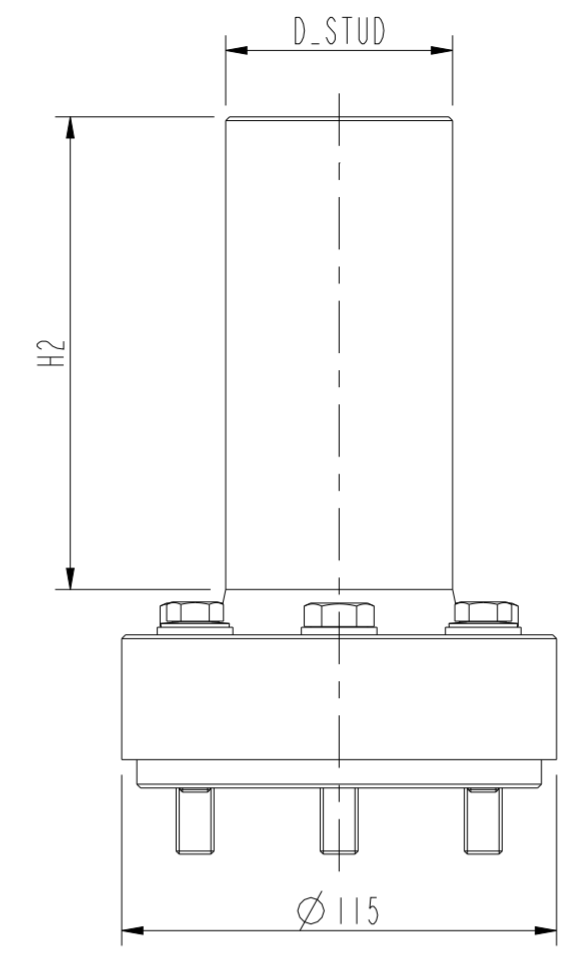
INNER TERMINAL	
Catalogue No.	D.CABLE
LF170080-A	5
LF170080-B	11
LF170080-C	13
LF170080-D	15
LF170080-E	18
LF170080-F	30
LF170080-G	42
LF170080-H	45



SOLID CONDUCTOR	
Catalogue No	MASS
LF170081-HAA	18,2

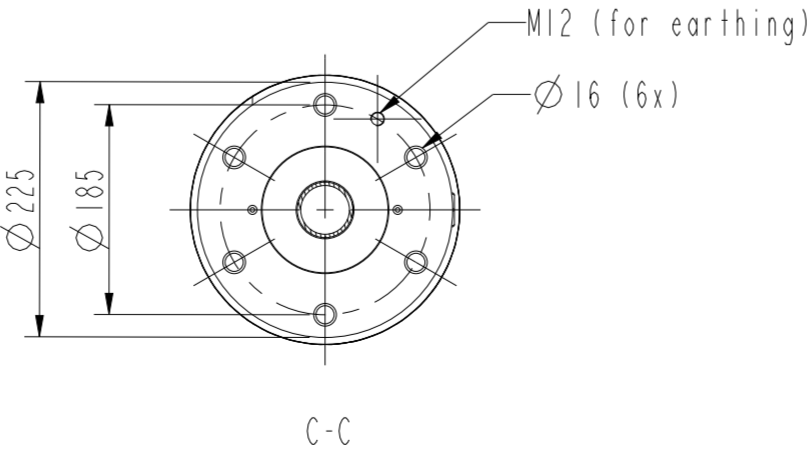
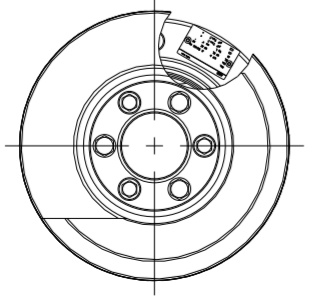
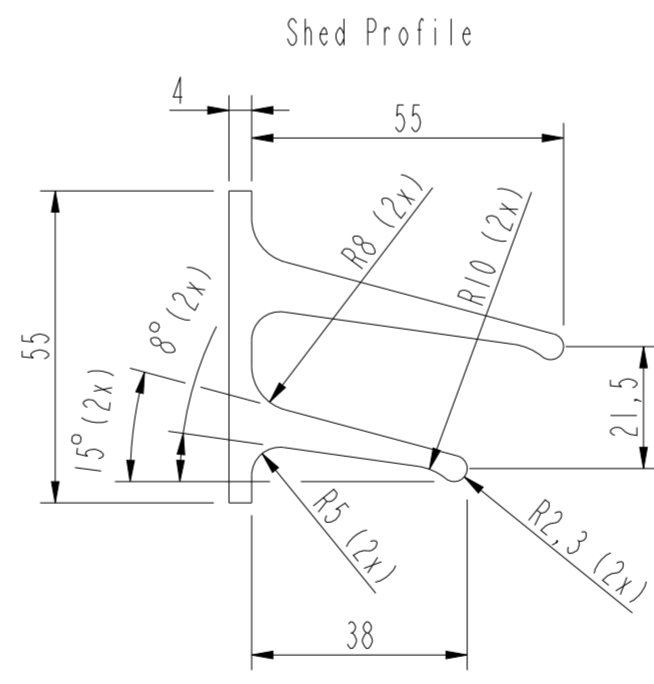
  

SOLID CONDUCTOR	
Catalogue No	MASS
LF170082-EAC	12,1



OUTER TERMINAL				
Catalogue No	MATERIAL	MASS	H2	D_STUD
LF170079-A	Al	2,3	125	60
LF170079-B	Al	1,5	125	30
LF170079-C	Cu	6,1	125	60
LF170079-D	Cu	3,5	125	30
LF170079-E	Cu/Sn	6,1	125	60
LF170079-F	Cu/Sn	3,5	125	30
LF170079-G	Cu/Ag	6,1	125	60
LF170079-H	Cu/Ag	3,5	125	30
LF170079-K	Cu	4,5	150	40
LF170079-AH	Cu	4,1	125	1 1/2" UNF
LF170079-AK	Cu/Ag	3,9	100	1 1/2" UNF
LF170079-AL	Cu/Ag	4,9	190	40
LF170079-AM	Cu/Ag	3,8	100	38

△ Solid conductor : LF170082-EAC & LF170081-HAA



**ABB** Luleå, Sweden

GSA 100-OA 1600/0.5 LF130100-BC No.

Um 100 kV Ir 1600 A 50/60 Hz

BIL 450 kV SIL - kV AC 205 kV

M 26 kg L 785 mm ∠ 0-90°

C1 pF Tan δ x

C2 pF Tan δ x

ELECTRICAL DATA, acc. to IEC 60137			
Ratings	Rated Voltage	100	kV
	Max. phase to earth voltage	71	kV
	Max. phase to earth voltage, temporary	100	kV
	Max. current with Cu-conductor	1600	A
	Max. current with stranded cable 740 mm <sup>2</sup>	1250	A
	Dry lightning impulse	450	kV
	Wet power frequency	185	kV
Routine test	Dry power frequency	205	kV
Capacitance	Nominal capacitance	488	pF

GENERAL DATA, acc. to IEC 60137			
Silicone rubber insulator	Creepage distance	3150	mm
	Protected creepage distance	2600	mm
	Colour	LIGHT GREY ANSI 70	
Mass	Mass bushing	26	kg
Cantilever	Cantilever test load, heavy load	4000	N
Load	Max. cantilever operating load, bushing	2000	N
Ambient temperature		+40° to -40°C	
Mounting and Service instructions		2750 515-115	

Approved 2019-05-16	Document Kind Outline Drawing	Based on doc.id	Work order id	Project id
Company ABB Technology Ltd	Title, Supplementary title Dimension drawing GSA 100-OA 1600/0.5			
Responsible Department SEABB-9AAE300824	Måttskiss GSA 100-OA 1600/0.5			
<b>ABB</b>	Document id 2751362-CBC	Status Released	Revision B	Iteration 1/1

1) Maximum space for CT