



Current sensors RGLPM BCM TR & iTR



553342A



RGLPM BCM TR-10
Ref. 48ABB555
RGLPM BCM iTR-10
Ref. 48ABB655



RGLPM BCM TR-14
Ref. 48ABB556
RGLPM BCM iTR-14
Ref. 48ABB656



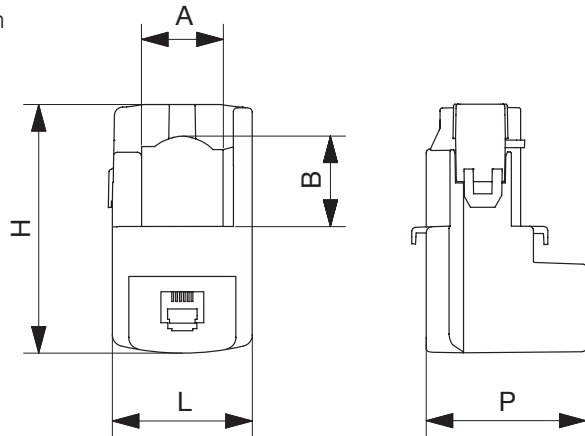
RGLPM BCM TR-21
Ref. 48ABB557
RGLPM BCM iTR-21
Ref. 48ABB657



RGLPM BCM TR-32
Ref. 48ABB558
RGLPM BCM iTR-32
Ref. 48ABB658

Minimum 90°C wire required. Warning: To reduce risk of electric shock, always open or disconnect circuit from power-distribution system (or service) of building before installing or servicing current transformers. Warning: To reduce risk of electric shock, always open or disconnect circuit from power-distribution system (or service) before opening Split Core current transformers. The current sensors may not be installed in a panel where they exceed 75% of the wiring space of any cross-sectional area within the panel. Restrict installation of current transformer in an area of breaker arc venting. Not suitable for Class 2 wiring methods and Not intended for connection to Class 2 equipment. Secure current transformer and route conductors so that the conductors do not directly contact live terminals or bus. Wiring of the current transformers shall be maintained within the same end-product enclosure. Sensors must be enclosed in an NRTL certified electrical/fire enclosure, listed Industrial Control Panel Equipment, or similar equipment. Only RGLPM BCM TR-10, RGLPM BCM iTR-10, RGLPM BCM TR-14, RGLPM BCM iTR-14, RGLPM BCM TR-21, RGLPM BCM iTR-21, RGLPM BCM TR-32 and RGLPM BCM iTR-32, current transformers are UL 61010-1, UL 61010-2-030, E198157 compliant. Intended use/location: indoor Measurement category: III.

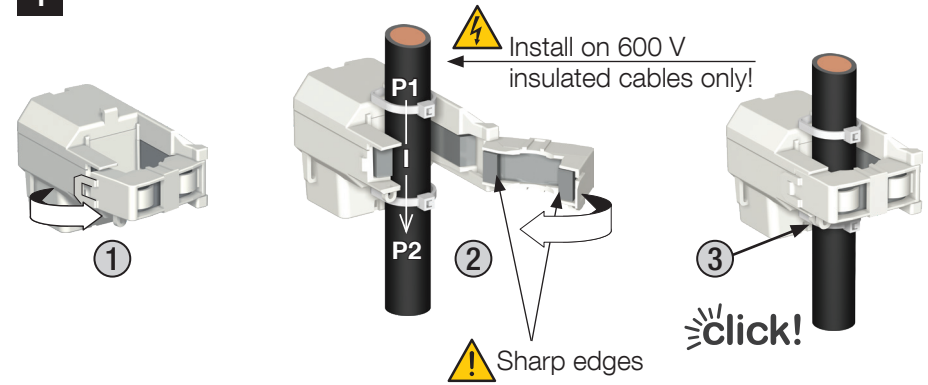
Dual dimension in/mm



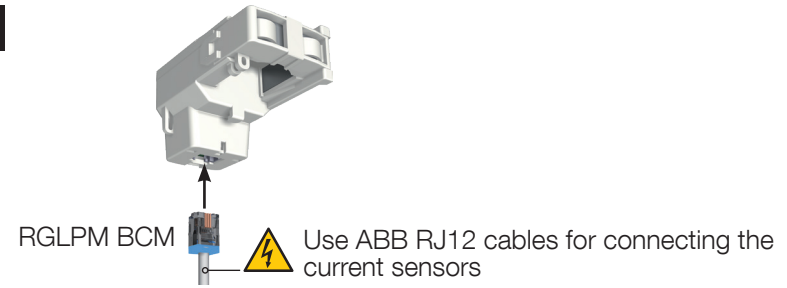
	L x H x P	A	B	Recommended cable section	Window	I nom.	I max.
RGLPM BCM TR-10 RGLPM BCM iTR-10	1.02 x 1.73 x 1.10 26 x 44 x 28	-	-	- 6 mm ²	10	25 ... 63A	75.6A
RGLPM BCM TR-14 RGLPM BCM iTR-14	1.14 x 2.63 x 1.10 29 x 67 x 28	0.55 14	0.59 15	- 10 mm ²	14	40 ... 160A	192A
RGLPM BCM TR-21 RGLPM BCM iTR-21	1.45 x 2.56 x 1.69 37 x 65 x 43	0.82 21	0.90 23	- 50 mm ²	21	63 ... 250A	300A
RGLPM BCM TR-32 RGLPM BCM iTR-32	2.08 x 3.38 x 1.85 53 x 86 x 47	1.26 32	1.30 33	- 50 mm ²	32 *	160 ... 600A	720A

* \square max = 1.18 x 0.98 in / 30 x 25 mm
 \varnothing max = 1.26 in / 32 mm

1



2



Although the contact surface of the core material has been waterproofed, it may still be susceptible to rust. Please use WD-40 or CRC5-56 to clean the contact surface in case of rust. When cleaning the core or housing, do not use any chemicals other than WD-40 or CRC5-56.

