

08/2023

AP45 surface-mounted junction box

For installations with limited space



New smaller surface mounted junction box introduced to ABB's AP-series with all the same well-known features for easy and fast installation.

AP45 is designed for Nordic conditions with excellent cold temperature performance and protective class rating. Its small size is especially handy for installations with limited space.

AP45 is equipped with 8 self-sealing membrane cable entries for cables up to Ø 17 mm and 4 for cables up to Ø 10 mm. The membranes enable easy cable installation by simply inserting the stripped ends through the inlets.

The cover locks by snapping and can be opened by inserting a screwdriver (for example) into the opening slots - no screws needed.

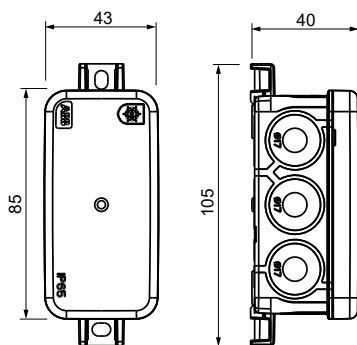
The junction box has places for screws inside the box and has external fastening points on both sides, which gives flexibility in fastening options.

AP45 is compatible with the award-winning AS9.10 strain-relief.

AP45 boxes are approved for IP65 classification, and they are protected against cold environments and suitable for use at temperatures down to -25 °C.



Technical information:	
Dimensions (LxWxH):	105x43x40 mm
Enclosure class:	IP65
Mounting temperature:	-25 ... +60 °C
Rated voltage:	500 V
Total cable entries:	12
Available colors:	- Grey (RAL 7035) - Black (RAL9011)
Max. conductor cross section:	2,5 mm ²
Weight:	33 g
Manufacturing country:	Finland



Order information:

Type	Product ID	EAN	Description	Package
AP45G	2TKA00005253	6438199012575	Surface mounted junction box, grey	24/240
AP45M	2TKA00005256	6438199012582	Surface mounted junction box, black	24/240
Accessory:				
AS9.10	2TKA00003876	6438199005355	Strain-relief for 3 cables, Ø 6 – 17 mm	10/100



AP45 boxes are produced using recycled material* which reduces the carbon footprint and saves natural resources, especially water.

ABB helps customers make environmentally friendly choices. Type III Environmental Product Declarations (EPD) are published for AP45 boxes for full transparency environmental impacts across the entire product lifecycle. AP45 boxes are manufactured in Finland with short logistics chains. The product package has up to 90 % of recycled content, and the use of plastic is minimized.

Additionally, AP45 junction boxes are certified with the ABB EcoSolutions™ label, which guarantees that the product is designed and produced to follow strict circularity guidelines set by ABB. Our own Eco label helps us in our journey toward more sustainable products.

To help preserve the Earth's resources for future generations, ABB takes a company-wide approach to circularity. We aim to innovate toward new circular business models by cutting waste, increasing recyclability and reusability, and making our products more durable. We work closely with customers and suppliers to embed circularity across the value chain.

For more information visit:

<https://global.abb/group/en/sustainability/ecosolutions>



ABB
Eco
Solutions™

ABB Oy
Porvoon Sisäkehä 2, PO Box 16
FI-06101 Porvoo, Finland
Phone: +358 10 22 11

abb.com
installationmaterials.com

* Detailed information can be found in EPD.