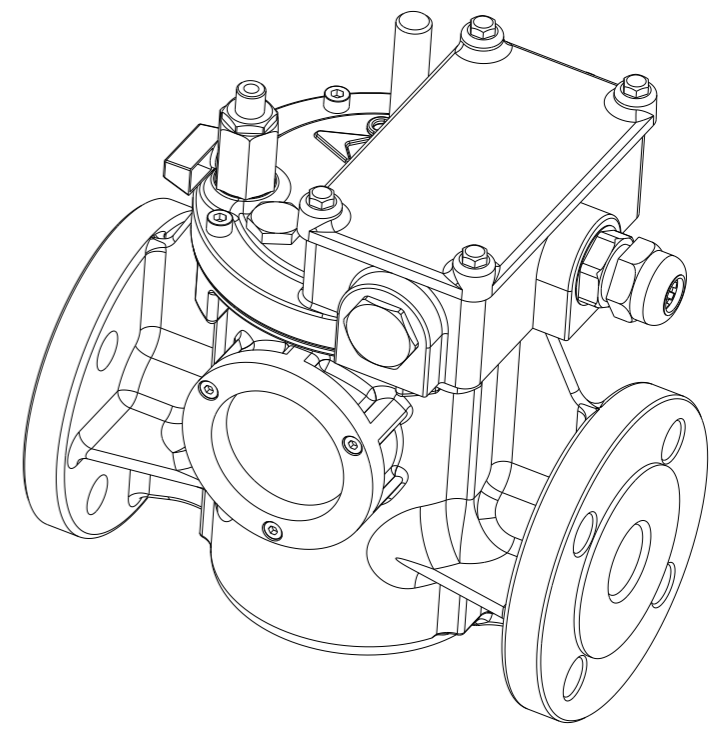
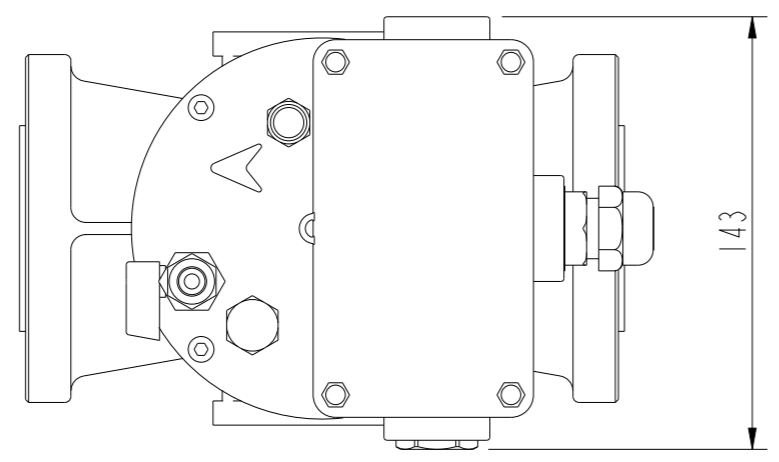
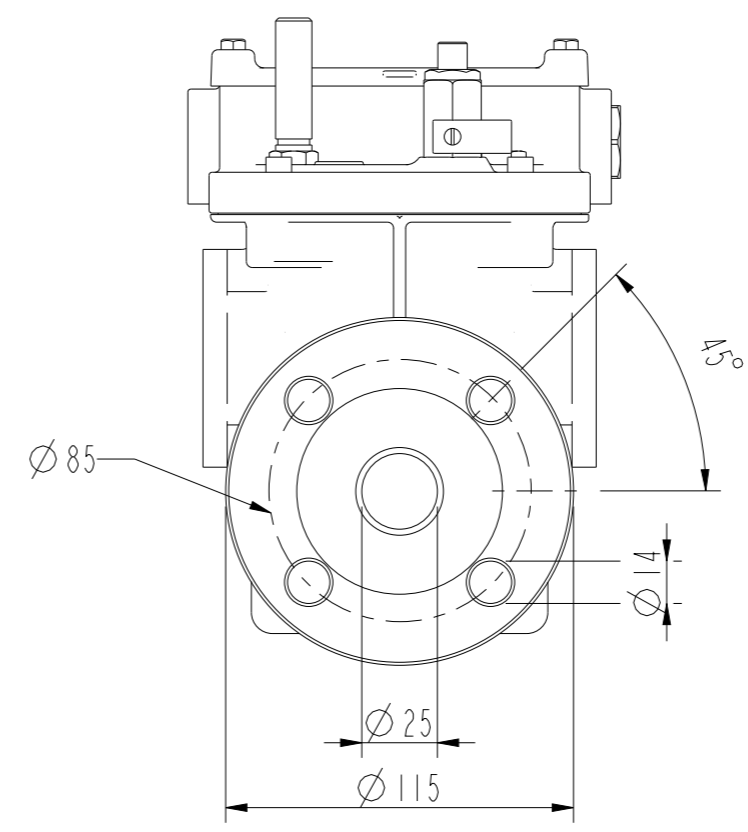
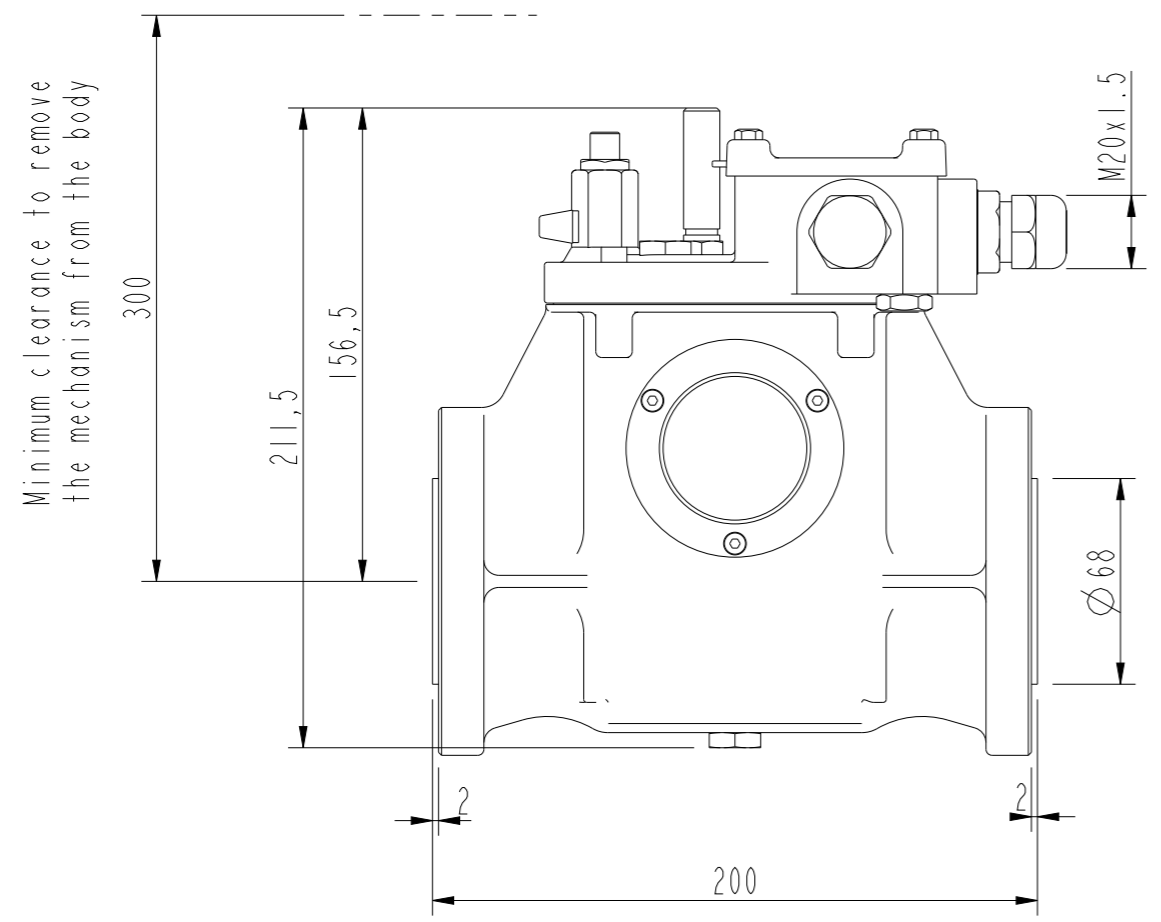




This document is issued by means of a computerized system. The digitally stored original is electronically approved. The approved document has a date entered in the 'Approved'-field. A manual signature is not required.

The information contained in this document has to kept strictly confidential. Any unauthorized use, reproduction, distribution or disclosure to third parties are strictly forbidden. ABB reserves all rights regarding Intellectual Property Rights. © Copyright 2013 ABB. All rights reserved.



Prepared	2013-11-05	Responsible department	PPCO/TK	Title Oil flow relay Oljeflödesrelä	 Language 82
Modified by	2013-11-06	Take over department			
Approved by	2013-11-06	Used in product			
Revision	A			Order	Sheet no. 1
				Document no.	No. Shs. (1)
				1ZSC003527-ABB	