

Quotation Request for ABB K-Tek Products AT600 Magnetostrictive Level Transmitter

Factory Contact: _____

*All Fields Required

Seller Information

Name: _____
Phone: _____
Email: _____
Company or LBU: _____
Main Phone: _____
Fax: _____

End User Information

Name: _____
Phone: _____
Email: _____
Company: _____
Country of Final Destination: _____

Note: This information will be required before accepting an order

Tag ID

Process Conditions

Temperature Range: _____ to _____

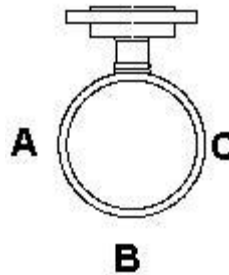
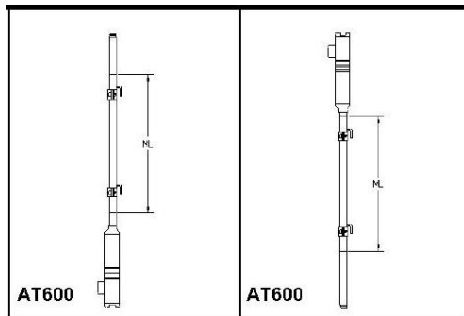
High Vibration Environment (Compressor Etc.)? Yes - No

Configuration

Select Mount:

Bottom

Top



Select Orientation:

Indicator: __A __B __C

AT Transmitter: __A __B __C

Switches: __A __B __C

Approval or Documentation Required

__CRN
__GOST - Russian
__ABS

__PED
__ASME
__Lloyds

__NACE
__FM
__CSA

__ATEX
__Other

Retrofit Information Only

Is this AT unit being retrofitted to an existing ABB MLG? Y or N
If YES, then specify the serial number: _____

Is this AT unit being retrofitted to an existing competitor MLG? Y or N
If YES, then specify competitor name: _____

Specify the MLG (see figure):

ML (measuring length): _____

X: _____

Y: _____

Does the existing MLG have an insulation blanket? Y or N
Chamber Flange Type (circle one): Slip On or Weld Neck

