

# Installation Instructions

## ReliaGear® Lighting Panelboards

### Permanent Circuit Numbers

**APN48 (Numbers 1-48)**

**APN84 (Numbers 43-84)**

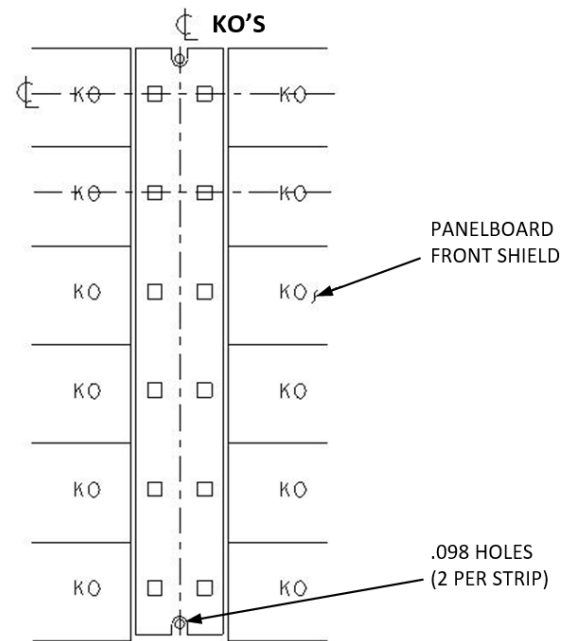
Number of Circuits	Strip Length
12	(one) 6in
18	(one) 9in
24	(two) 6in
30	(one) 6in (one) 9in
36	(two) 9in
42	(two) 6in (one) 9in
48	(one) 6in (two) 9in

#### DRILLING OF MOUNTING HOLES

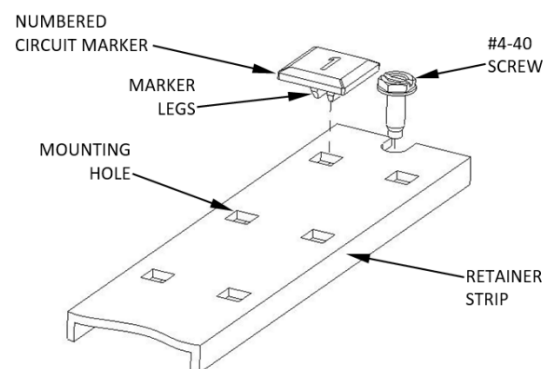
Remove shield from panel. Using mounting strip as a template, align rectangular holes with the center of the breaker openings (KO). Mark position of the radius slot at the top and bottom of each strip. Remove the strip and drill a .098 diameter hole (#39 drill) at each mark. See Fig 1. Install marker strips according to instructions below.

#### INSTALLATION OF MARKER STRIPS

Insert marker into the retainer strip mounting holes next to the circuit to be identified. Form the marker legs over to secure it in the mounting strip hole. When all the required circuit markers are attached, install the retainer strip to the front shield with the #4-40 slotted hex head thread forming screws provided (2 per strip). See Fig 2.



**Fig 1**



**Fig 2**

These instructions do not cover all details or variations in equipment, nor do they provide for every possible contingency that may be met in connection with installation, operation, or maintenance. Should further information be desired, or should problems arise that are not covered sufficiently for the purchaser's purposes, the matter should be referred to the ABB Inc.