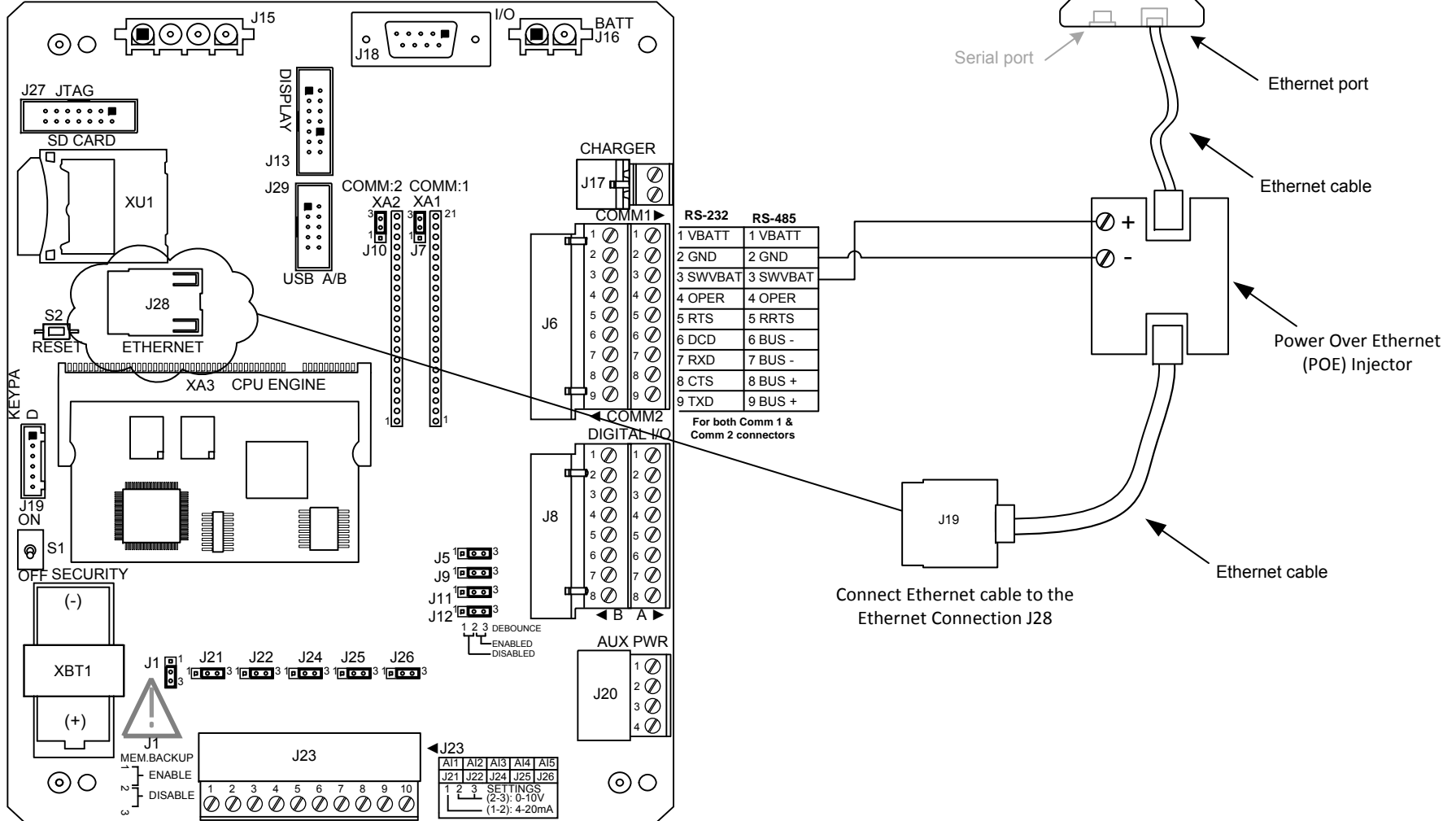


NOTES:

1. **WARNING:** This drawing does not illustrate the installation methods required for hazardous locations. Prior to any installation in a Classified Hazardous Location, verify installation methods by the Control Drawing referenced on the product's name tag and national and local codes.

2. For permanent communications on Ethernet port, set Network Adapter value to "Enable" in G4 device.

Tropos
Bridge 14101000 or Router 14103000



XRC G4 with Processor Card
2103329 Assembly

REF: N/A



TOTALFLOW
Products

ACTION
L34515

DOC TYPE
UD

TITLE
XRC^{G4} (2103329 BD) to 1410 Tropos bridge or
router via Ethernet with POE injector

DWG NO.
2105141

REV
AA

SHEET
1 OF 1