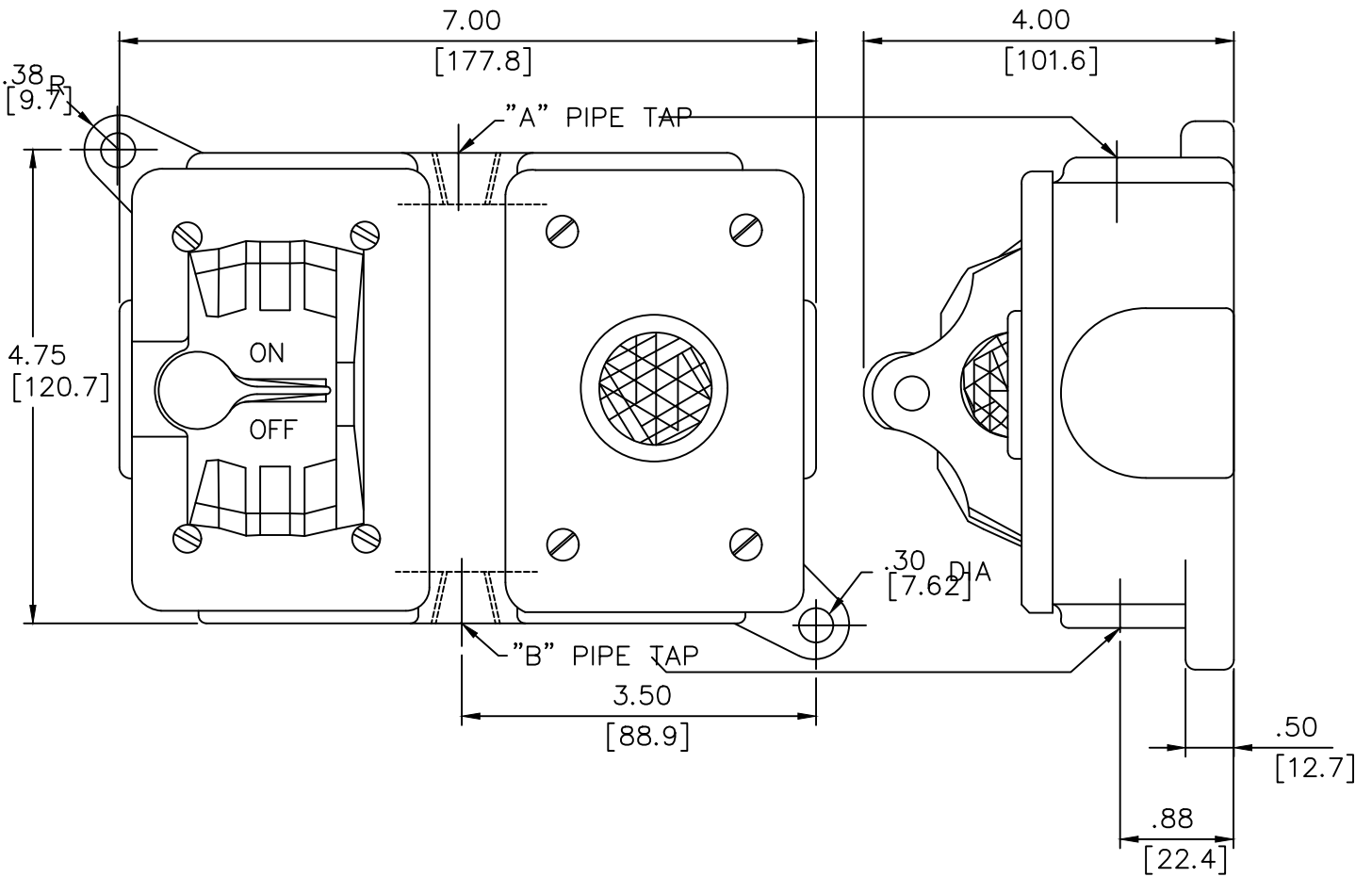


DUAL DIMENSIONS INCHES  
[MILLIMETERS]

(ESTIMATING ONLY)



PT	A	B
3	0.75 [19.1]	—
4	0.75 [19.1]	0.75 [19.1]
5	1.00 [25.4]	—
6	1.00 [25.4]	1.00 [25.4]

ABB NUMBER: 1SQC910035D0201

**ABB**

OUTLINE  
CR101 TYPE 4

THIRD ANGLE	SHEET#	DWG NO.	DATE	REV
	2 of 2	545A753	04/25	J