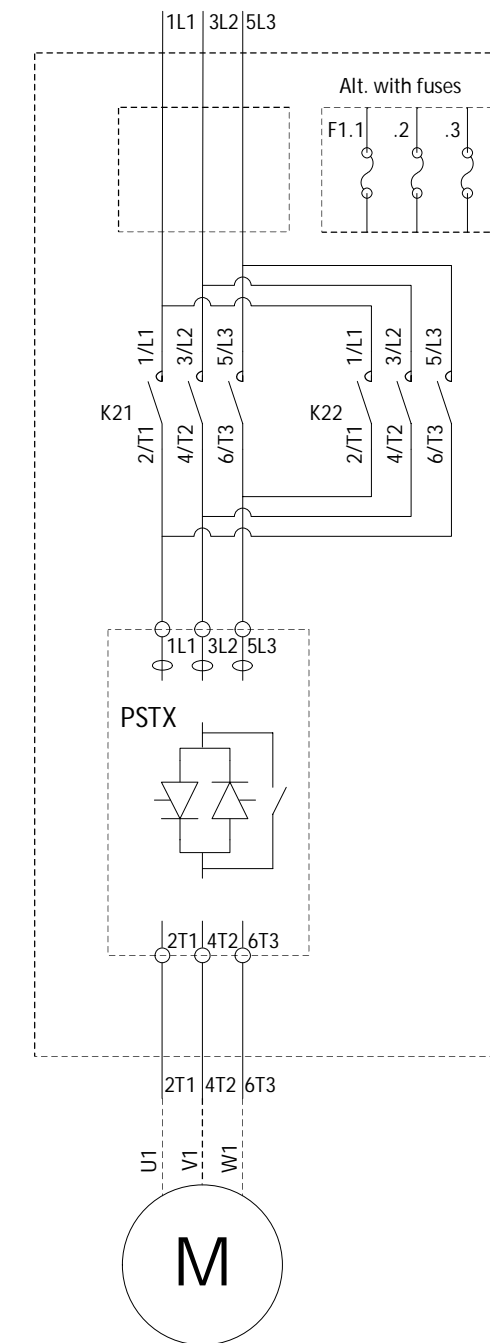
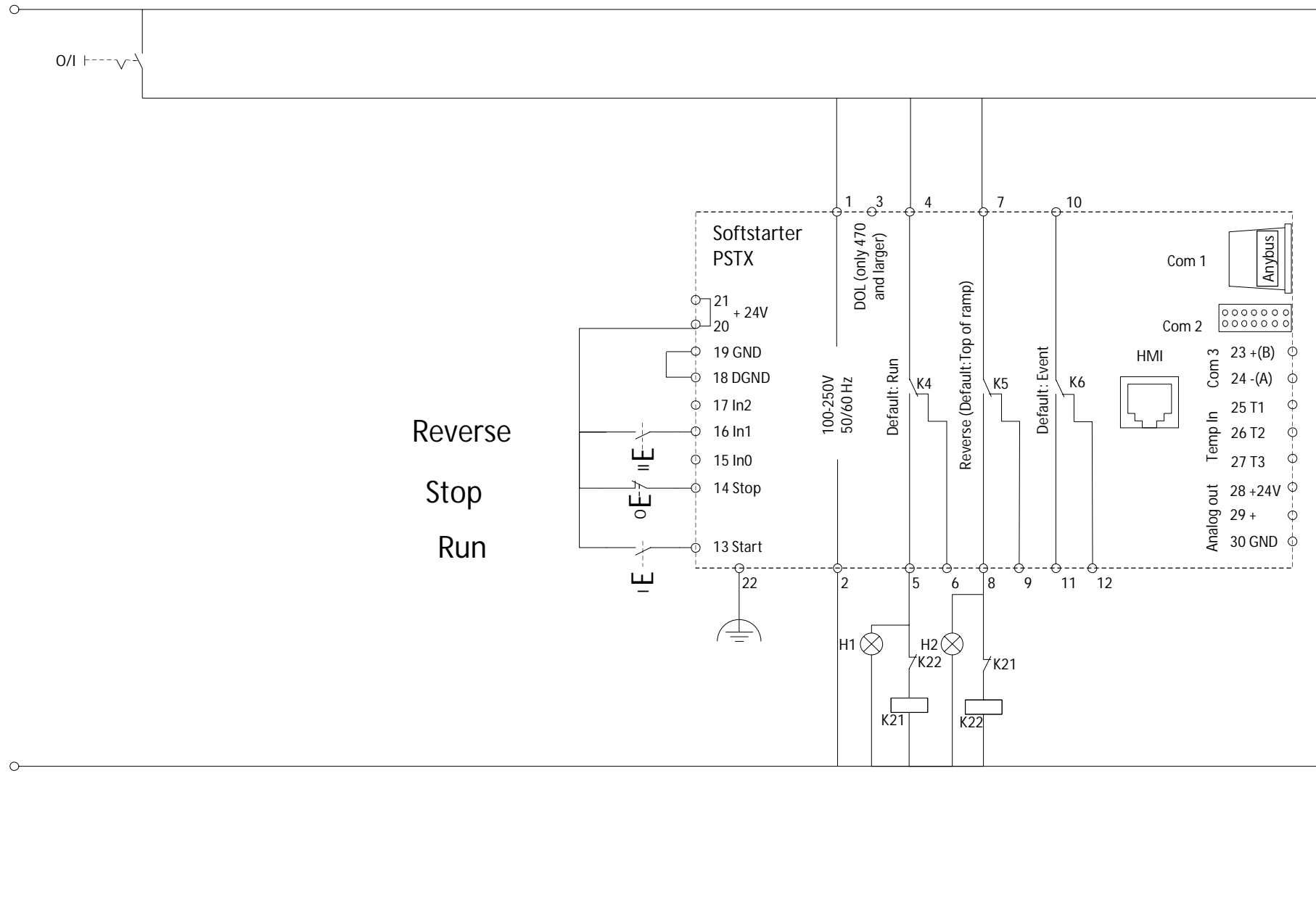


Rev	Pos	Description	Date	Sign.

Alternative In Line with reversing
 To be stopped before reversing
 Start at optional direction.
 Softstarter needs to be configured according to
 settings in manual 1SFC132081M0201.



We reserve all rights in this document and in the information contained therein. Reproduction, use or disclosure to third parties without express authority is strictly forbidden. Copyright ABB.

Proprietary and secret information

Created By Björn Johansson	State Approved	Responsible dep RE	Title Application diagram PSTX alternative reverse	Lang EN
Approved By David Wikström	Approved Date 2016-10-19	Revision B	Document Number 1SFB536005G5003	Size A3
ABB AB, Control Products				Sheet 1 of 1