

ABB MEASUREMENT & ANALYTICS | SPARE PARTS LIST

CoriolisMaster FCB300, FCH300

Coriolis mass flowmeter



Measurement made easy

Additional Information

Additional documentation on CoriolisMaster FCB300, FCH300 is available for download free of charge at www.abb.com/flow.

Alternatively simply scan this code:



Table of contents

- 1 Safety instructions for repair work..... 3**
- 2 Name plate specifications for spare parts orders 4**
 - Name plate of sensor in integral mount design (example)
4
- 3 Spare parts list 5**
 - Flowmeter 5
 - Lower connection box..... 6
 - Slide-in converter 7
 - Printed circuit board..... 8
 - External housing..... 9
 - Wall-mount housing..... 10

1 Safety instructions for repair work

ABB flowmeters are designed to be easy to repair thanks to uniform replacement parts and simple replacement of predefined parts.

However, if repair work is not carried out in accordance with the guidelines, this may result in malfunctioning of the device, causing serious injury to persons, and harm to the environment. This is especially true for safety-critical devices and those certified for use in explosion hazard environments.

Certifications will also lapse if the repairs were not carried out with the proper tool or by persons without adequate training. We therefore recommend all repair work on flowmeters be carried out by ABB service technicians.

As the manufacturer of the device, ABB cannot guarantee the necessary quality of the repair procedures if the work and/or parts exchange was not carried out by ABB.

The plant operator is responsible for all repairs carried out by the customer, plant operator, or third party. In this case, ABB will reject all responsibility for any improper device functionality, in particular all safety-related functions.

ABB does not assume any liability for the deterioration or loss of device performance, malfunctions, or damage arising from the above repair work or replacement. All liability for defects shall lapse when the replacement or repair work is not carried out by ABB.

If you are unsure about the repair process even if some or all replacement parts are available, please get in touch with ABB Service before beginning work.

Respect national and internal laws when carrying out repairs. In particular laws relating to certified flowmeters used in explosion hazard environments. Repair work which is carried out without following the legal requirements can result in the revocation of your operating permit.

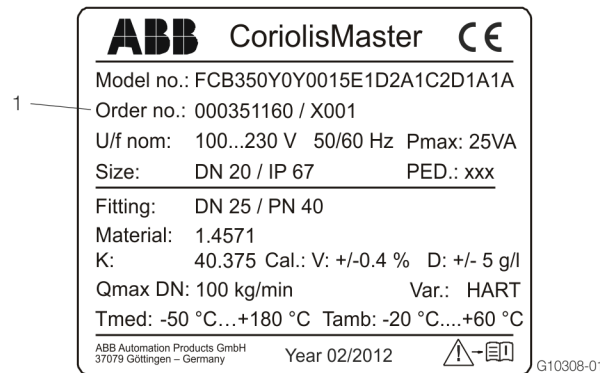
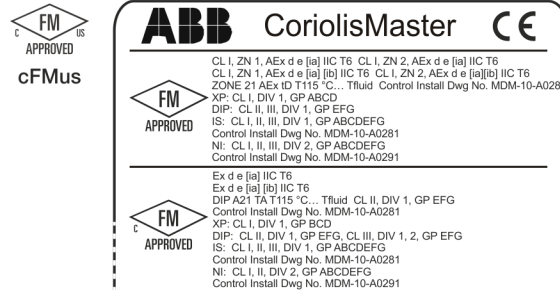
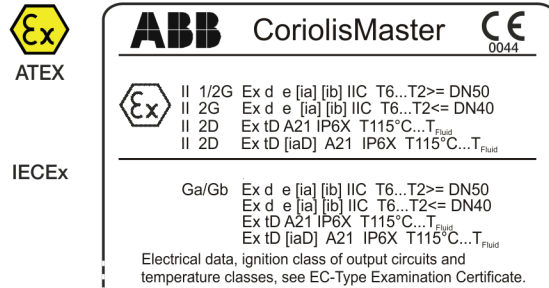
For more information, go to <http://new.abb.com/service/repairs> or contact your local ABB Customer Service Center.

2 Name plate specifications for spare parts orders

The flowmeter version can be identified by referring to the name plate that is attached to the housing.

Name plate of sensor in integral mount design (example)

When placing spare parts orders, always remember to state the order number as shown on the name plate.



① Order number

Figure 1 Name plate of sensor in integral mount design (example)

Note

Prices available upon request!

3 Spare parts list

Flowmeter

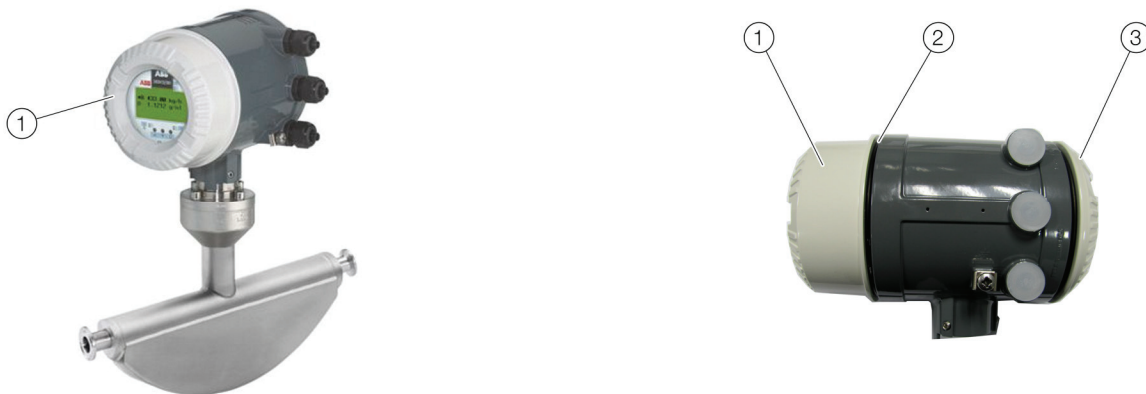


Figure 2: Flowmeter

Number	Designation	Variant	Ordering number	Recommended sparePrice (€) part
①	Cover with viewing window	Standard	D612A191U01	X
	Cover with viewing window	Ex	D612A190U01	X
②	O-ring	-	D101A029U01	X
③	Cover, rear, inst.	Standard / Ex	D612A192U01	X

... 3 Spare parts list

Lower connection box

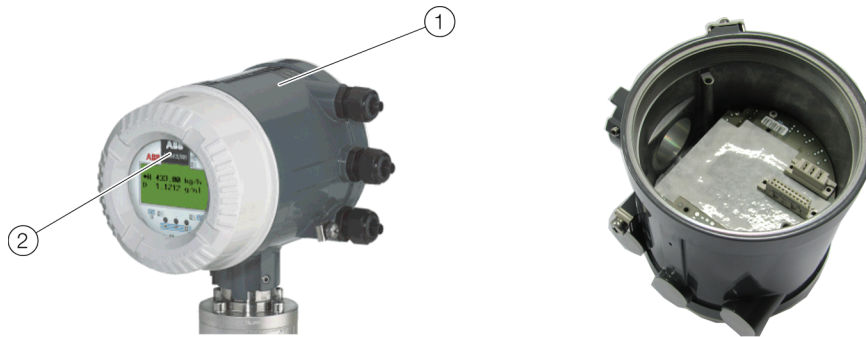


Figure 3: Lower housing

Number	Designation	Variant	Ordering number	Recommended spare part	Price (€)
①	ELCO housing M20 x 1.5 fully preassembled	Non Ex	D612A209U01		
	Compact housing M20 x 1.5 fully preassembled, incl.	ATEX / IECEx			
	Backplane, without plug-in module	Zone 2			
	Output variant A1, A2, H1, H2 FCB3xx, only non-hazardous zone or ATEX Zone 2 T _{amb} -40 to 60 °C				
①	Compact housing M20 x 1.5 fully preassembled, incl.	Non Ex	D612A209U11		
	Backplane, without plug-in module	ATEX / IECEx			
	Output variant A3, H3	Zone 2			
	FCB3xx, only non-hazardous zone or ATEX Zone 2 T _{amb} -40 to 60 °C				
①	Compact housing NPT ½ in. fully preassembled, incl.	Non Ex	D612A209U02		
	Backplane, without plug-in module	cFMus			
	Output variant A1, A2, H1, H2	Div 2			
	FCB3xx, only non-hazardous zone or ATEX Zone 2 T _{amb} -40 to 60 °C	Zone 2			
①	Compact housing NPT ½ in. fully preassembled, incl.	Non Ex	D612A209U12		
	Backplane, without plug-in module	cFMus			
	Output variant A3, H3	Div 2			
	FCB3xx, only non-hazardous zone or ATEX Zone 2 T _{amb} -40 to 60 °C	Zone 2			
②	FRAM	-	D674A664U02	X	
	FRAM device-specific programmed	-	D674A664U02A	X	

Slide-in converter

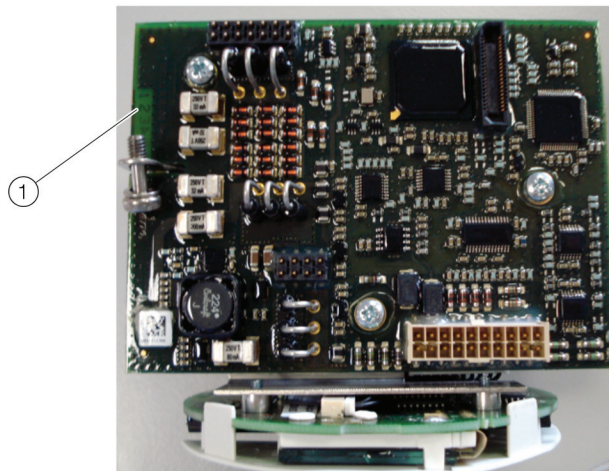


Figure 4: Plug-in module

Number	Designation	Variant	Ordering number	Recommended spare part	Price (€)
①	Electronic plug-in module 100 to 230 V AC Output variant A1, A2, H1, H2 With or without HART	Non-Ex ATEX Zone 2 Zone 1 cFMus Div.2, Zone 2 Div 1, Zone 1	3KXF002317U0300	X	
	Electronic plug-in module 100 to 230 V AC Output variants A3, H3 (passive, passive) With or without HART	Non-Ex ATEX Zone 2 Zone 1 cFMus Div.2, Zone 2 Div 1, Zone 1	3KXF002317U0400	X	
	Electronic plug-in module 24 V AC / DC Output variant A1, A2, H1, H2 With or without HART	Non-Ex ATEX Zone 2 Zone 1 cFMus Div.2, Zone 2 Div 1, Zone 1	3KXF002317U0100	X	
	Electronic plug-in module 24 V AC / DC Output variants A3, H3 (passive, passive) With or without HART	Non-Ex ATEX Zone 2 Zone 1 cFMus Div.2, Zone 2 Div 1, Zone 1	3KXF002317U0200	X	

... 3 Spare parts list

Printed circuit board

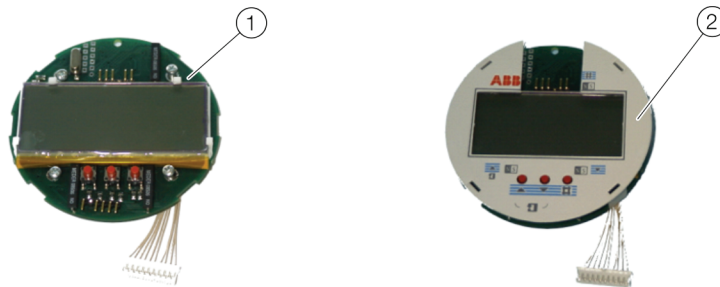


Figure 5: Printed circuit board

Number	Designation	Variant	Ordering number	Recommended sparePrice (€) part
①	Display board lights ELCO	current	D685A1015U01	X
②	Orifice for integral mount design	–	D355H294U02	
	Orifice for remote mount design (Transmitter in field mount housing)	–	D355H294U03	
	Display set "new" includes items 1 to 2	–	D614L996U02	X

External housing

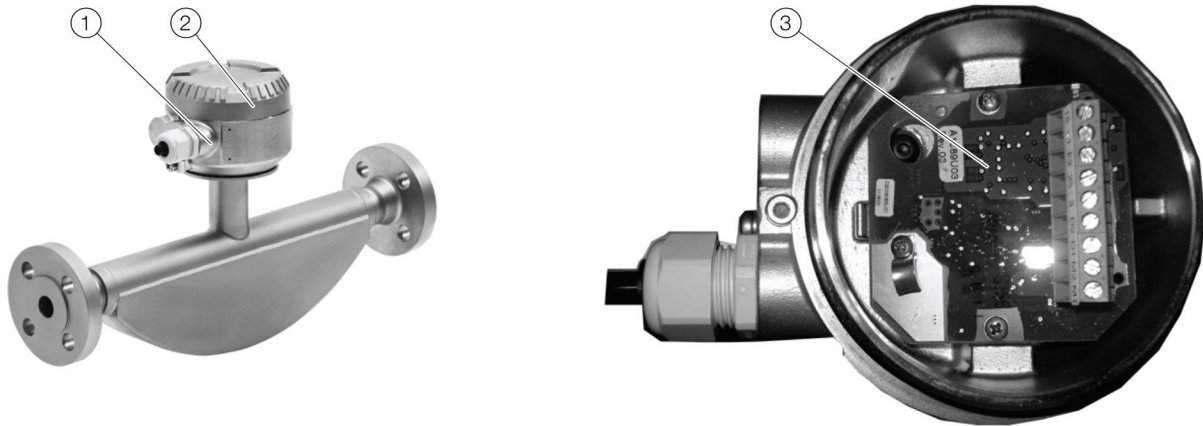


Figure 6: External housing

Number	Designation	Variant	Ordering number	Recommended spare part	Price (€)
①	Terminal box preassembled, stainless steel, M20 x 1.5 FEP / FCB incl. terminal board	Non Ex ATEX Zone 2 ATEX Zone 1 ATEX Zone 0	D612A202U07		
	O-ring down to sensor		D101A034U06		
	Terminal box preassembled, stainless steel, NPT ½ in. FEP / FCB incl. terminal board	Non Ex cFMus Div2, Zone 2 Div1, Zone 1 Zone 0	D612A202U08		
	O-ring down to sensor		D101A034U06		
②	Cover for terminal box and O-ring	-	D379D179U01 D101A040U01	X	
③	Connection board	-	3KXF002106U0100	X	

... 3 Spare parts list

Wall-mount housing



Figure 7: Wall-mount housing FCT3xx – Y0 und A2

Number	Designation	Variant	Ordering number	Recommended spare part	Price (€)
①	M20 x 1.5 (pre-assembled without backplane)	–	D641A033U01		
	NPT ½ in. (pre-assembled without backplane)		D641A033U07		
	Housing+backplane ME2_	–	D685A1113U11		
	Connection cable SK UNITRONIC Li2YCY PiMF 5 x 2 x 0.5 gray	–	D173D148U01		
	Connection cable SK UNITRONIC Li2YCY PiMF 5 x 2 x 0.5 blue	–	D173D148U02		
	Cable harness, signal, 12-pole, for FCT3xx	–	3KXF002321U0100		

Trademarks

HART is a registered trademark of FieldComm Group, Austin, Texas, USA

—
ABB Automation GmbH
- Service Instruments -

Schillerstraße 72

D-32425 Minden

Deutschland

Fax: +49 571 830-1744

Mail: parts-repair-minden@de.abb.com

abb.com/flow

To find your local ABB contact, visit:

abb.com/contacts



—
We reserve the right to make technical changes or modify the contents of this document without prior notice. With regard to purchase orders, the agreed particulars shall prevail. ABB does not accept any responsibility whatsoever for potential errors or possible lack of information in this document.

We reserve all rights in this document and in the subject matter and illustrations contained therein. Any reproduction, disclosure to third parties or utilization of its contents – in whole or in parts – is forbidden without prior written consent of ABB.

Copyright© 2018 ABB

All rights reserved

3KXF411008R4701