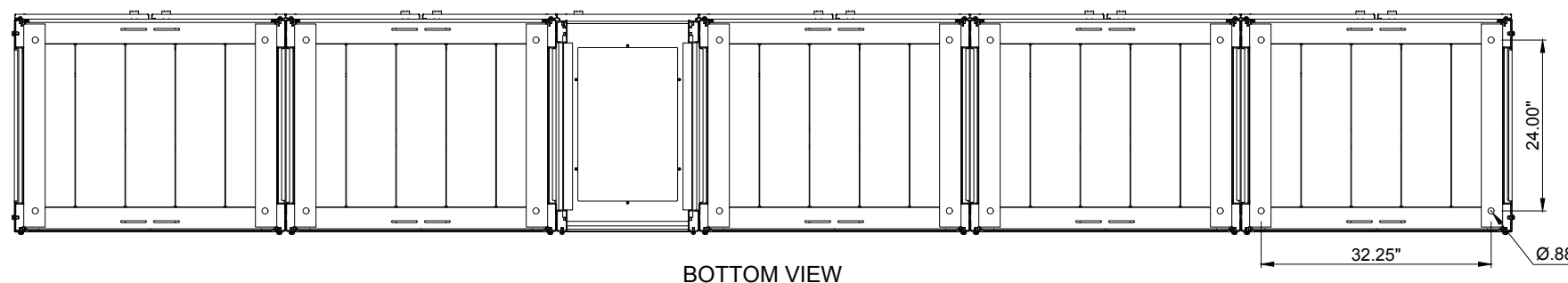
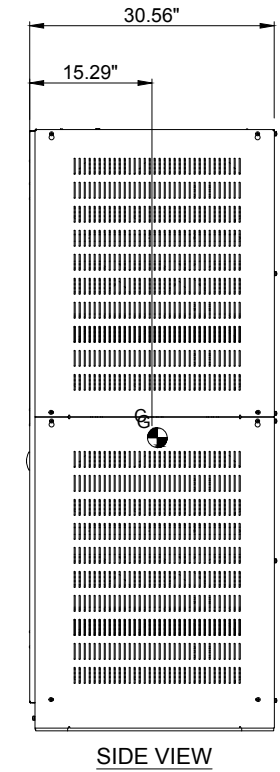
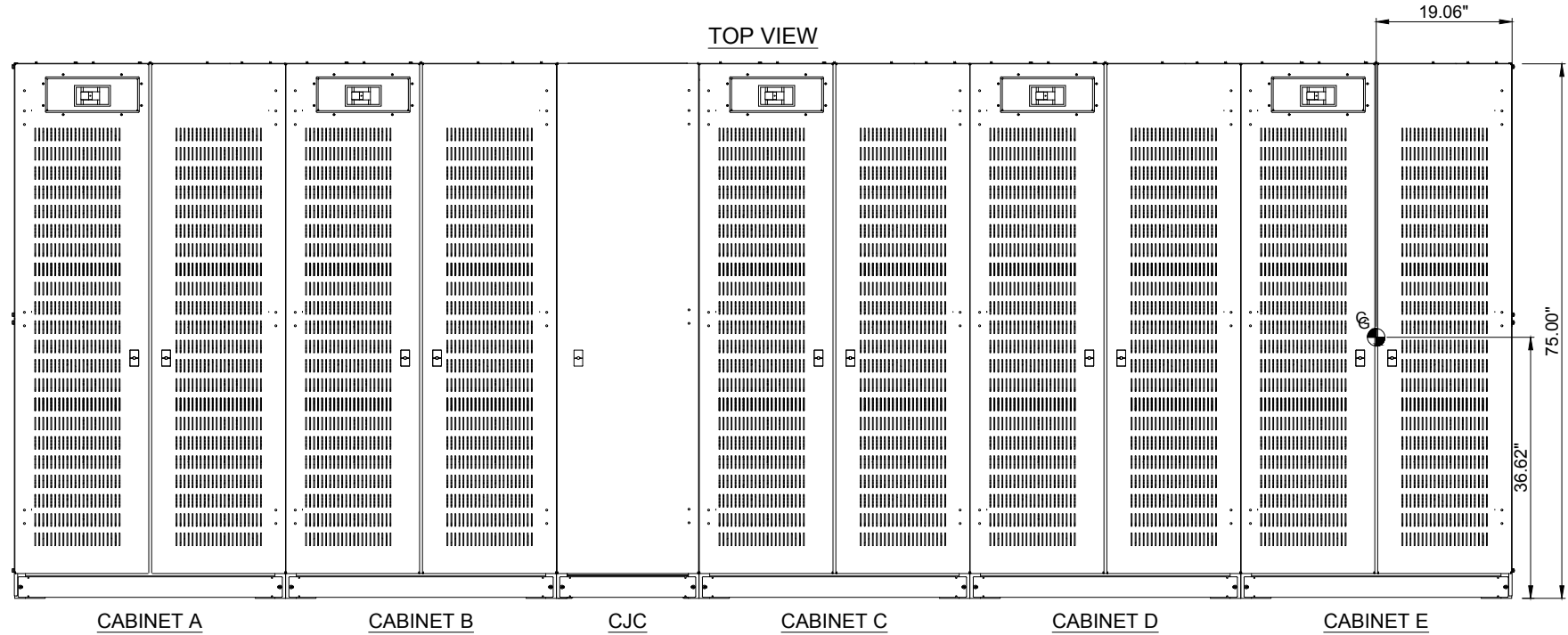


**CAUTION: HIGH VOLTAGE, RISK OF ELECTRICAL SHOCK**

- FOLLOW ALL SAFETY PRECAUTIONS WHEN WORKING ON THIS SYSTEM
- ALWAYS WEAR PROPER SAFETY EQUIPMENT INCLUDING EYE PROTECTION



DRAWING	UPS RATING	
CONFIGURATION	1000kVA	
CODE	BREAKER	WIRE
308	600A	2 x 2/0

THE INFORMATION CONTAINED IN THIS DRAWING IS THE SOLE PROPERTY OF INTRAPACK INDUSTRIES INC. ANY REPRODUCTION IN PART OR WHOLE WITHOUT THE WRITTEN PERMISSION OF INTRAPACK INDUSTRIES INC. IS PROHIBITED.

NO.	DATE	REVISION DESCRIPTION

  
 DESIGNED AND MANUFACTURED BY INTRAPACK FOR  
 ABB © INTRAPACK 2021

SYSTEM WEIGHT: 3,375 lbs NO BATTERIES			
JOB NO.	N/A	DATE:	03/03/2021
QUOTE NO.	N/A	DRAWN BY:	VZ
SCALE:	N.T.S.	APPR. BY:	

ADJACENT REMOTE TOP TERMINAL BATTERY  
 CABINET SYSTEM - CONFIG #308  
 DRAWING NO.  
 TLE5-20012V-480-5-5D600-AR-CJC-CONFIG#308

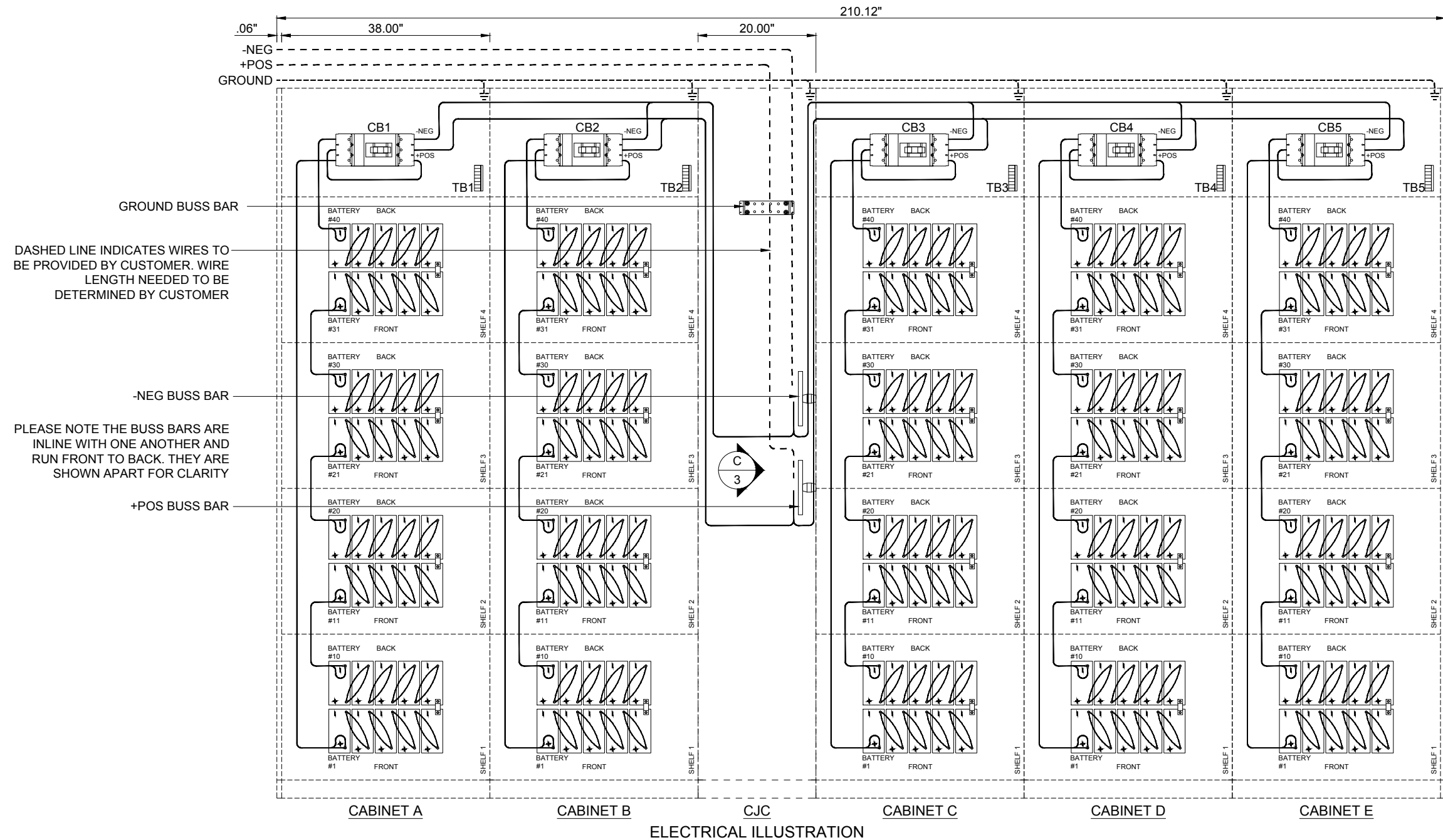
POSITIONING OF COMPONENTS ARE FOR ILLUSTRATION PURPOSES AND MAY NOT BE REPRESENTED IN THE EXACT LOCATION INDICATED.

**CAUTION: HIGH VOLTAGE, RISK OF ELECTRICAL SHOCK**

- FOLLOW ALL SAFETY PRECAUTIONS WHEN WORKING ON THIS SYSTEM
- ALWAYS WEAR PROPER SAFETY EQUIPMENT INCLUDING EYE PROTECTION

**GENERAL NOTES:**

- ONLY QUALIFIED TECHNICIANS SHOULD PERFORM INSTALLATION OR MAINTENANCE OF THIS BATTERY SYSTEM.
- ALL TOOLS SHOULD BE INSULATED TO PREVENT ELECTRICAL SHOCK.
- OPEN DISCONNECTS BEFORE INSTALLATION OR MAINTENANCE.
- CHECK DC VOLTAGE AT BATTERY OUTPUT AND UPS OUTPUT TO ENSURE PROPER POLARITY BEFORE MAKING FINAL CONNECTIONS.



THE INFORMATION CONTAINED IN THIS DRAWING IS THE SOLE PROPERTY OF INTRAPACK INDUSTRIES INC. ANY REPRODUCTION IN PART OR WHOLE WITHOUT THE WRITTEN PERMISSION OF INTRAPACK INDUSTRIES INC. IS PROHIBITED.

NO.	DATE	REVISION DESCRIPTION

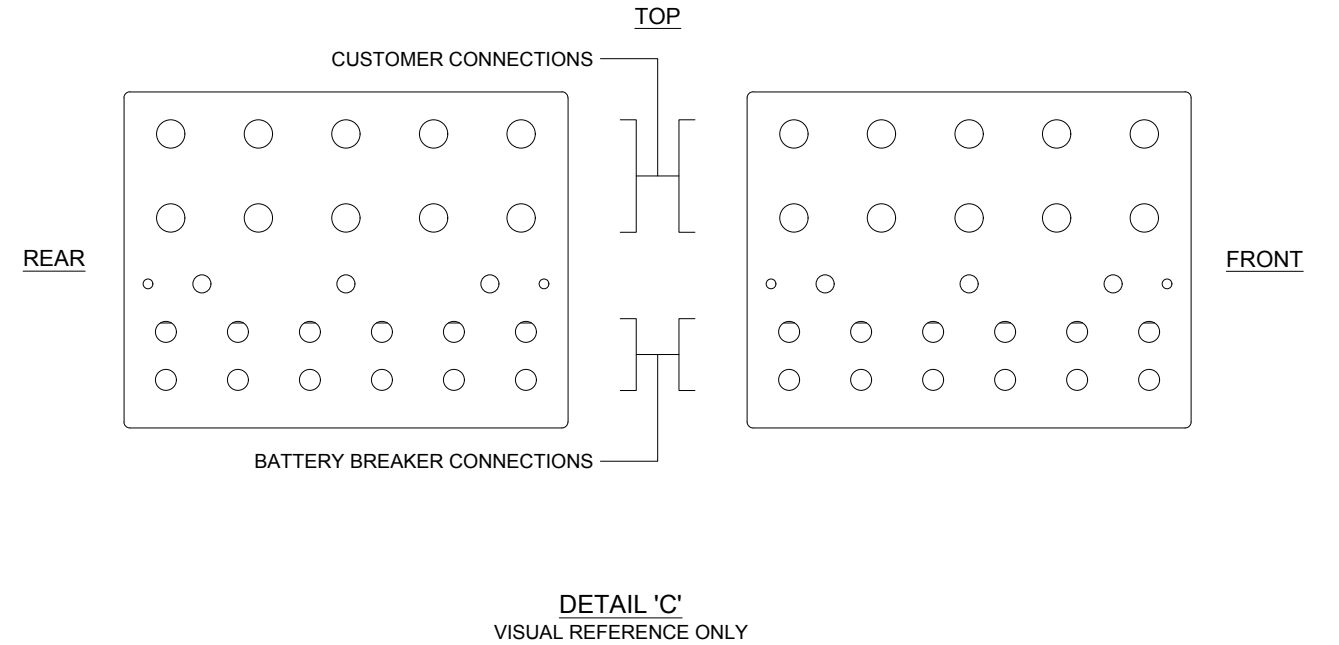
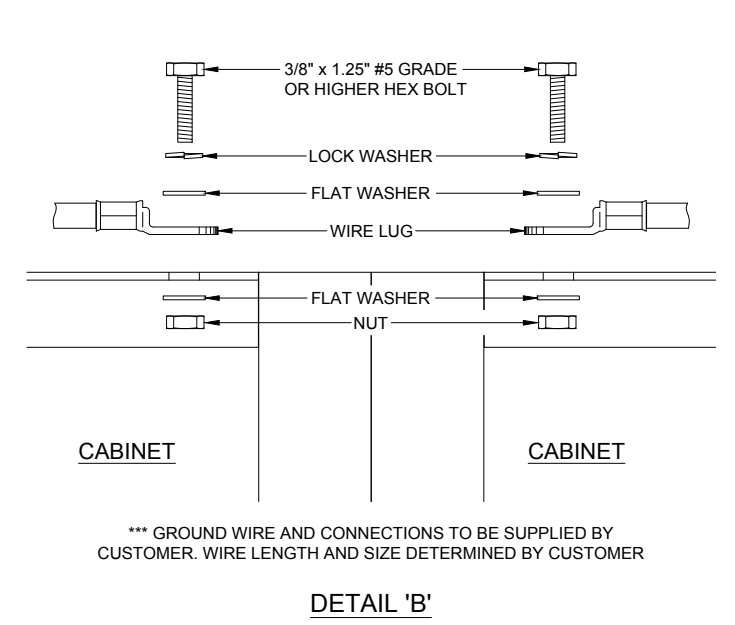
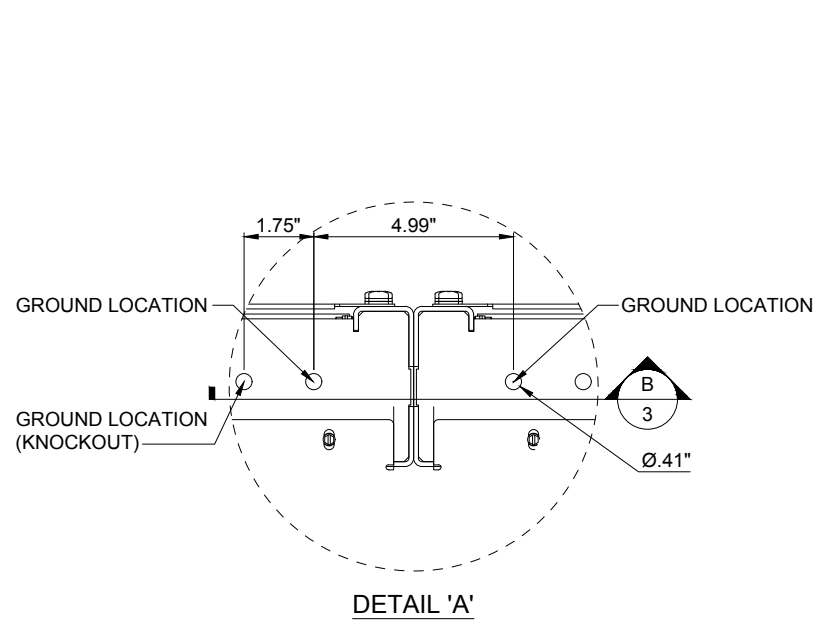
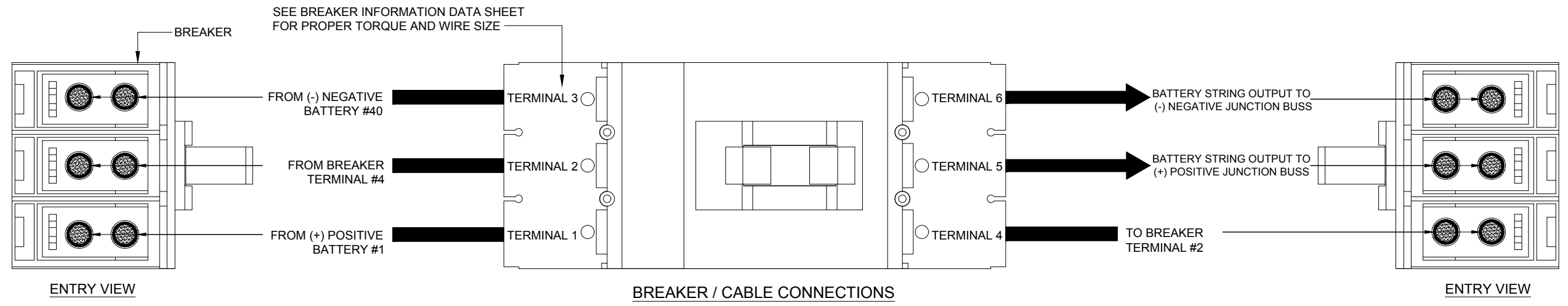
  
 DESIGNED AND MANUFACTURED BY INTRAPACK FOR  
 ABB © INTRAPACK 2021

SYSTEM WEIGHT: 3,375 lbs NO BATTERIES			
JOB NO.	N/A	DATE:	03/03/2021
QUOTE NO.	N/A	DRAWN BY:	VZ
SCALE:	N.T.S.	APPR. BY:	

ADJACENT REMOTE TOP TERMINAL BATTERY  
 CABINET SYSTEM - CONFIG #308  
 DRAWING NO.  
 TLE5-20012V-480-5-5D600-AR-CJC-CONFIG#308

**CAUTION: HIGH VOLTAGE, RISK OF ELECTRICAL SHOCK**

- FOLLOW ALL SAFETY PRECAUTIONS WHEN WORKING ON THIS SYSTEM
- ALWAYS WEAR PROPER SAFETY EQUIPMENT INCLUDING EYE PROTECTION



THE INFORMATION CONTAINED IN THIS DRAWING IS THE SOLE PROPERTY OF INTRAPACK INDUSTRIES INC. ANY REPRODUCTION IN PART OR WHOLE WITHOUT THE WRITTEN PERMISSION OF INTRAPACK INDUSTRIES INC. IS PROHIBITED.

NO.	DATE	REVISION DESCRIPTION

DESIGNED AND MANUFACTURED BY INTRAPACK FOR  
ABB © INTRAPACK 2021

SYSTEM WEIGHT: 3,375 lbs NO BATTERIES			
JOB NO.	N/A	DATE:	03/03/2021
QUOTE NO.	N/A	DRAWN BY:	VZ
SCALE:	N.T.S.	APPR. BY:	

ADJACENT REMOTE TOP TERMINAL BATTERY  
CABINET SYSTEM - CONFIG #308

DRAWING NO.  
TLE5-20012V-480-5-5D600-AR-CJC-CONFIG#308

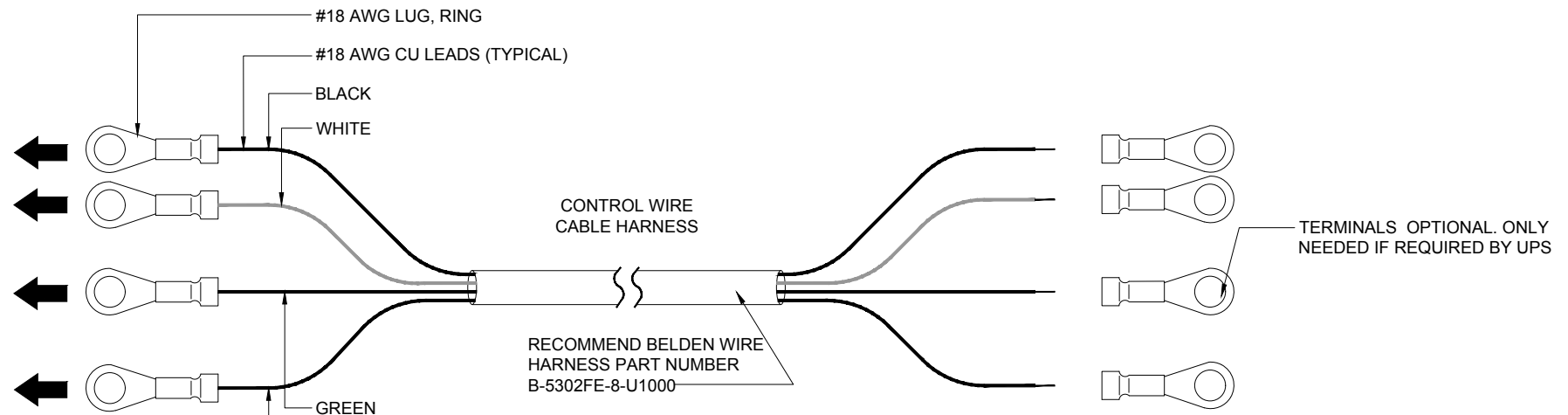
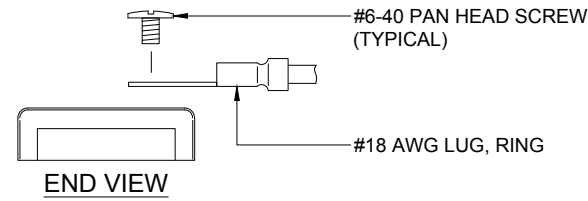
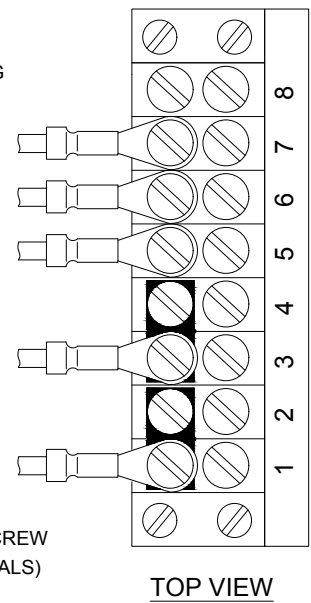
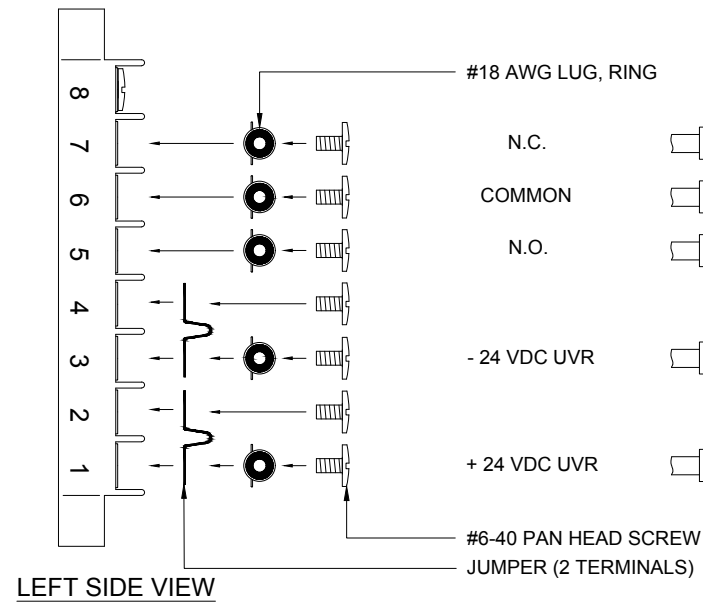
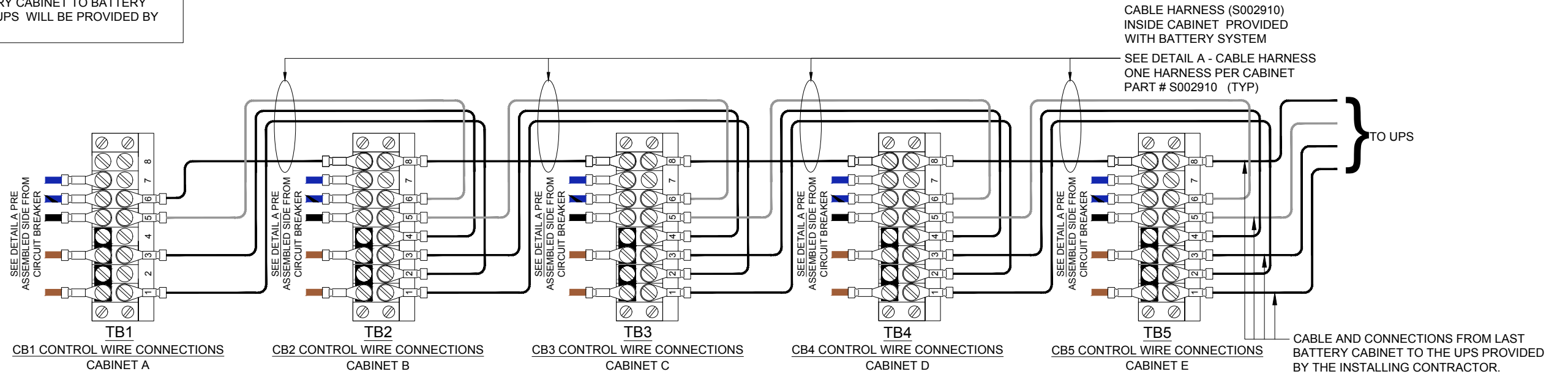
**3**  
OF  
**4**

**ADJACENT BATTERY CABINET SYSTEM:**  
 ALL CABLE HARNESSES ARE PROVIDED IN BOTH THE BATTERY CABINET TO BATTERY CABINET CONNECTION INCLUDING THE BATTERY CABINET CABLE HARNESS TO THE UPS.

**ADJACENT REMOTE BATTERY CABINET SYSTEM:**  
 ALL CABLE HARNESSES FROM BATTERY CABINET TO BATTERY CABINET WILL BE PROVIDED. THE BATTERY CABINET TO UPS CABLE HARNESS WILL BE PROVIDED BY THE INSTALLING CONTRACTOR.

**REMOTE BATTERY CABINET SYSTEM:**  
 ALL CABLE HARNESSES FROM BATTERY CABINET TO BATTERY CABINET AND BATTERY CABINET TO UPS WILL BE PROVIDED BY THE INSTALLING CONTRACTOR.

**CONTROL WIRING ROUTING**



**NOTE**  
 ALL CONTROL CONNECTIONS ARE MADE BY ONSITE INSTALLATION CONTRACTOR (TYPICAL)

THE INFORMATION CONTAINED IN THIS DRAWING IS THE SOLE PROPERTY OF INTRAPACK INDUSTRIES INC. ANY REPRODUCTION IN PART OR WHOLE WITHOUT THE WRITTEN PERMISSION OF INTRAPACK INDUSTRIES INC. IS PROHIBITED.

NO.	DATE	REVISION DESCRIPTION

**ABB**  
 DESIGNED AND MANUFACTURED BY INTRAPACK FOR  
 ABB © INTRAPACK 2021

SYSTEM WEIGHT: 3,375 lbs NO BATTERIES			
JOB NO.	N/A	DATE:	03/03/2021
QUOTE NO.	N/A	DRAWN BY:	VZ
SCALE:	N.T.S.	APPR. BY:	

ADJACENT REMOTE TOP TERMINAL BATTERY CABINET SYSTEM - CONFIG #308
DRAWING NO. TLE5-20012V-480-5-5D600-AR-C-JC-CONFIG#308