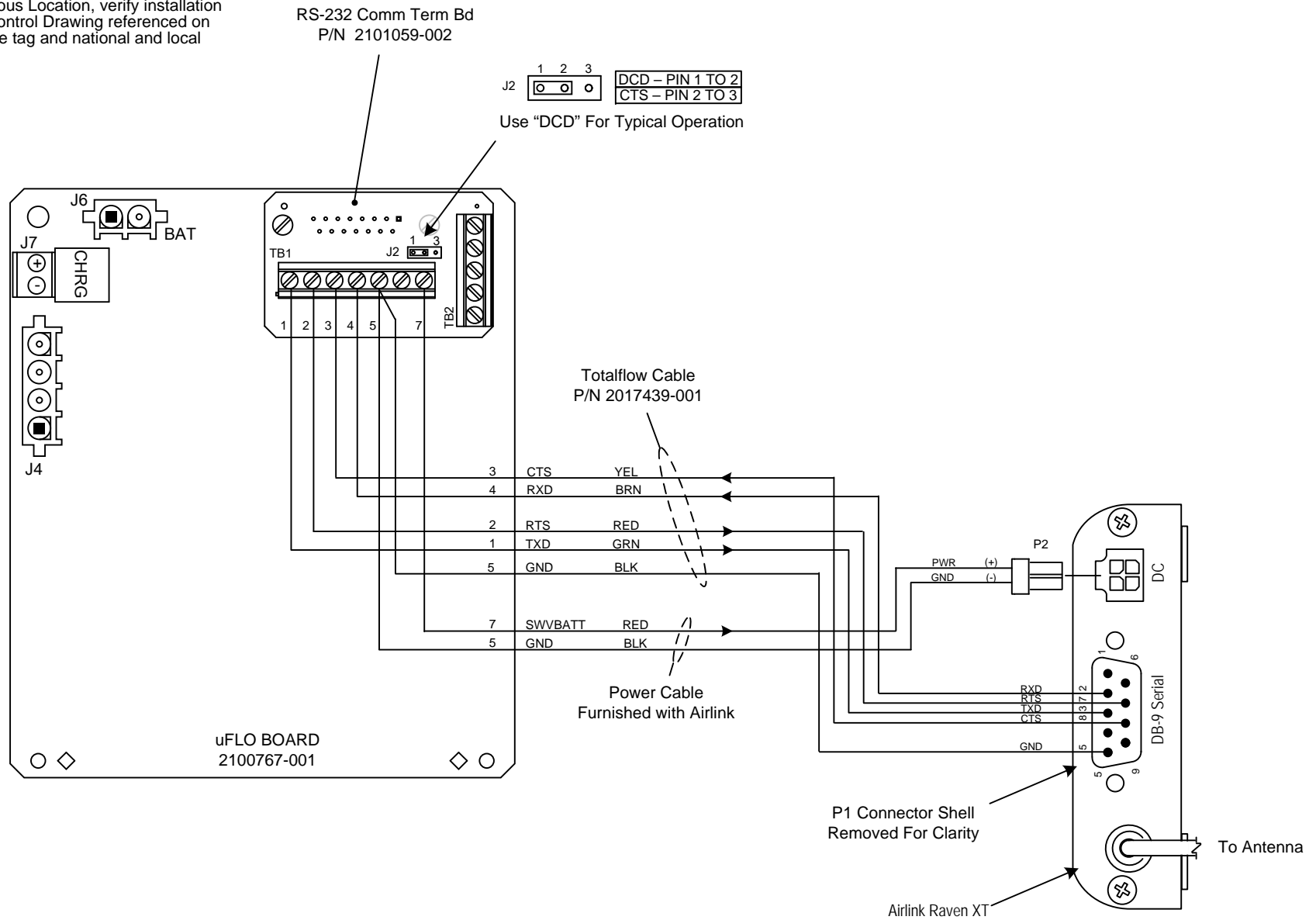


NOTES:

1. WARNING: This drawing does not completely illustrate the installation methods required for hazardous locations. Prior to any installation in a Classified Hazardous Location, verify installation methods by the Control Drawing referenced on the product's name tag and national and local codes.



Ref: N/A

<b>ABB</b>	TOTALFLOW	ACTION	DOC TYPE	TITLE	DWG NO.	REV	SHEET
	Products	L22052	UD	UFLO (2100767 BD) W/COMM TERM BD (2101059-002) TO AIRLINK RAVEN XT (RS-232)	2104143	AA	1 OF 1