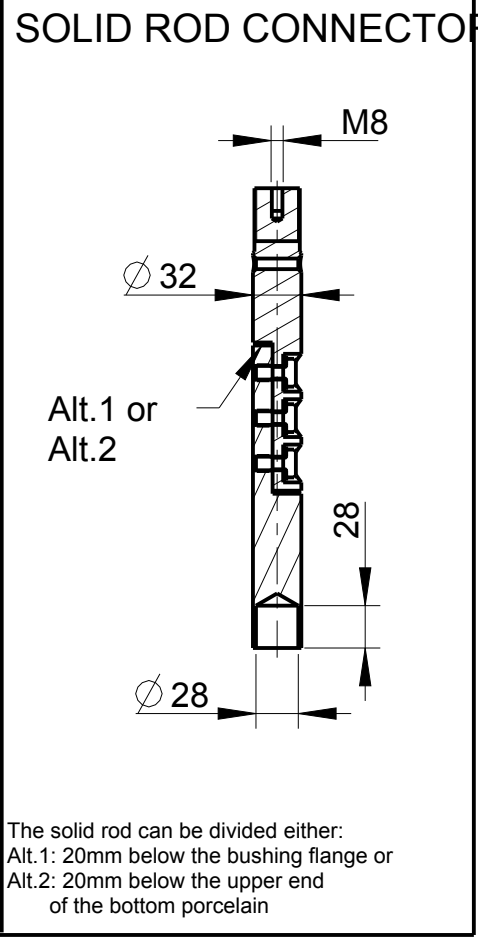
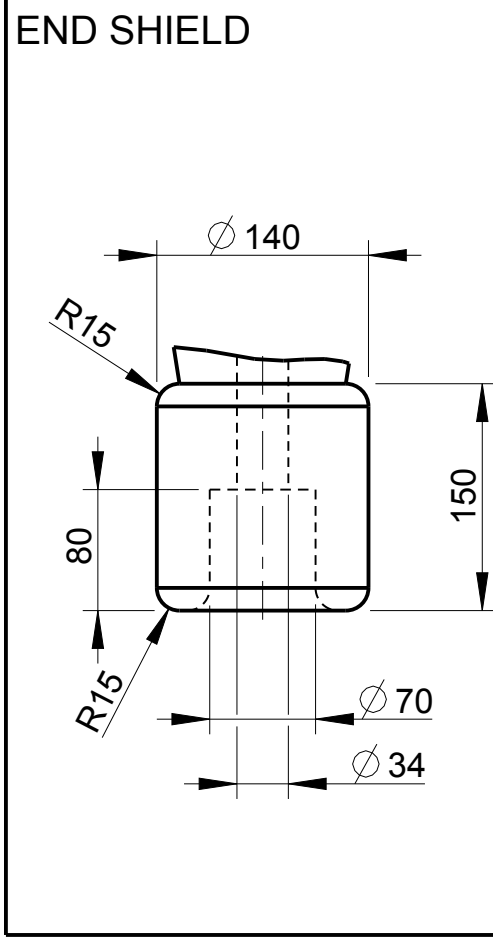
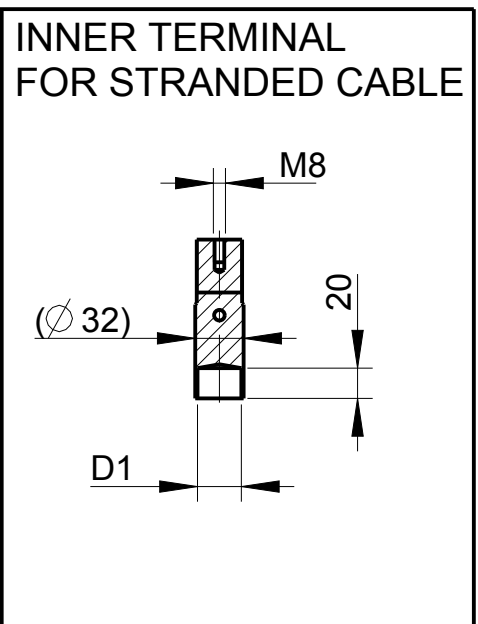
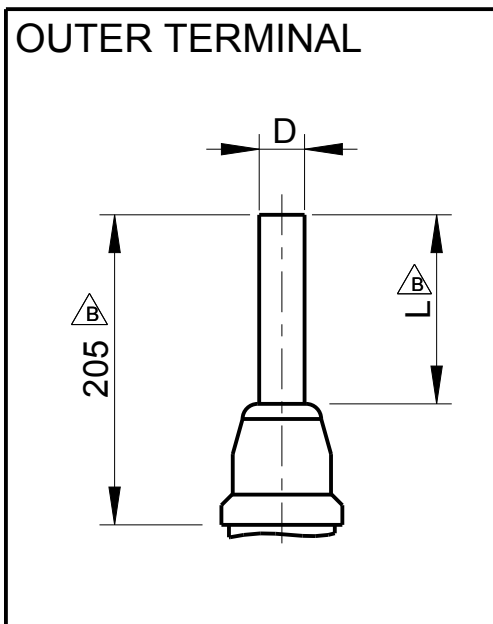
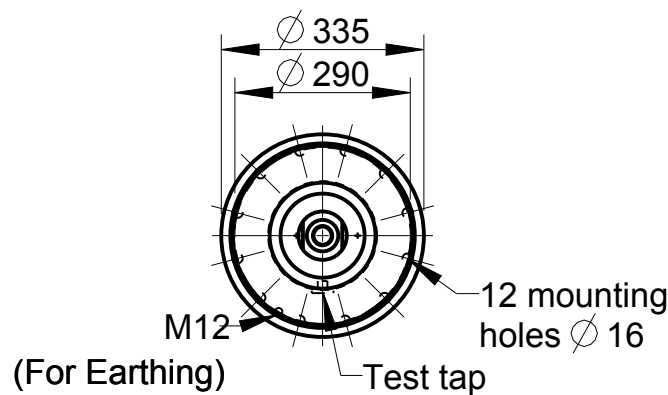
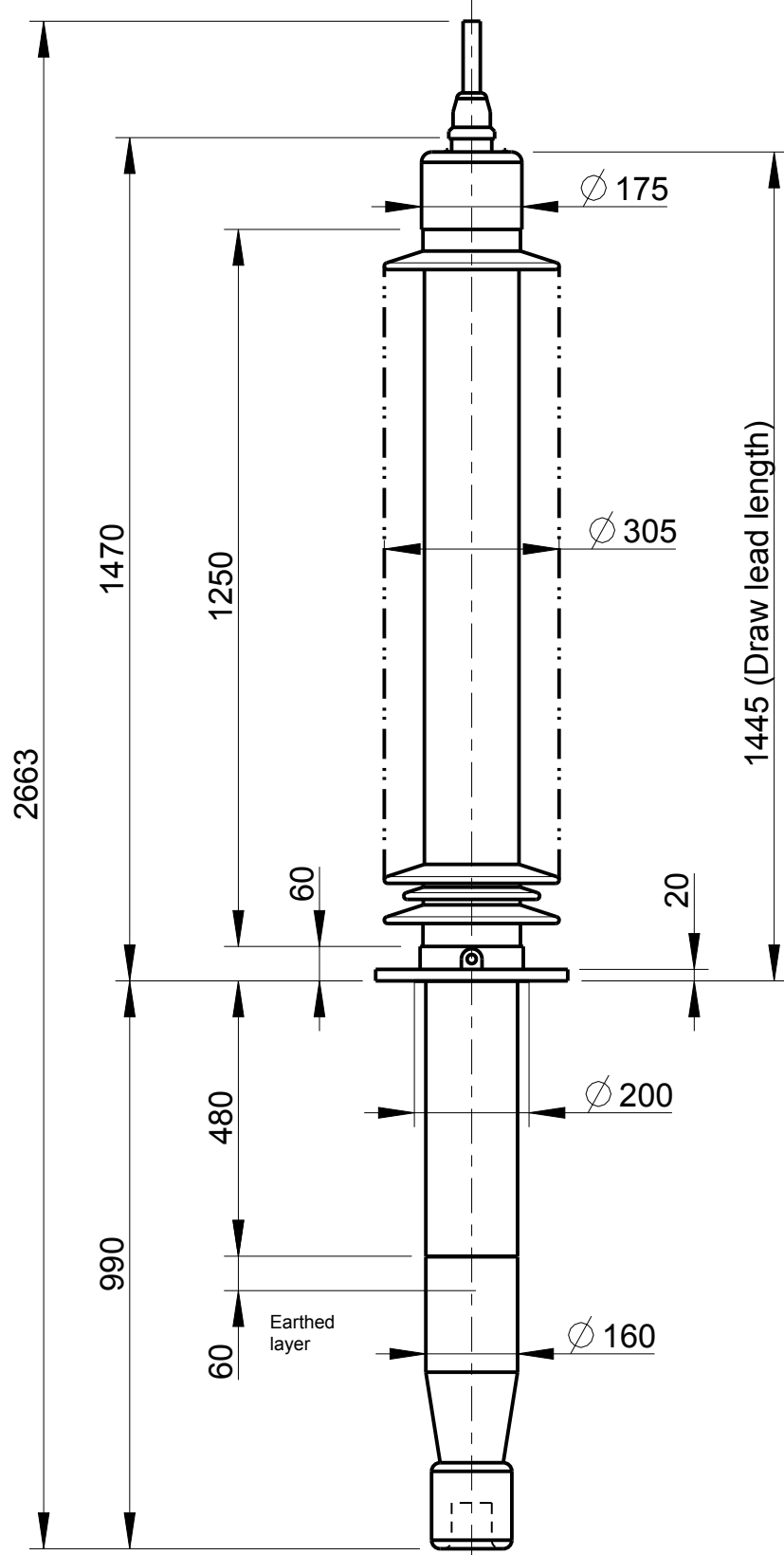


This document is issued by means of a computerized system. The digitally stored original is electronically approved. The approved document has a date entered in the 'Approved'-field. A manual signature is not required.

The information contained in this document has to be kept strictly confidential. Any unauthorized use, reproduction, distribution or disclosure to third parties are strictly forbidden. ABB reserves all rights regarding Intellectual Property Rights. © Copyright 2013 ABB. All rights reserved.



Bushing Data:

Rated Voltage	170	kV
Phase to Ground Voltage	145	kV
Dry Lightning Impulse 1,2/50µs	650	kV
Wet power frequency AC	275	kV
Routine test 1min dry 50Hz	300	kV
Rated Current	1250	A
Creepage Distance	\triangle_B 4600±110	mm
Creepage Distance Protected	1620	mm
Mass	126	kg

Ordering Data:

BUSHING	COLOUR AIR INSULATOR
LF123113-M	BROWN
-N	LIGHT GREY \triangle_B
OUTER TERMINAL	Material D L
LF 170 002-B	Cu alloy, ϕ 30, 125
LF 170 001-B	Al, ϕ 30, 125
OTHER TYPES ON REQUEST	
INNER TERMINAL FOR STRANDED CABLE	
For brazing	Conductor area D1
LF 170 011-T	up to 285mm ² ϕ 29
LF 170 011-V	Undrilled with pilot hole ϕ 5
SOLID ROD CONNECTOR	Material
LF 170 052 -L for Alt.1	Cu
LF 170 052 -H for Alt.2	Cu
TERMINAL PLATE	Material
LF170021-A	Nickel-plated copper
LF170014-A	Al

Note:
 Mounting inclination 0-45°.
 \triangle_B For inclined and horizontal mounting, see Installation and Maintenance Guide.

ABB Ludhika, Sweden

No.	Um/Uy	kV tr	A 50-60 Hz
U	SL	AC	kV.
M	L	mm V	
C1	PF	Tan δ	x
C2	PF	Tan δ	x

Prepared	iladmin	2008-04-30	Responsible department	PPCO/BK	Title	GOB 650-1250-0.5			
Modified by	Palpandi K	2013-04-26	Take over department		WITHOUT OIL LEVEL GAUGE LONG END SHIELD				
Approved by	Niklas Olsson	2013-05-08	Used in product						
Revision	B	Note added, dim change for out terminal & creep dist was 4080		Order		Sheet no.	1		
ABB						Document no.	2751369-162	No. Shits.	(1)