

Emergency stop button with indication Smile Tina

Approvals:



Application:

- To stop a machine or a process

Features:

- Compact and robust
- Fast M12 connection
- LED indication on push-button
- Information output
- Status information with serial connection



Smile Tina is a compact emergency stop button to be used with Vital control module or Pluto Safety PLC.

Faster installation with less risk of error

Thanks to its small size and its centered mounting holes, Smile is easy to position and install. The M12 connectors speed up the connection and reduce the risk of connection error.

Reduced downtime

All Smile Tina offer extensive information about their status.

- A bright LED placed in the center of the push-button tells whether the push-button is pressed or not, and also whether the connection is interrupted before the device.
- All models are equipped with an information output that can be connected to, e.g., a PLC or a HMI, in order to know exactly which button has been pushed. Some models offer the StatusBus functionality thus offering all the advantages of serial connection while still getting status information from each device.

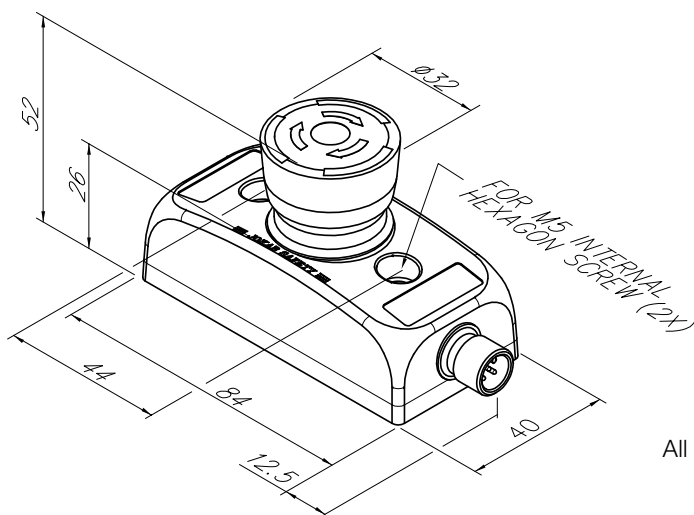
Cost effective solution

- Available with M12 connectors, Smile is very easy to connect in series, which saves cable length and installation time.
- Up to 10 Smile Tina can be connected to ONE input of a Pluto safety PLC. With a conventional 2 contact emergency stop button, two inputs would be necessary.
- The StatusBus functionality demands no extra communication module or extra cable.

Technical data

Functional safety data	
EN ISO 13849-1	Up to PL e/Cat. 4 depending upon system architecture
EN 62061	SIL 3 depending upon system architecture
IEC/EN 61508-1...7	SIL 3, PFHd: $4,66 \cdot 10^{-9}$
Power supply	
Operating voltage	24 VDC + 15 %, -25 %
Total current consumption	47 mA (57 mA with max information output)
Information output	Max 10 mA
Time delay t (in/out)	t < 70 μ s, EC/SC < 30 μ s
Voltage when normal operation (protection OK) and 24 VDC supply voltage	Dynamic input: between 9 and 13 volt (RMS) Dynamic output: between 9 and 13 volt (RMS) Information output: ~23 VDC
Protection class	IP65
Ambient temperature	Storage: -30...+70°C Operation: -10...+55°C
Humidity range	35 to 85 % (with no icing or condensation)
Housing material	Polyamide PA66, Macromelt, Polybutylenterephthalate PBT, Polypropene PP, UL 94 V0
Contact material	Silver alloy, gold plated
Connectors	Smile 10EA Tina: 5 pole cable, 1 m Smile 11x Tina: M12-5 pole male Smile 12x Tina: M12-5 pole male, M12-5 pole female
Size	84 x 40 x 52 (L x W x H) - see Dimensions
Weight	~65 g
Colour	Yellow base, red or black button
Actuator force (E-stop button)	22 \pm 4N
Actuator travel	~4 mm to latch
Mechanical life	> 50.000 operations
Mounting	Two M5 hexagon socket screws, L \geq 25 mm Hole centres: 44 mm
LED on Smile Tina	Green: Safety device OK, safety circuit OK Flashing red-green: Safety device OK, safety circuit previously interrupted Red: Button pushed, safety circuit interrupted
StatusBus LED indication	Double flash, red or green: Sensor waiting for an address. Red: Button pushed. Green: Button released Bursts of high freq. flash: Sensor identification Slow flash, 1 per 2 sec: During addressing High frequency flash: Short circuit between pin 5 and dynamic signal (pin 2 or 3)

Dimensions



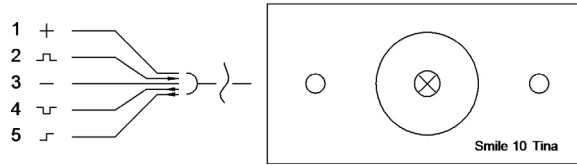
All dimensions in millimeters

Connection

Smile 10 Tina

5-pole wired

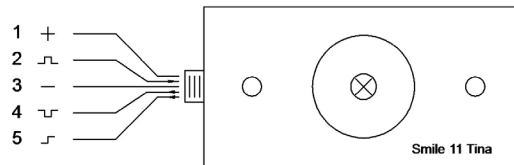
- 1) +24 VDC
- 2) Dynamic signal input
- 3) 0 V
- 4) Dynamic signal output
- 5) Information output¹



Smile 11 Tina

M12-5 pole male

- 1) +24 VDC
- 2) Dynamic signal input
- 3) 0 V
- 4) Dynamic signal output
- 5) Information output^{1 and 2}



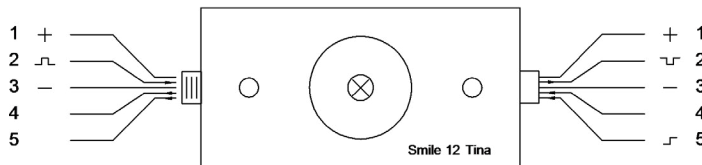
Colors according to
ABB standard cable:

- 1) Brown
- 2) White
- 3) Blue
- 4) Black
- 5) Grey

Smile 12 Tina

Input
M12-5 pole male

- 1) +24 VDC
- 2) Dynamic signal input
- 3) 0 V
- 4) Not used
- 5) Not used



Output
M12-5 pole female

- 1) +24 VDC
- 2) Dynamic signal output
- 3) 0 V
- 4) Not used
- 5) Information output¹

Note: Shielded cable is recommended between this unit and the rest of the safety circuit.

The information channel output shall **never** be used for the safety purpose(s).

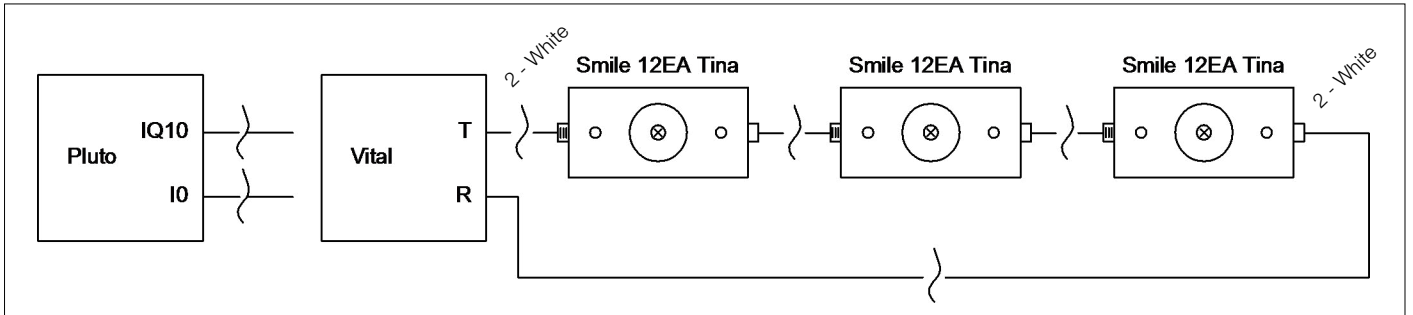
1) Information output: 0 V when button pressed.

When the button is not pressed, the level depends on the input signal on pin 2. See manual.

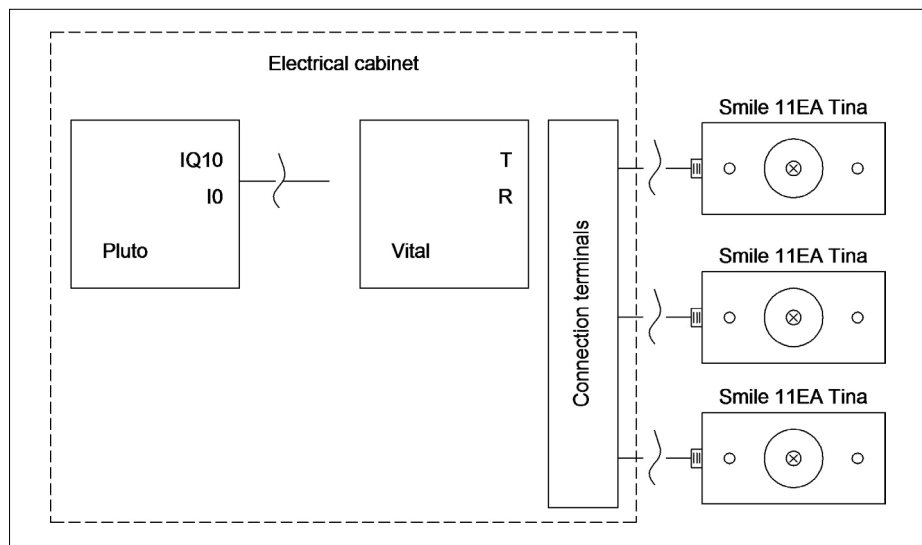
2) If the device has address 0, pin 5 is an information output. If the address is 1 to 30, pin 5 is a StatusBus I/O. The address is 0 at delivery. Use Pluto safety PLC or Fixa addressing unit for the addressing. See manuals.

Connection examples

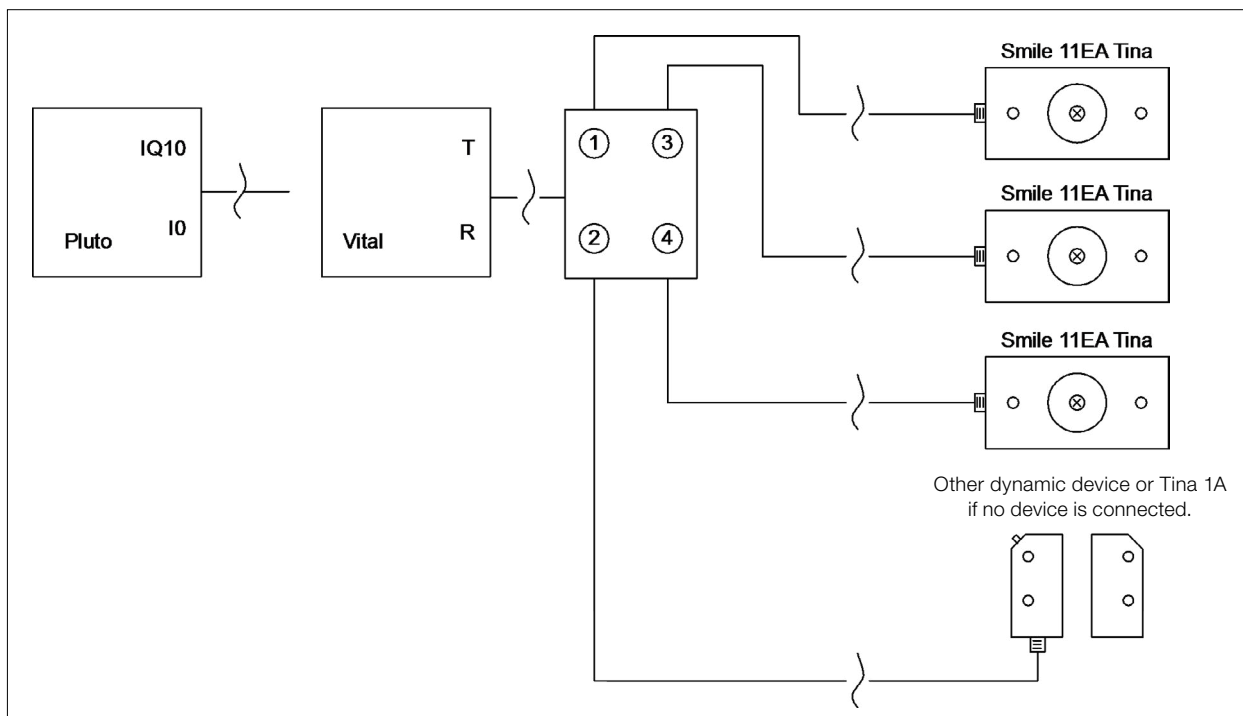
Smile 12 EA Tina



Smile 11 EA Tina



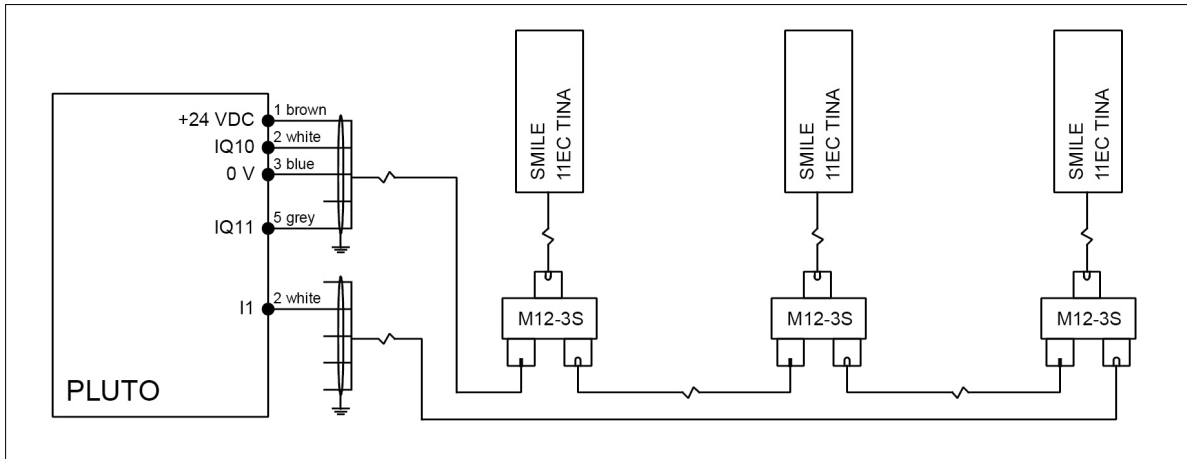
Smile 11 EA Tina and Tina 4A



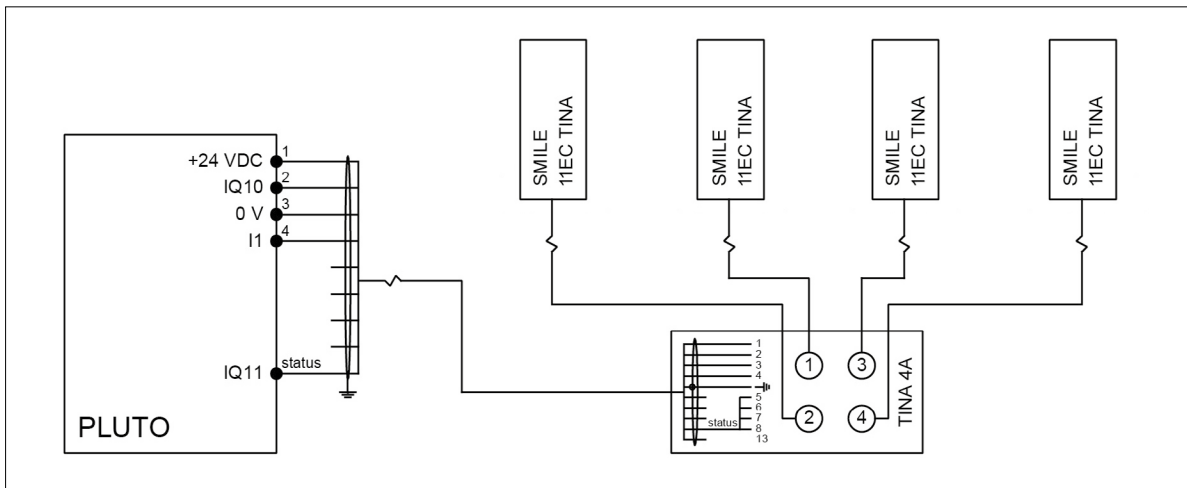
Connection examples

With the StatusBus functionality. Each device should have a unique address between 1 and 30.

Smile 11 EC Tina and M12-3S with StatusBus.



Smile 11 EC Tina and Tina 4A with StatusBus.



Note: Terminals 5, 6, 7 and 8 in Tina 4A must be connected to each other when the StatusBus functionality is used.

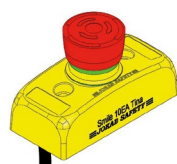
Models and ordering information

Type	Article number	Red button	Black button ¹	Reverse model	1 m cable	1 x M12-5 connector	2 x M12-5 connectors	Information output	StatusBus functionality ²
Smile 10 EA Tina	2TLA030050R0400	X			X			X	
Smile 11 EA Tina	2TLA030050R0000	X				X		X	
Smile 12 EA Tina	2TLA030050R0200	X					X	X	
Smile 11 EAR Tina	2TLA030050R0100	X		X		X		X	
Smile 11 SA Tina	2TLA030050R0500		X			X		X	
Smile 11 EC Tina	2TLA030050R0900	X				X		X	X
Smile 11 SC Tina	2TLA030050R1000		X			X		X	X

1) A Smile with black button shall not be used as emergency stop button. It is usually used as a stop button.

2) The StatusBus functionality can be used with Pluto safety PLC only, not with Vital 1.

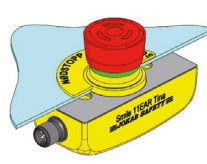
If the device has address 0, pin 5 is an information output. If the address is 1 to 30, pin 5 is a StatusBus I/O. The address is 0 at delivery. Use Pluto safety PLC or Fixa addressing unit for the addressing. See manuals.



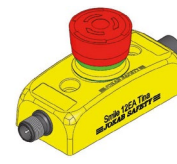
Smile 10 Tina



Smile 11 Tina

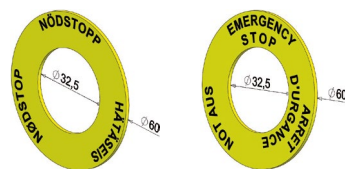


Smile 11 Tina
Reversed



Smile 12 Tina

Type	Article number	Description
M12-3S	2TLA020055R0600	M12 Y-connector for serial connection of device with StatusBus functionality.
M12-3A	2TLA020055R0000	M12 Y-connector for serial connection of devices without StatusBus functionality.
Tina 4	2TLA020054R0300	Connection block for up to 4 dynamic devices.
Tina 8	2TLA020054R0500	Connection block for up to 8 dynamic devices.
M12-C61	2TLA020056R0000	Straight M12-5 female connector with 6 m shielded cable.
M12-C101	2TLA020056R1000	Straight M12-5 female connector with 10 m shielded cable.
M12-C201	2TLA020056R1400	Straight M12-5 female connector with 20 m shielded cable.
M12-C112	2TLA020056R2000	Straight M12-5 female + male connectors with 1 m shielded cable.
M12-C312	2TLA020056R2100	Straight M12-5 female + male connectors with 3 m shielded cable.
M12-C612	2TLA020056R2200	Straight M12-5 female + male connectors with 6 m shielded cable.
M12-C1012	2TLA020056R2300	Straight M12-5 female + male connectors with 10 m shielded cable.
M12-C2012	2TLA020056R2400	Straight M12-5 female + male connectors with 20 m shielded cable.
Emergency stop sign	2TLA030054R0700	Ø32.5 mm, Swedish, Danish, Finnish. For reversed Smile.
Emergency stop sign	2TLA030054R0800	Ø32.5 mm, English, French, German. For reversed Smile.
Smile side shield	2TLA030054R1100	Protection against involuntary activation of the emergency stop button.



Sign for emergency stop



Smile side shield

ABB AB

Jokab Safety

Varlabergsvägen 11

SE-434 39 Kungsbacka

Tel. +46 (0) 21-32 50 00

www.abb.com/jokabsafety

Power and productivity
for a better world™

