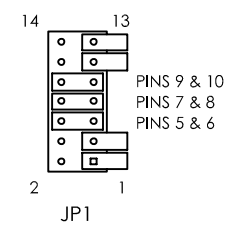


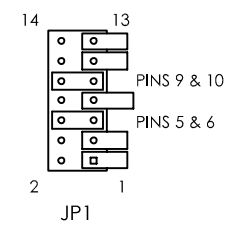
NOTES:
 1 DO NOT CONNECT (-V) TO ANY OTHER GROUND TERMINAL. (-V) IS DESIGNATED AS DC RETURN SIGNAL.

2 ONLY ONE HOST CAN BE HOOKED TO LEVELMASTERS.
 3. REMOVED
 4. REMOVED
 5. REMOVED

6. JP1 JUMPER CONFIGURATION FOR ALL VERSIONS OF LEVELMASTER BOARD 2018546 WHEN THE BOARD IS THE ONLY BOARD OR LAST BOARD ON THE RS485 BUS.



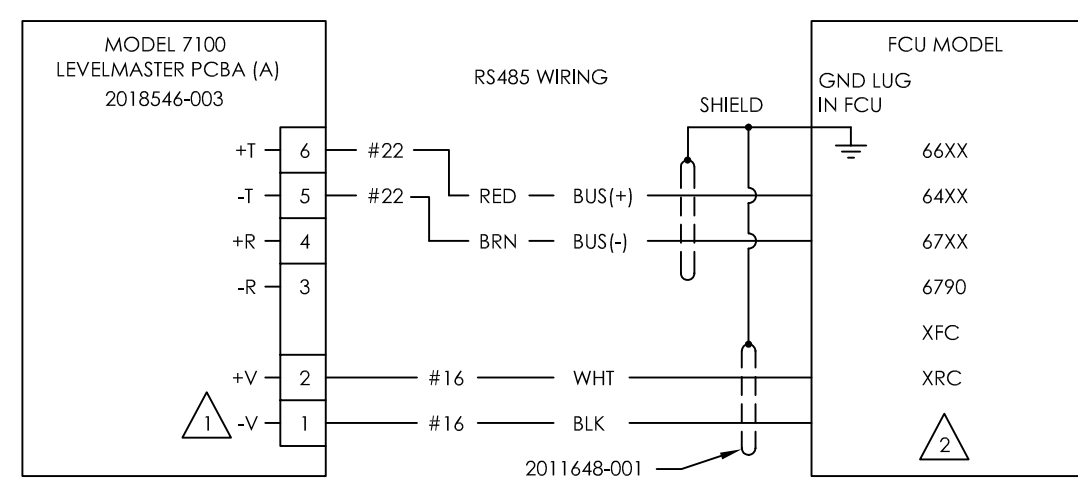
7. JP1 JUMPER CONFIGURATION FOR VERSIONS OF LEVELMASTER BOARD 2018546-003 VERSION (AY) OR GREATER WHEN THE BOARD IS THE FIRST OR INTERMEDIATE BOARD ON THE RS485 BUS.



8. NO JUMPERS ARE REQUIRED FOR JP1 WHEN USING LEVELMASTER BOARD 2018546-003 PRIOR TO VERSION (AY) AS THE FIRST OR INTERMEDIATE BOARD.

9. WHEN USING CABLE #2100241-002 W/B&B 485/232 CONVERTER TO TEST OR SETUP BOARDS, REMOVE ANY JUMPER FROM PINS 7 & 8 ON BOARDS 2018546-003 (AY) OR GREATER, THEN REPLACE AFTERWARDS.

REVISIONS					
REV	ACTION	DRAWN	CHECKED	APPROVED	DATE
AK	D15069	KASTNER	KASTNER	BUSHNELL	03/10/22
AL	D15366	KASTNER	KASTNER	BUSHNELL	03/12/03
AM	D20711	KASTNER	KASTNER	BUSHNELL	07/08/24



ASSEMBLY/QUANTITY	ITEM NO.	PART NUMBER	DESCRIPTION	REF/ZONE	DESIG MATERIAL	UNIT MEAS
DO NOT SCALE DRAWING	UNLESS OTHERWISE SPECIFIED DIMENSIONS ARE IN INCHES	PRODUCT LINE TOTALFLOW®	LEVEL 3	ABB TOTALFLOW Products		
THIRD ANGLE PROJECTION	TOLERANCES ARE: DECIMAL .XX ± -- ANGULAR ± --	DESIGN G. HOLLAND	DATE 99/3/22	TITLE WIRING INTERCONNECT		
	BREAK ALL SHARP CORNERS AND EDGES DIMENSIONS APPLY BEFORE FINISH	DRAWN A. KASTNER	99/3/22	MODEL 7100 LEVELMASTER TO FCU / RTU (RS485)		
		CHECKED A. KASTNER	99/3/22	SCALE NONE	SIZE B	DWG TYPE WI
		APPROVED G. HOLLAND	99/3/22	DRAWING NO. 2018394	REV AM	SHEET 1 OF 2

GENERAL PURPOSE WIRING INTERCONNECT

