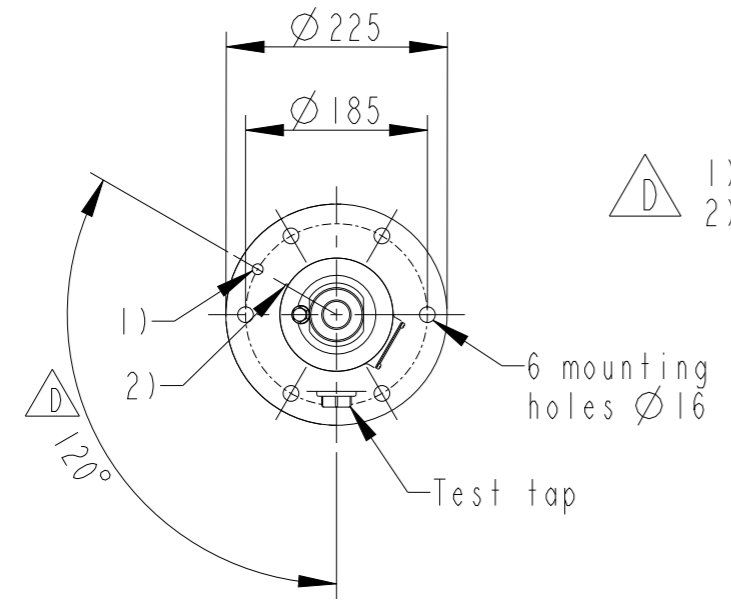
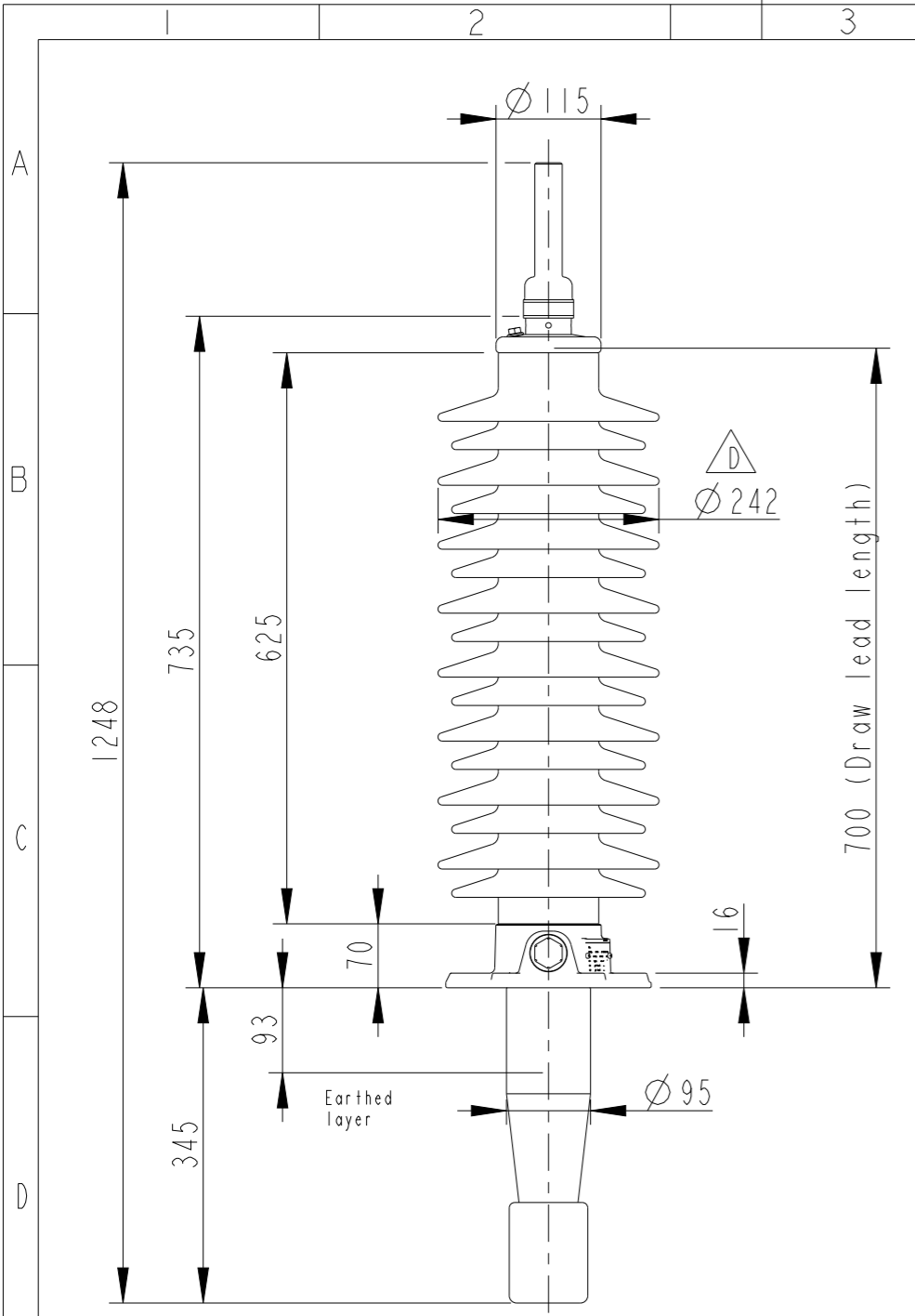
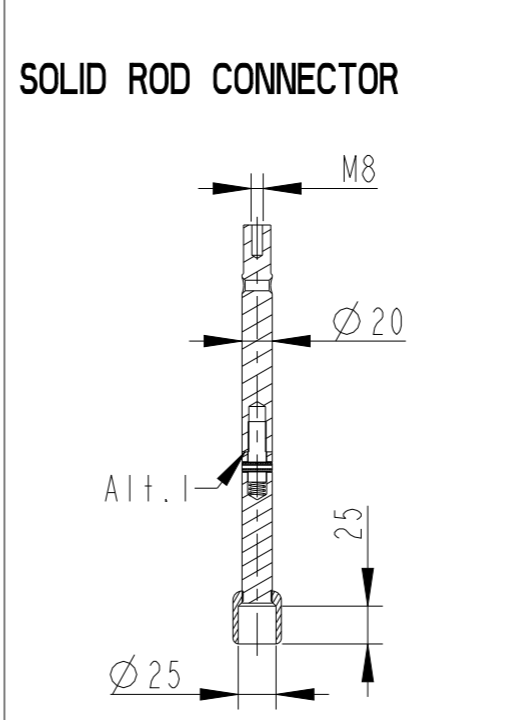
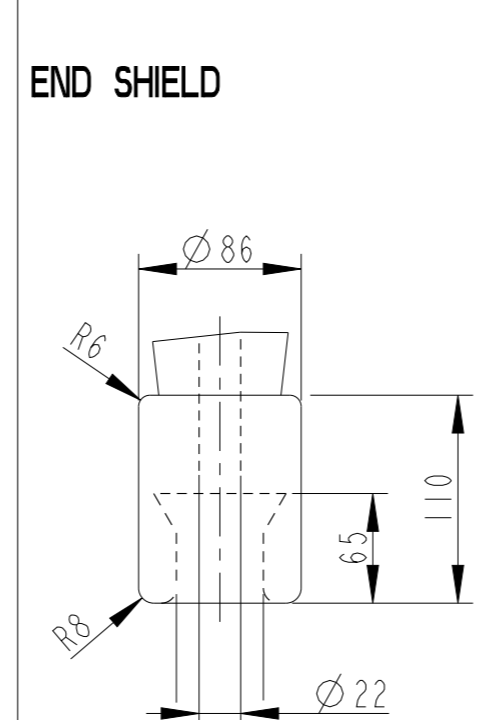
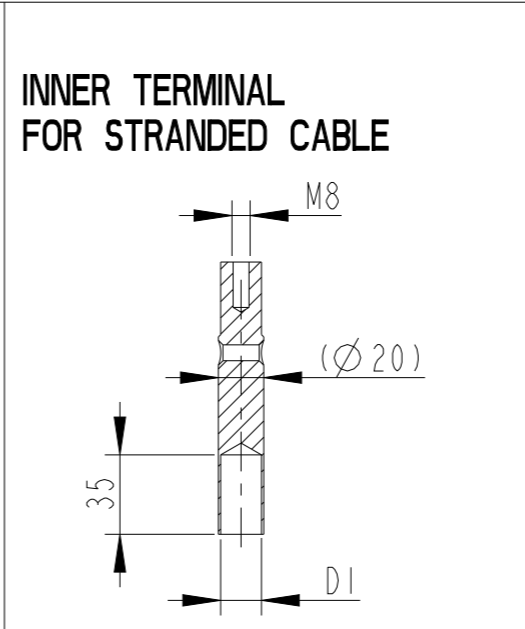
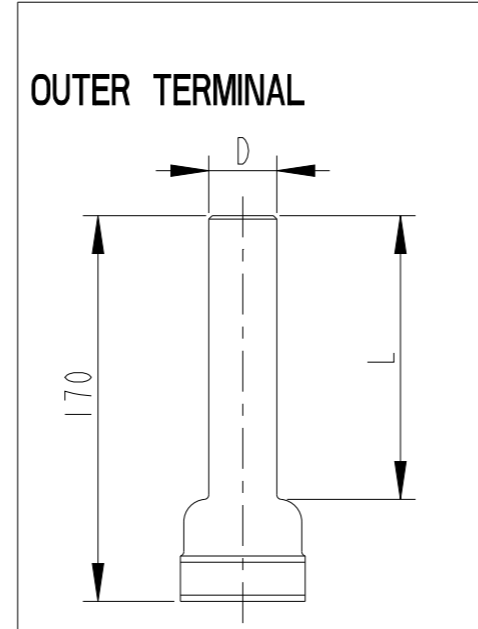


This document is issued by means of a computerized system. The digitally stored original is electronically approved. The approved document has a date entered in the "Approved"-field. A manual signature is not required.

We reserve all rights in this document and in the information contained therein. Reproduction, use or disclosure to third parties without express authority is strictly forbidden.



- $\triangle D$ 1) M12 (For Earthing)
 2) $\varnothing 4$ Oil connection hole (only valid for horizontal mounting)



Revision	Revision text
D	Bushing data, Ordering data & Dims updated.

Bushing Data:	
Rated Voltage	72.5 kV
Phase-to-Earth Voltage $\triangle D$	42 kV
Dry Lightning Impulse 1,2/50 μ s	350 kV
Wet power frequency AC	140 kV
Routine test 1min dry 50Hz	160 kV
Rated Current	800 A
Creepage Distance	2240 \pm 50 mm
Creepage Distance Protected	875 mm
Mass	$\triangle D$ 35 kg

Ordering Data:	
BUSHING	COLOUR AIR INSULATOR
LF123025-M	BROWN
LF123025-N	LIGHT GREY
LF123025-HM $\triangle D$	BROWN Horizontal 45°-90°
LF123025-HN $\triangle D$	LIGHT GREY Horizontal 45°-90°
OUTER TERMINAL	Material D L
LF 170 002-A	Cu alloy, $\varnothing 30, 125$
LF 170 001-A	Al, $\varnothing 30, 125$
OTHER TYPES ON REQUEST	
INNER TERMINAL FOR STRANDED CABLE	
For brazing	Conductor area D1
LF 170 011-S	up to 150mm ² $\varnothing 18$
LF 170 011-U	Undrilled with pilot hole $\varnothing 5$
For crimping or brazing	Conductor area D1
LF 170 010-M	50mm ² $\varnothing 11$
LF 170 010-N	70mm ² $\varnothing 13$
LF 170 010-L	95mm ² $\varnothing 15$
SOLID ROD CONNECTOR	Material
LF 170 019 -F for Alt.1	Cu

Ludvika, Sweden	
No.	
Um	kV Ir A 50/60 Hz
BIL	kV SIL kV AC kV
M	kg L mm \checkmark °
C1	pF Tan δ x
C2	pF Tan δ x

Created by Sri Ambicai	Reviewed by Joakim Persson	Approved by Natalia Gutman
Approved 2022-01-10	Document Kind Assembly Drawing	Based on doc.id -
Company Hitachi Energy Sweden AB	Title, Supplementary title GOB 325-800 Without oil level gauge. Long end shield.	
Responsible Department SEABB-9AAE300824	Document id 2751369-122	Status Approved
ABB	Revision D	Iteration 10
	Sheet 1/1	