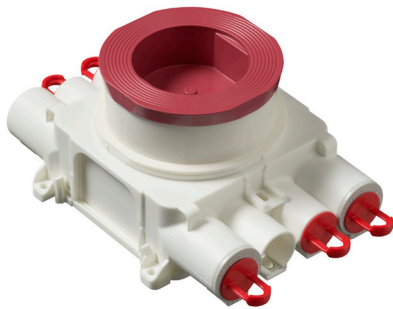


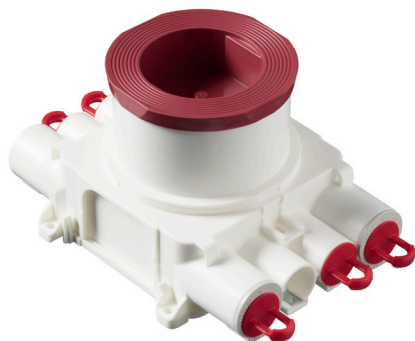
06/2024

ABB System BeTon junction boxes

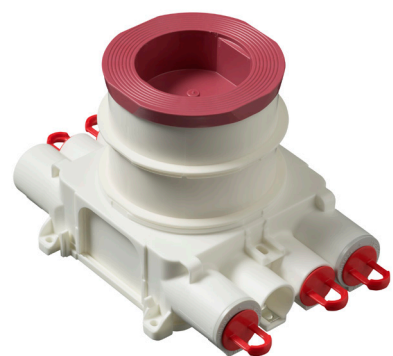
AUB67, AUB67M and AUB67H for casting applications



AUB67 Junction box



AUB67M Junction box



AUB67H Junction box

New ABB System BeTon junction boxes are especially designed to meet the needs of current and future concrete casting applications and electrical installations. There are three versions available AUB67, AUB67M and AUB67H with box heights 80 mm, 96 mm and 112 mm, respectively.

The new easy-to-use boxes improve efficiency in all process steps. The boxes have several ways to fix them into casting molds and optimal way can be found to all designs. The boxes are compatible with 20 and 25 mm piping, include adjustable installation ring and have large inside space for easy electrical installations.

Key features

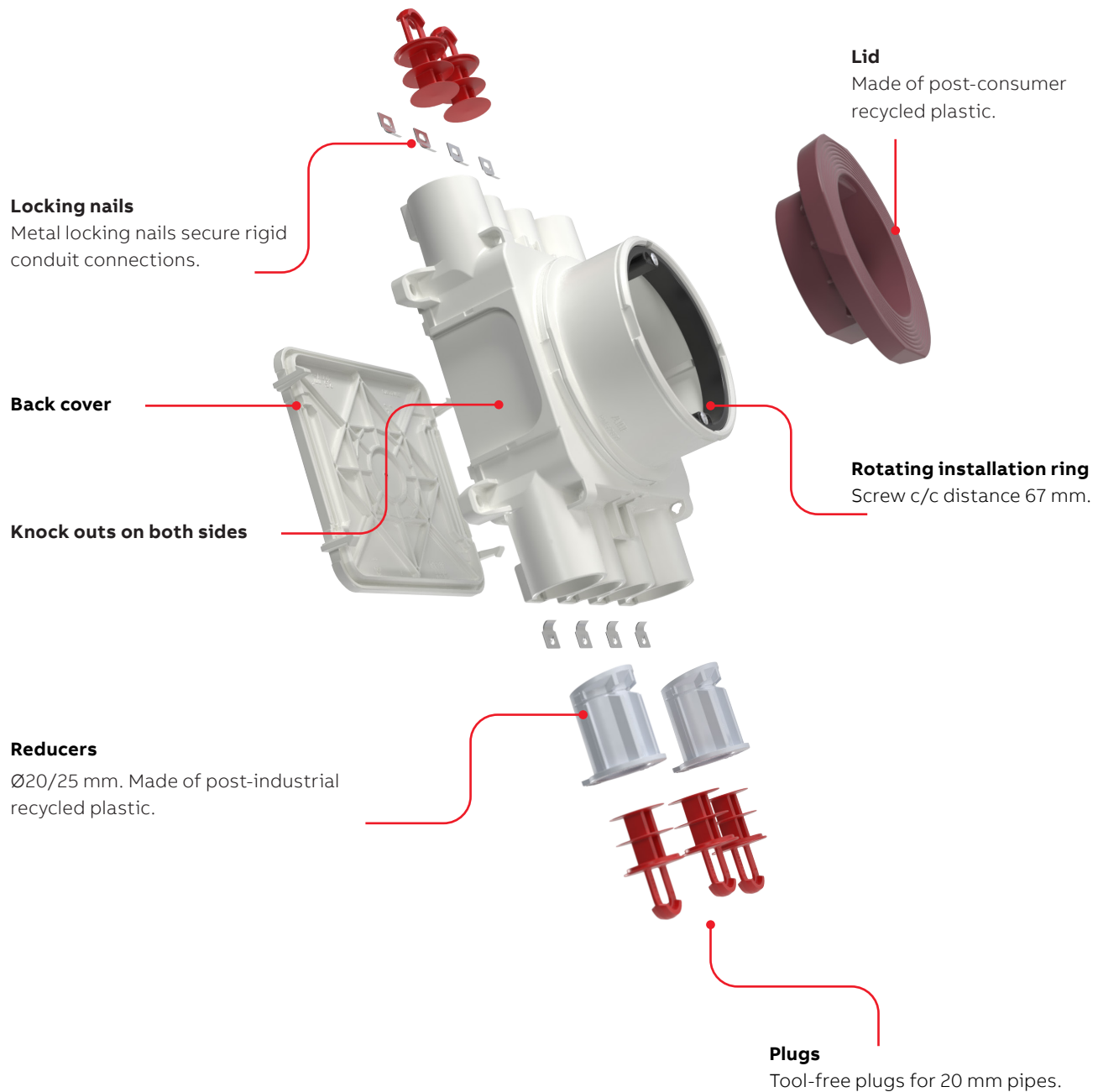
- Screw c/c distance 67 mm
- Compatible with 20 mm and 25 mm piping. Boxes have several fixed inlets with locking nails.
- Rotating installation ring
- Large inside space for easy electrical installation
- Various ways of connecting the box to casting mold. Optimal attaching method to mold available for all situations.
- Made of halogen free material (IEC/61249-2-21)
- Fulfills the requirements of the glow wire test according to the standard IEC/EN60670: 2005 (650 °C).
- Compatible accessories:
 - ANN25.20 inlet set
 - AS25 installation plug
 - AS101 box support
 - ASN71 interconnector
 - ASN85 interconnector

Order information

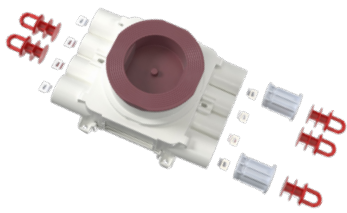
| Type | Product ID | EAN | Description | Package |
|--------|--------------|---------------|---------------------------------------|---------|
| AUB67 | 2TKA00004671 | 6438199008868 | Junction box c/c 67 mm, height 80 mm | 36 |
| AUB67M | 2TKA00005323 | 6438199013916 | Junction box c/c 67mm, height 96 mm | 27 |
| AUB67H | 2TKA00004648 | 6438199008837 | Junction box c/c 67 mm, height 112 mm | 24 |

ABB Oy
 Porvoon Sisäkehä 2, PO Box 16
 FI-06101 Porvoo, Finland
 Phone: +358 10 22 11

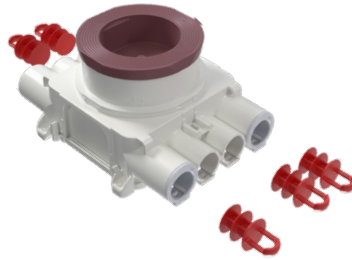
Junction box parts



Features



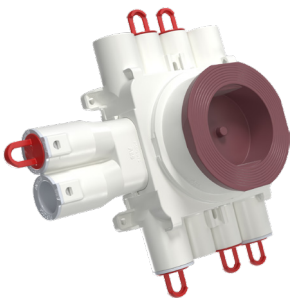
Four pieces of 20 mm and four pieces of 25 mm (two has 20 mm reducer) in-built fixed inlets with locking nails for rigid conduit connections. Compatible with both 20 mm and 25 mm conduit systems without the need of any accessories.



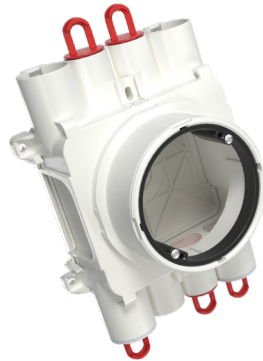
Possibility to have four 20 mm conduits to same direction without any accessories. Tool-free plugs and reducers can be removed and re-installed without damaging the locking nails. Plugs can be used also to seal 20 mm pipes before casting.



Very large inside space for easy electrical installation.

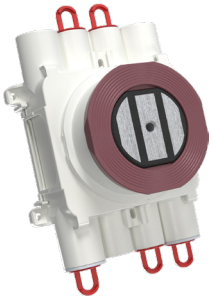


Additional inlets can be attached to both sides.



Rotating installation ring enables fast and easy fine tuning of the attachment screw positioning after casting.

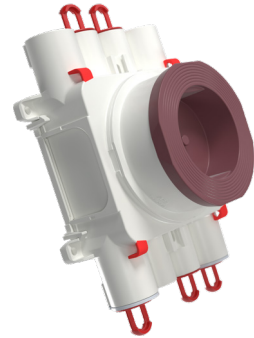
Several ways to attach the junction box to casting mold



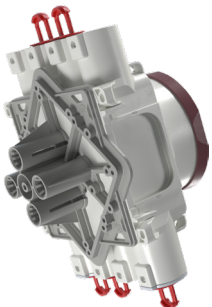
Lid has large compartment for magnet that can be used to attach the box to metal casting mold.



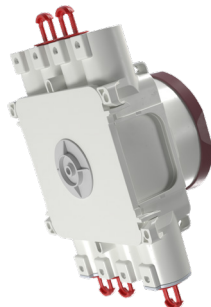
Lid has wide grooved surface to where glue can be applied and strong connection between box and casting mold can be created with glue.



Box has integrated horizontal channels, which can be used to connect the box to rebar.



Boxes are compatible with AS101 box support.

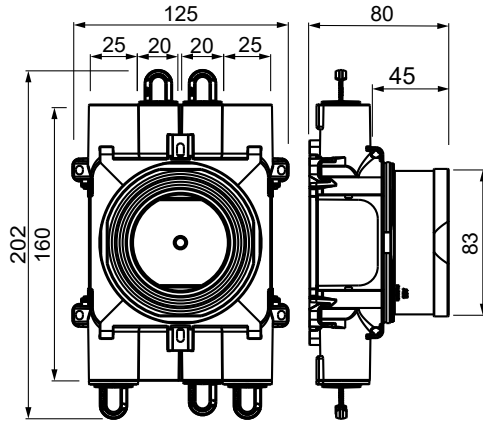


Boxes are compatible with AS25 installation plug.

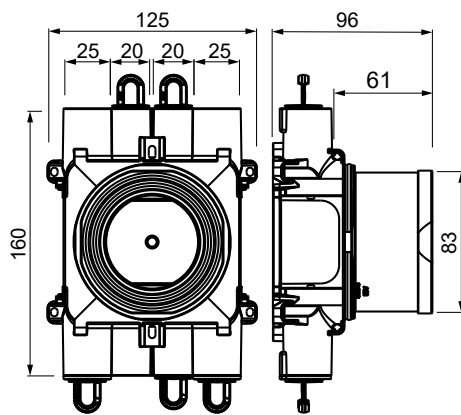


Nailing from the backside.

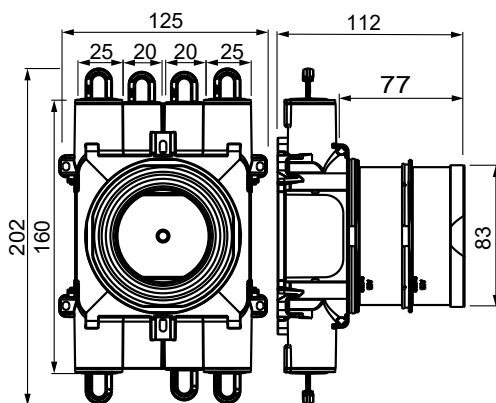
Dimensional drawings



AUB67 Junction box

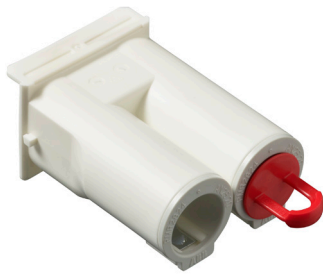


AUB67M Junction box



AUB67H Junction box

Accessories for the junction boxes



ANN25.20 Inlet set 2 x 25/20 mm



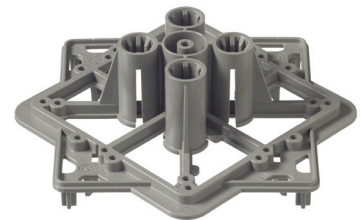
AS25 Installation plug for mounting/junction boxes



ASN71 Interconnector.
Two ASN85 and one ASN71 parts are needed to create combinations with AUB67 boxes.



ASN85 Interconnector



AS101 Box support for concrete elements

Order information

| Type | Product ID | EAN | Description | Package |
|----------|--------------|---------------|---|---------|
| ANN25.20 | 2TKA00004642 | 6438199008820 | Inlet set 2 x 25/20 mm | 80 |
| AS25 | 2TKA130010G1 | 6418677329876 | Installation plug for mounting/junction boxes | 10/100 |
| ASN71 | 2TKA00005553 | 6438199017716 | Interconnector | 110 |
| ASN85 | 2TKA00004672 | 6438199008875 | Interconnector | 100 |
| AS101 | 2TKA00004251 | 6438199008257 | Box support for concrete elements | 60 |