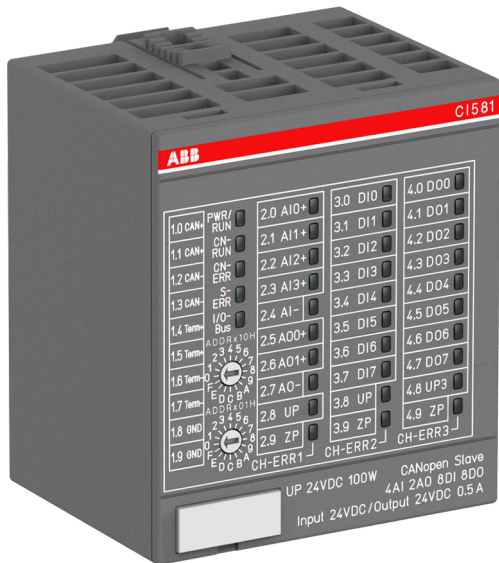


DATA SHEET

CI581

CANopen Communication Interface Module



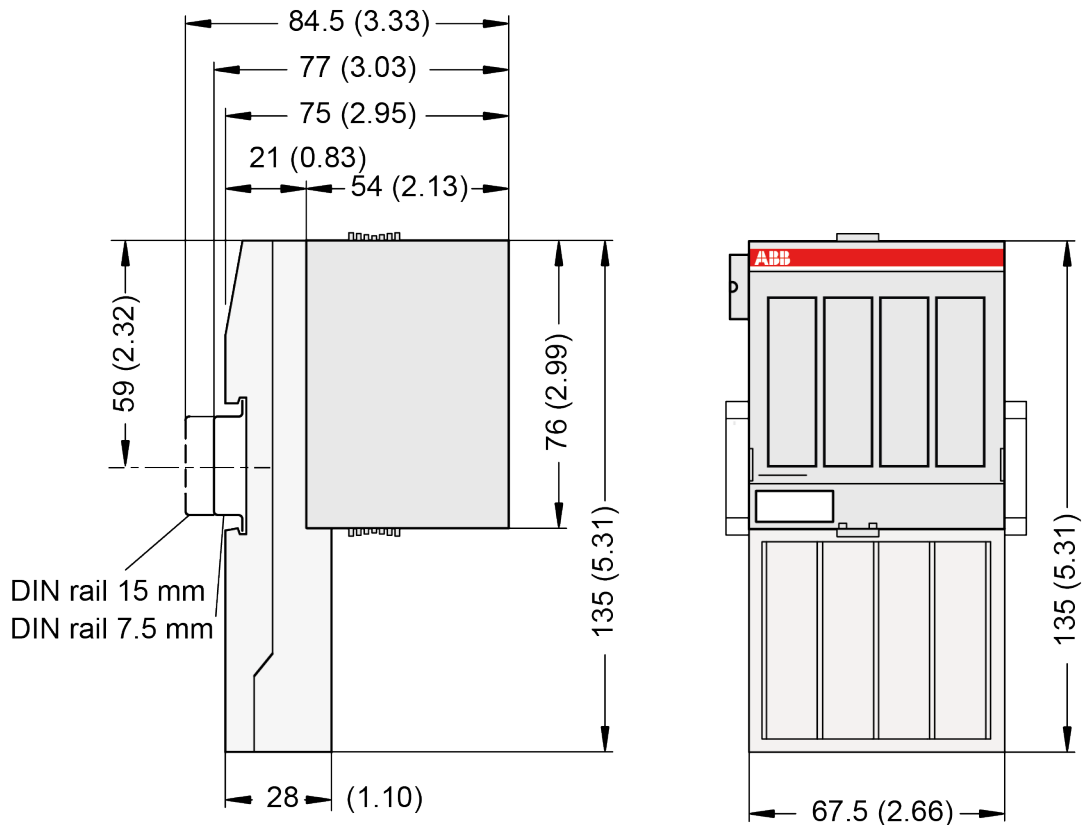
1 Ordering Data

Part no.	Description	Product Life Cycle Phase *)
1SAP 228 100 R0001	CI581-CN, CANopen bus module with 8 DI, 8 DO, 4 AI and 2 AO	Active
1SAP 428 100 R0001	CI581-CN-XC, CANopen bus module with 8 DI, 8 DO, 4 AI and 2 AO, XC version	Active



*) For planning and commissioning of new installations use modules in Active status only.

2 Dimensions



The dimensions are in mm and in brackets in inch.

3 Technical Data

The System Data of AC500 and S500 ↗ *Chapter 4 “System Data AC500” on page 7* are valid for standard version.

The System Data of AC500-XC ↗ *Chapter 5 “System Data AC500-XC” on page 11* are valid for the XC version.

Only additional details are therefore documented below.

The technical data are also valid for the XC version.



Multiple overloads

No effects of multiple overloads on isolated multi-channel modules occur, as every channel is protected individually by an internal smart high-side switch.

3.1 Technical Data of the Digital Inputs

Parameter	Value
Number of channels per module	8
Distribution of the channels into groups	1 group of 8 channels
Terminals of the channels DI0 to DI7	Terminals 3.0 to 3.7
Reference potential for all inputs	Terminals 2.9 ... 4.9 (negative pole of the supply voltage, signal name ZP)
Indication of the input signals	1 yellow LED per channel, the LED is ON when the input signal is high (signal 1)
Input type (according EN 61131-2)	Type 1
Input delay (0->1 or 1->0)	Typ. 0.1 ms, configurable from 0.1...32 ms
Input signal voltage	24 VDC
Signal 0	-3 V...+5 V
Undefined signal	> +5 V...< +15 V
Signal 1	+15 V...+30 V
Ripple with signal 0	Within -3 V...+5 V
Ripple with signal 1	Within +15 V...+30 V
Input current per channel	
Input voltage +24 V	Typ. 5 mA
Input voltage +5 V	> 1 mA
Input voltage +15 V	> 2 mA
Input voltage +30 V	< 8 mA
Max. cable length	
Shielded	1000 m
Unshielded	600 m

3.2 Technical Data of the Digital Outputs

Parameter	Value
Number of channels per module	8
Distribution of the channels into groups	1 group of 8 channels
Terminals of the channels DO0 to DO7	Terminals 4.0 to 4.7
Reference potential for all outputs	Terminals 2.9 ... 4.9 (negative pole of the supply voltage, signal name ZP)
Common power supply voltage	For all outputs terminal 4.8 (positive pole of the supply voltage, signal name UP3)
Output voltage for signal 1	UP3 (-0.8 V)
Output delay (0->1 or 1->0)	On request
Output current	
Rated value per channel	500 mA at UP3 = 24 V
Max. value (all channels together)	4 A
Leakage current with signal 0	< 0.5 mA

Parameter	Value
Fuse for UP3	10 A fast
Demagnetization with inductive DC load	Via internal varistors (see figure below this table)
Output switching frequency	
With resistive load	On request
With inductive loads	Max. 0.5 Hz
With lamp loads	11 Hz max. at 5 W max.
Short-circuit-proof / overload-proof	Yes
Overload message ($I > 0.7 \text{ A}$)	Yes, after ca. 100 ms
Output current limitation	Yes, automatic reactivation after short circuit/overload
Resistance to feedback against 24 V signals	Yes (software-controlled supervision)
Max. cable length	
Shielded	1000 m
Unshielded	600 m

The following drawing shows the circuitry of a digital input/output with the varistors for demagnetization when inductive loads are switched off.

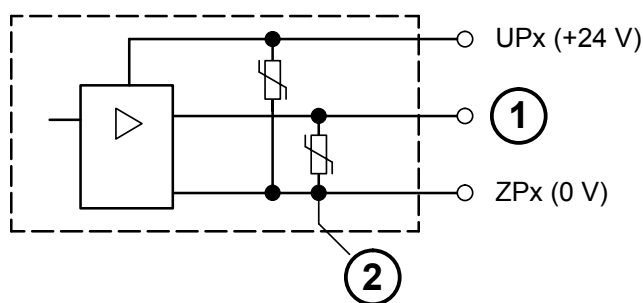


Fig. 1: Digital input/output (circuit diagram)

1	Digital output
2	Varistors for demagnetization when inductive loads are turned off

3.3 Technical Data of the Analog Inputs

Parameter	Value
Number of channels per module	4
Distribution of channels into groups	1 group with 4 channels
Connection if channels AI0+ to AI3+	Terminals 2.0 to 2.3
Reference potential for AI0+ to AI3+	Terminal 2.4 (AI-) for voltage and RTD measurement Terminal 2.9, 3.9 and 4.9 for current measurement
Input type	
Unipolar	Voltage 0...10 V, current or Pt100/Pt1000/Ni1000
Bipolar	Voltage -10...+10 V
Galvanic isolation	Against CANopen Bus

Parameter	Value
Configurability	0...10 V, -10...+10 V, 0/4...20 mA, Pt100/1000, Ni1000 (each input can be configured individually)
Channel input resistance	Voltage: > 100 k Ω Current: ca. 330 Ω
Time constant of the input filter	Voltage: 100 μ s Current: 100 μ s
Indication of the input signals	1 LED per channel (brightness depends on the value of the analog signal)
Conversion cycle	1 ms (for 4 inputs + 2 outputs); with RTDs Pt/Ni... 1 s
Resolution	Range 0...10 V: 12 bits Range -10...+10 V: 12 bits + sign Range 0...20 mA: 12 bits Range 4...20 mA: 12 bits Range RTD (Pt100, PT1000, Ni1000): 0.1 $^{\circ}$ C
Conversion error of the analog values caused by non-linearity, adjustment error at factory and resolution within the normal range	Typ. 0.5 %, max. 1 %
Relationship between input signal and hex code	Tables Input Ranges Voltage, Current and Digital Input and Input Range Resistor
Unused inputs	Are configured as "unused" (default value)
Overvoltage protection	Yes

3.4 Technical Data of the Analog Inputs if Used as Digital Inputs

Parameter	Value
Number of channels per module	Max. 4
Distribution of channels into groups	1 group of 4 channels
Connections of the channels AI0+ to AI3+	Terminals 2.0 to 2.3
Reference potential for the inputs	Terminals 2.9, 3.9 and 4.9 (ZP)
Indication of the input signals	1 LED per channel
Input signal voltage	24 VDC
Signal 0	-30 V...+5 V
Undefined signal	+5 V...+15 V
Signal 1	+15 V...+30 V
Input current per channel	
Input voltage +24 V	Typ. 7 mA
Input voltage +5 V	Typ. 1.4 mA
Input voltage +15 V	Typ. 3.7 mA
Input voltage +30 V	< 9 mA
Input resistance	Ca. 3.5 k Ω

3.5 Technical Data of the Analog Outputs

Parameter	Value
Number of channels per module	2
Distribution of channels into groups	1 group for 2 channels
Connection of the channels AO0+...AO1+	Terminals 1.5...1.6
Reference potential for AO0+ to AO1+	Terminal 2.7 (AO-) for voltage output Terminal 2.9, 3.9 and 4.9 for current output
Output type	
Unipolar	Current
Bipolar	Voltage
Galvanic isolation	Against internal supply and other modules
Configurability	-10...+10 V, 0...20 mA, 4...20 mA (each output can be configured individually)
Output resistance (load), as current output	0...500 Ω
Output loadability, as voltage output	±10 mA max.
Indication of the output signals	1 LED per channel (brightness depends on the value of the analog signal)
Resolution	12 bits (+ sign)
Conversion error of the analog values caused by non-linearity, adjustment error at factory and resolution within the normal range	Typ. 0.5 %, max. 1 %
Relationship between input signal and hex code	See
Unused outputs	Are configured as "unused" (default value) and can be left open-circuited

3.6 Technical Data of the Fast Counter

Parameter	Value
Used inputs	Terminal 3.0 (DI0), 3.1 (DI1)
Used outputs	Terminal 4.0 (DO0)
Counting frequency	Depending on operation mode: Mode 1 - 6: max. 200 kHz Mode 7: max. 50 kHz Mode 9: max. 35 kHz Mode 10: max. 20 kHz
Detailed description	Fast Counter
Operating modes	Operating modes

4 System Data AC500

4.1 Environmental Conditions

Table 1: Process and supply voltages

Parameter	Value
24 VDC	
Voltage	24 V (-15 %, +20 %)
Protection against reverse polarity	Yes
120 VAC	
Voltage	120 V (-15 %, +10 %)
Frequency	50/60 Hz (-6 %, +4 %)
230 VAC	
Voltage	230 VAC (-15 %, +10 %)
Frequency	50/60 Hz (-6 %, +4 %)
120 VAC...240 VAC wide range supply	
Voltage	120 V...240 V (-15 %, +10 %)
Frequency	50/60 Hz (-6 %, +4 %)
Allowed interruptions of power supply, according to EN 61131-2	
DC supply	Interruption < 10 ms, time between 2 interruptions > 1 s, PS2
AC supply	Interruption < 0.5 periods, time between 2 interruptions > 1 s



NOTICE!

Exceeding the maximum power supply voltage for process or supply voltages could lead to unrecoverable damage of the system. The system could be destroyed.



NOTICE!

Improper voltage level or frequency range which cause damage of AC inputs:

- AC voltage above 264 V
- Frequency below 47 Hz or above 62.4 Hz



NOTICE!

Improper connection leads cause overtemperature on terminals.
PLC modules may be destroyed by using wrong cable type, wire size and cable temperature classification.

Parameter	Value
Temperature	
Operating	0 °C...+60 °C: Horizontal mounting of modules. 0 °C...+40 °C: Vertical mounting of modules. Output load reduced to 50 % per group.
Storage	-40 °C...+70 °C

Parameter	Value
Transport	-40 °C...+70 °C
Humidity	Max. 95 %, without condensation
Air pressure	
Operating	> 800 hPa / < 2000 m
Storage	> 660 hPa / < 3500 m
Ingress protection	IP20

4.2 Creepage Distances and Clearances

The creepage distances and clearances meet the requirements of the overvoltage category II, pollution degree 2.

4.3 Insulation Test Voltages, Routine Test

According to EN 61131-2

Parameter	Value	
230 V circuits against other circuitry	2500 V	1.2/50 µs
120 V circuits against other circuitry	1500 V	1.2/50 µs
120 V...240 V circuits against other circuitry	2500 V	1.2/50 µs
24 V circuits (supply, 24 V inputs/outputs, analogue inputs/outputs), if they are electrically isolated against other circuitry	500 V	1.2/50 µs
COM interfaces, electrically isolated	500 V	1.2/50 µs
COM interfaces, electrically not isolated	Not applicable	Not applicable
FBP interface	500 V	1.2/50 µs
Ethernet	500 V	1.2/50 µs
ARCNET	500 V	1.2/50 µs
230 V circuits against other circuitry	1350 V	AC 2 s
120 V circuits against other circuitry	820 V	AC 2 s
120 V...240 V circuits against other circuitry	1350 V	AC 2 s
24 V circuits (supply, 24 V inputs/outputs, analogue inputs/outputs), if they are electrically isolated against other circuitry	350 V	AC 2 s

Parameter	Value	
COM interfaces, electrically isolated	350 V	AC 2 s
COM interfaces, electrically not isolated	Not applicable	Not applicable
FBP interface	350 V	AC 2 s
Ethernet	350 V	AC 2 s
ARCNET	350 V	AC 2 s

4.4 Power Supply Units

For the supply of the modules, power supply units according to PELV specifications must be used.

4.5 Electromagnetic Compatibility

Electromagnetic Compatibility		
Device suitable for:		
	Industrial applications	Yes
	Domestic applications	No
Immunity against electrostatic discharge (ESD):		According to IEC 61000-4-2, zone B, criterion B
	Electrostatic voltage in case of air discharge	8 kV
	Electrostatic voltage in case of contact discharge	4 kV, in a closed switch-gear cabinet 6 kV ¹⁾
	ESD with communication connectors	In order to prevent operating malfunctions, it is recommended, that the operating personnel discharge themselves prior to touching communication connectors or perform other suitable measures to reduce effects of electrostatic discharges.
	ESD with connectors of Terminal Bases	The connectors between the Terminal Bases and Processor Modules or Communication Modules must not be touched during operation. The same is valid for the I/O-Bus with all modules involved.
Immunity against the influence of radiated (CW radiated):		According to IEC 61000-4-3, zone B, criterion A
	Test field strength	10 V/m
Immunity against fast transient interference voltages (burst):		According to IEC 61000-4-4, zone B, criterion B
	Supply voltage units (DC)	2 kV
	Supply voltage units (AC)	2 kV
	Digital inputs/outputs (24 VDC)	1 kV
	Digital inputs/outputs (120 VAC...240 VAC)	2 kV
	Analog inputs/outputs	1 kV
	CS31 system bus	1 kV

Electromagnetic Compatibility		
	Serial RS-485 interfaces (COM)	1 kV
	Serial RS-232 interfaces (COM, not for PM55x and PM56x)	1 kV
	ARCNET	1 kV
	FBP	1 kV
	Ethernet	1 kV
	I/O supply (DC-out)	1 kV
Immunity against the influence of line-conducted interferences (CW conducted):		According to IEC 61000-4-6, zone B, criterion A
	Test voltage	3V zone B, 10 V is also met.
High energy surges		According to IEC 61000-4-5, zone B, criterion B
	Power supply DC	1 kV CM / 0.5 kV DM ²⁾
	DC I/O supply	0.5 kV CM / 0.5 kV DM ²⁾
	Communication Lines, shielded	1 kV CM ²⁾
	AC I/O unshielded	2 kV CM / 1 kV DM ²⁾
	I/O analog, I/O DC unshielded	1 kV CM / 0.5 kV DM ²⁾
Radiation (radio disturbance)		According to IEC 55011, group 1, class A

¹⁾ High requirement for shipping classes are achieved with additional specific measures (see specific documentation).

²⁾ CM = Common Mode, DM = Differential Mode

4.6 Mechanical Data

Parameter	Value
Mounting	Horizontal
Degree of protection	IP 20
Housing	Classification V-2 according to UL 94
Vibration resistance acc. to EN 61131-2	all three axes 2 Hz...8.4 Hz, continuous 3.5 mm 8.4 Hz...150 Hz, continuous 1 g (higher values on request)
Shock test	All three axes 15 g, 11 ms, half-sinusoidal
Mounting of the modules:	
DIN rail according to DIN EN 50022	35 mm, depth 7.5 mm or 15 mm
Mounting with screws	Screws with a diameter of 4 mm
Fastening torque	1.2 Nm

4.7 Approvals and certifications

Information on approvals and certificates can be found in the corresponding chapter of the *Main catalog, PLC Automation*.

5 System Data AC500-XC



Assembly, construction and connection of devices of the variant AC500-XC is identical to AC500 (standard). The following description provides information on general technical data of AC500-XC system.

5.1 Environmental Conditions

Table 2: Process and Supply Voltages

Parameter	Value
24 VDC	
Voltage	24 V (-15 %, +20 %)
Protection against reverse polarity	Yes
120 VAC...240 VAC wide range supply	
Voltage	120...240 V (-15 %, +10 %)
Frequency	50/60 Hz (-6 %, +4 %)
Allowed interruptions of power supply	
DC supply	Interruption < 10 ms, time between 2 interruptions > 1 s, PS2



NOTICE!

Exceeding the maximum power supply voltage for process or supply voltages could lead to unrecoverable damage of the system. The system could be destroyed.



NOTICE!

For the supply of the modules, power supply units according to PELV or SELV specifications must be used.



The creepage distances and clearances meet the requirements of the overvoltage category II, pollution degree 2.

Parameter	Value
Temperature	
Operating	<p>-40 °C...+70 °C</p> <p>-40 °C...-30 °C: Proper start-up of system; technical data not guaranteed</p> <p>-40 °C...0 °C: Due to the LCD technology, the display might respond very slowly.</p> <p>-40 °C...+40 °C: Vertical mounting of modules possible, output load limited to 50 % per group</p> <p>+60 °C...+70 °C with the following deratings:</p> <ul style="list-style-type: none"> • System is limited to max. 2 communication modules per terminal base • Applications certified for cULus up to +60 °C • Digital inputs: maximum number of simultaneously switched on input channels limited to 75 % per group (e.g. 8 channels => 6 channels) • Digital outputs: output current maximum value (all channels together) limited to 75 % per group (e.g. 8 A => 6 A) • Analog outputs only if configured as voltage output: maximum total output current per group is limited to 75 % (e.g. 40 mA => 30 mA) • Analog outputs only if configured as current output: maximum number of simultaneously used output channels limited to 75 % per group (e.g. 4 channels => 3 channels)
Storage / Transport	-40 °C...+85 °C
Humidity	Operating / Storage: 100 % r. H. with condensation
Air pressure	<p>Operating:</p> <p>-1000 m...4000 m (1080 hPa...620 hPa)</p> <p>> 2000 m (< 795 hPa):</p> <ul style="list-style-type: none"> • max. operating temperature must be reduced by 10 K (e.g. 70 °C to 60°C) • I/O module relay contacts must be operated with 24 V nominal only
Immunity to corrosive gases	<p>Operating: Yes, according to:</p> <p>ISA S71.04.1985 Harsh group A, G3/GX</p> <p>IEC 60721-3-3 3C2 / 3C3</p>
Immunity to salt mist	<p>Operating: Yes, horizontal mounting only, according to IEC 60068-2-52 severity level: 1</p>

**NOTICE!****Risk of corrosion!**

Unused connectors and slots may corrode if XC devices are used in salt-mist environments.

Protect unused connectors and slots with TA535 protective caps for XC devices
TA535.

Table 3: Electromagnetic Compatibility

Parameter	Value
Device suitable for:	
Industrial applications	Yes
Domestic applications	No
Radiated emission (radio disturbances)	Yes, according to: CISPR 16-2-3
Conducted emission (radio disturbances)	Yes, according to: CISPR 16-2-1, CISPR 16-1-2
Electrostatic discharge (ESD)	Yes, according to: IEC 61000-4-2, zone B, cri- terion B
Fast transient interference voltages (burst)	Yes, according to: IEC 61000-4-4, zone B, cri- terion B
High energy transient interference voltages (surge)	Yes, according to: IEC 61000-4-5, zone B, cri- terion B
Influence of radiated disturbances	Yes, according to: IEC 61000-4-3, zone B, cri- terion A
Influence of line-conducted interferences	Yes, according to: IEC 61000-4-6, zone B, cri- terion A
Influence of power frequency magnetic fields	Yes, according to: IEC 61000-4-8, zone B, cri- terion A



In order to prevent malfunctions, it is recommended, that the operating personnel discharge themselves prior to touching communication connectors or perform other suitable measures to reduce effects of electrostatic discharges.



NOTICE!
Risk of malfunctions!

Unused slots for communication modules are not protected against accidental physical contact.

- Unused slots for communication modules must be covered with dummy communication modules (TA524) to achieve IP20 rating.
- I/O bus connectors must not be touched during operation.

5.2 Mechanical Data

Parameter	Value
Wiring method	Spring terminals
Degree of protection	IP 20
Vibration resistance	Yes, according to: IEC 61131-2 IEC 60068-2-6 IEC 60068-2-64
Shock resistance	Yes, according to: IEC 60068-2-27
Assembly position	Horizontal Vertical (no application in salt mist environment)
Assembly on DIN rail	
DIN rail type	According to IEC 60715 35 mm, depth 7.5 mm or 15 mm
Assembly with screws	
Screw diameter	4 mm
Fastening torque	1.2 Nm

5.3 Environmental Tests

Parameter	Value
Storage	IEC 60068-2-1 Test Ab: cold withstand test -40 °C / 16 h IEC 60068-2-2 Test Bb: dry heat withstand test +85 °C / 16 h
Humidity	IEC 60068-2-30 Test Db: Cyclic (12 h / 12 h) damp-heat test 55 °C, 93 % r. H. / 25 °C, 95 % r. H., 6 cycles IEC 60068-2-78, stationary humidity test: 40 °C, 93 % r. H., 240 h
Insulation Test	IEC 61131-2
Vibration resistance	IEC 61131-2 / IEC 60068-26: 5 Hz...500 Hz, 2 g (with SD memory card inserted) IEC 60068-2-64: 5 Hz...500 Hz, 4 g rms
Shock resistance	IEC 60068-2-27: all 3 axes 15 g, 11 ms, half-sinusoidal

Table 4: EMC Immunity

Parameter	Value
Electrostatic discharge (ESD)	Electrostatic voltage in case of air discharge: 8 kV Electrostatic voltage in case of contact discharge: 6 kV
Fast transient interference voltages (burst)	Supply voltage units (DC): 4 kV Digital inputs/outputs (24 VDC): 2 kV Analog inputs/outputs: 2 kV Communication lines shielded: 2 kV I/O supply (DC-out): 2 kV

Parameter	Value
High energy transient interference voltages (surge)	Supply voltage units (DC): 1 kV CM *) / 0.5 kV DM *) Digital inputs/outputs (24 VDC): 1 kV CM *) / 0.5 kV DM *) Digital inputs/outputs (AC): 4 kV Analog inputs/outputs: 1 kV CM *) / 0.5 kV DM *) Communication lines shielded: 1 kV CM *) I/O supply (DC-out): 0,5 kV CM *) / 0.5 kV DM *)
Influence of radiated disturbances	Test field strength: 10 V/m
Influence of line-conducted interferences	Test voltage: 10 V
Power frequency magnetic fields	30 A/m 50 Hz 30 A/m 60 Hz

*) CM = Common Mode, * DM = Differential Mode