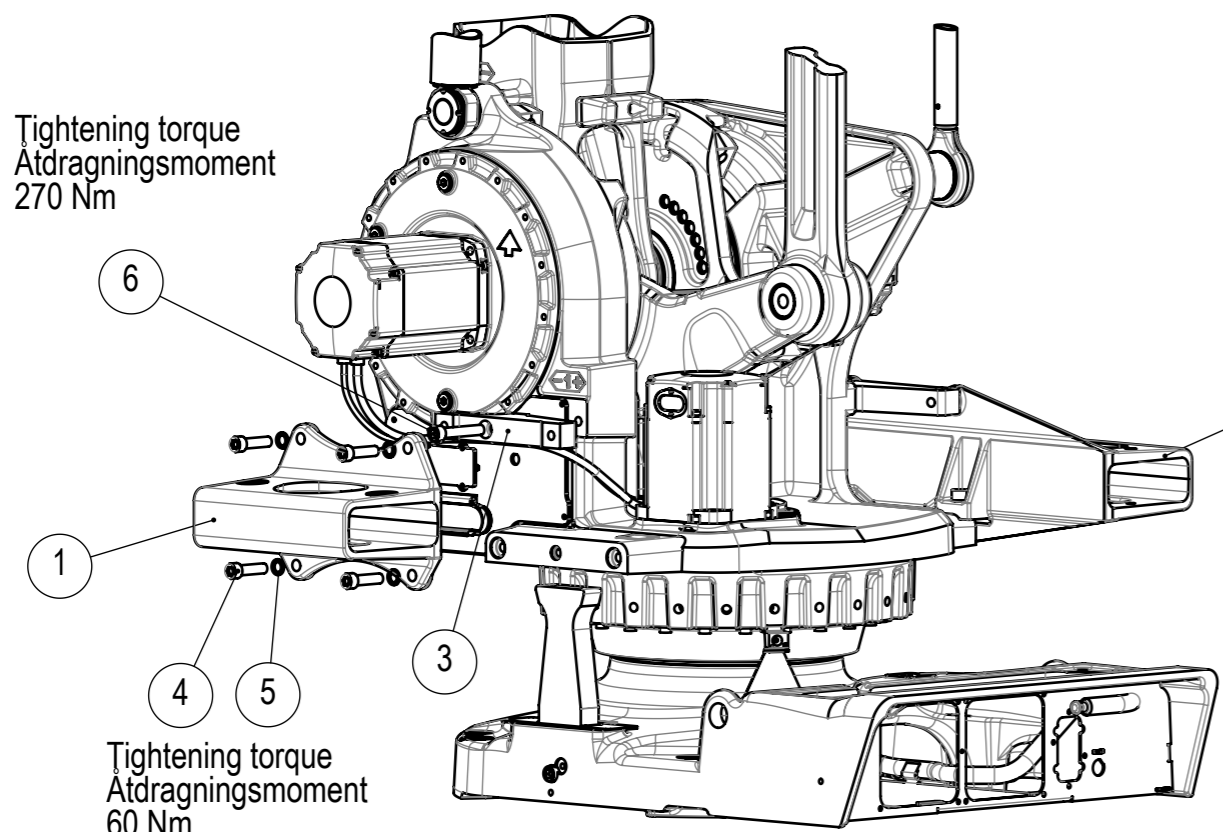
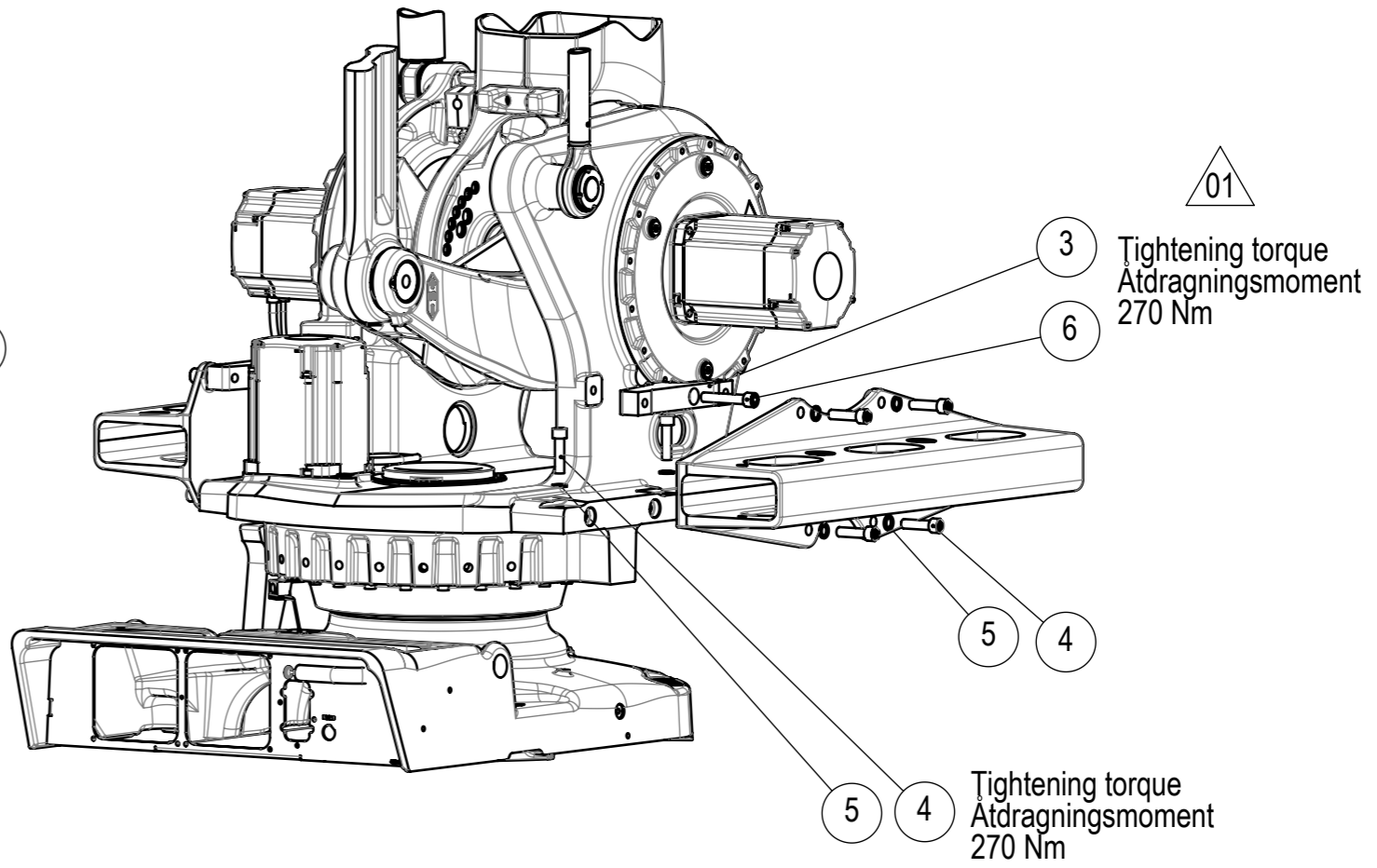


A



B

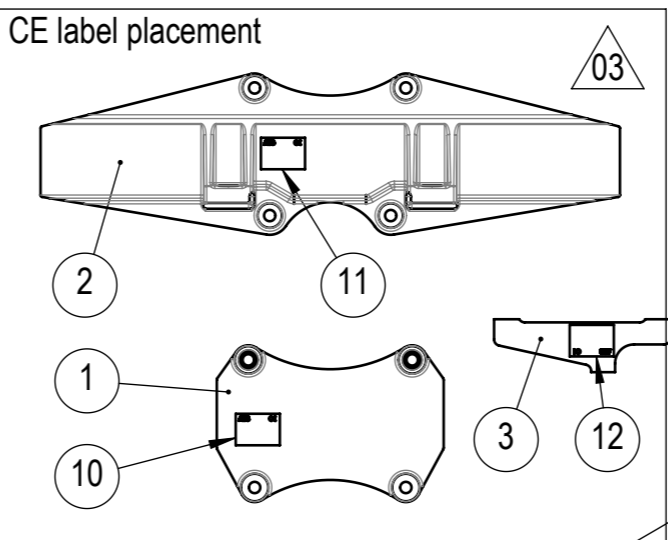
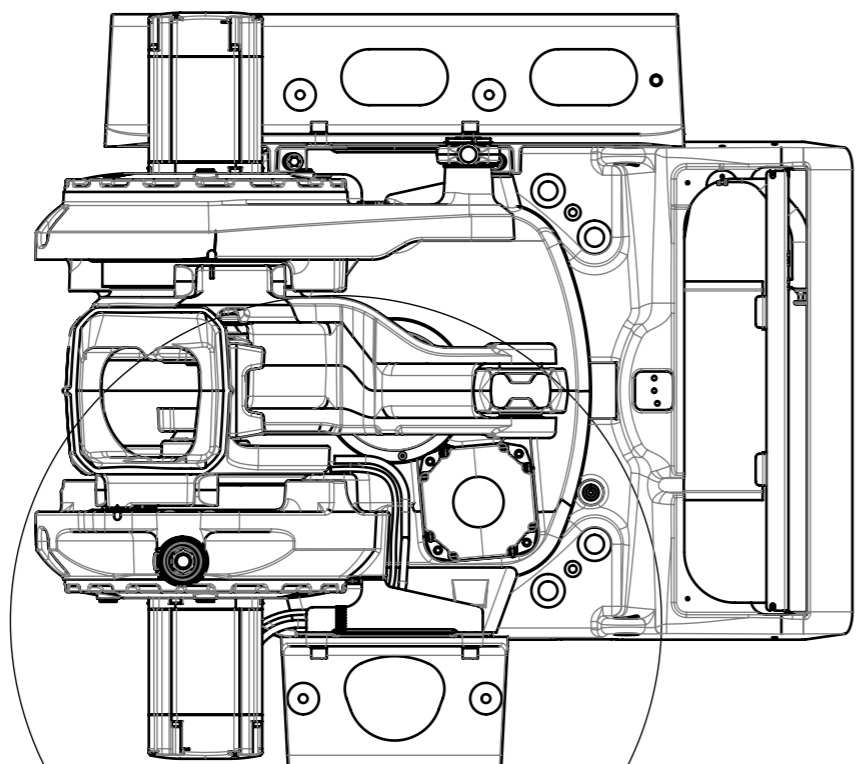


A

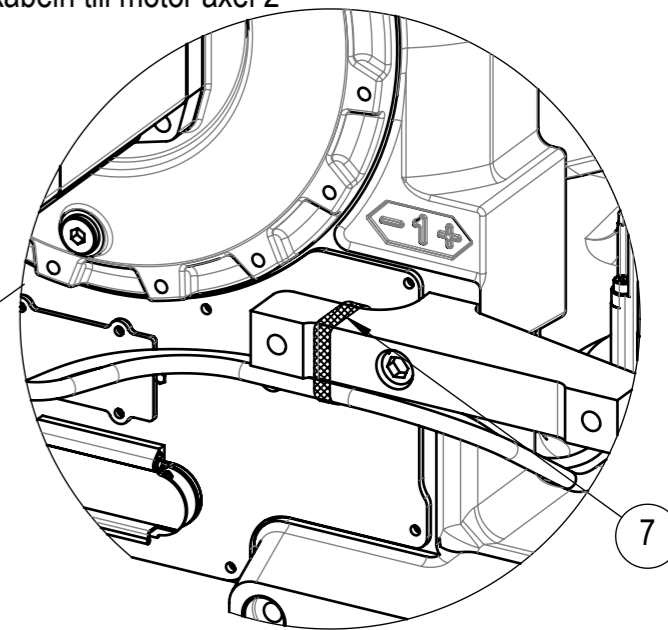
B

We reserve all rights in this document and in the information contained therein. Reproduction, use or disclosure to third parties without express authority is strictly forbidden. © Copyright 2003, ABB

C



Strap up axis 2 motor cable
Klamma upp kabeln till motor axel 2



C

D

ECO68220
C4: Changed item number on CE labels.

Latest Revision

Prepared J Grannas, 141128	Responsible Department DMRO SE/PRMD	Description SWD Drawing Fork lift device set Lyftdon till gaffeltruck	Sheet 1 No. of sh. 1 Rev. ind. 03
Approved J Nähls, 141203	Take over department		
Status Approved		Document no. 3HAC023044-002	
ABB ABB Automation Technologies AB			

D