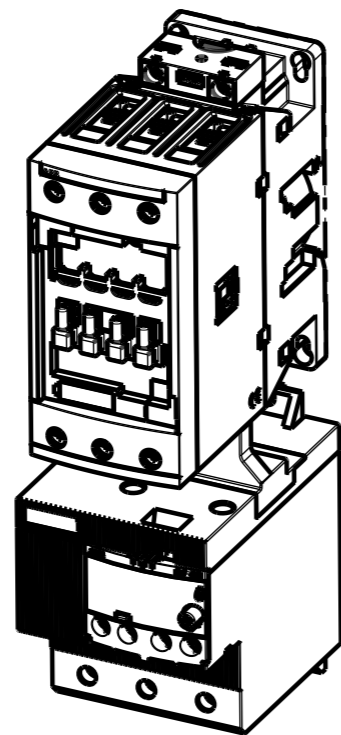
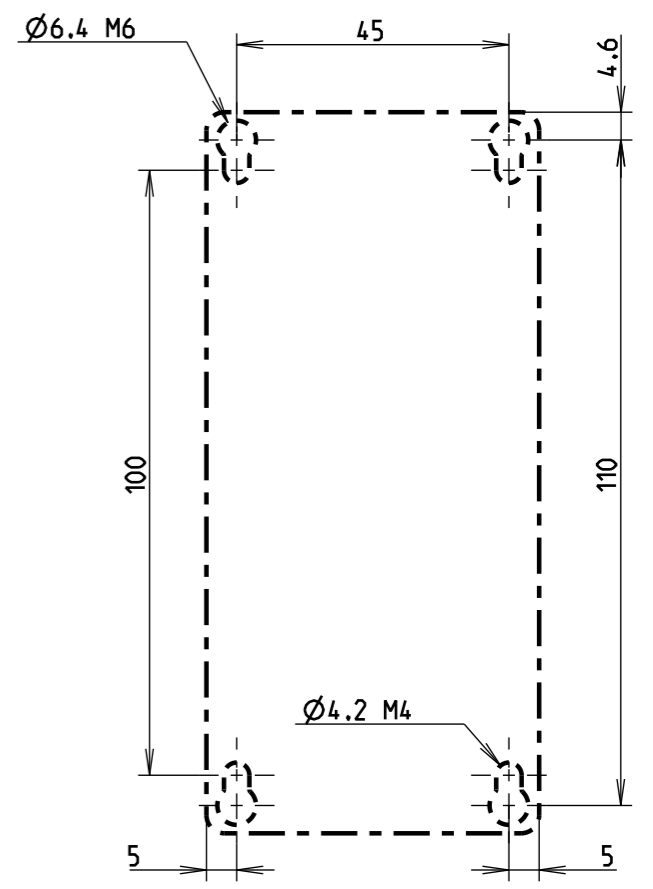
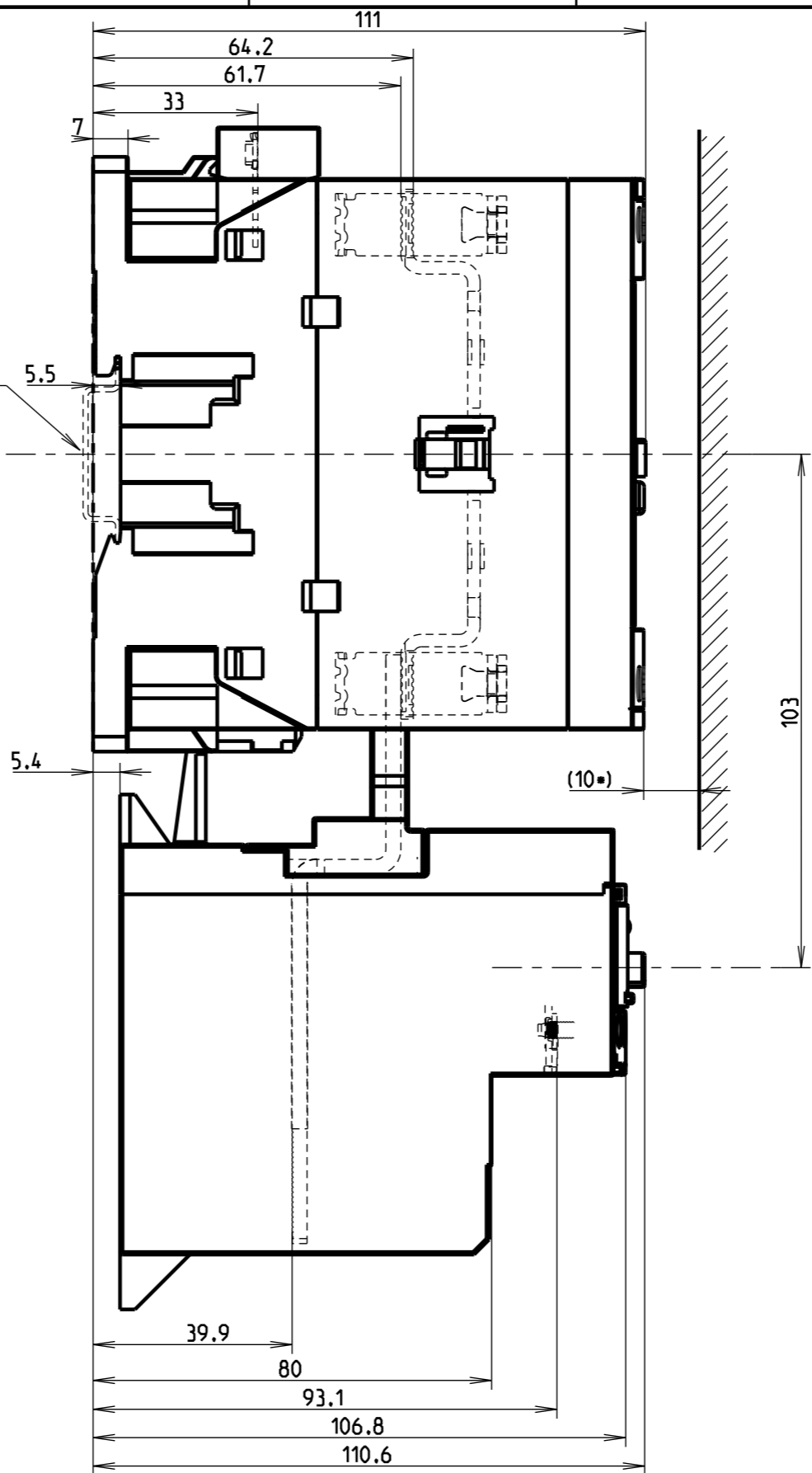


ECHELLE 2:5



35mm  
EN/IEC 60715



(\*) : minimum distance to grounded component

A	Creation	19/07/2012	-	Stephane Bovis	Gerard Valendru
Modif	Description	DATE	N°ECN	Author	Control
		State :	Observations: -		
	Author Bovis S	Creation 19/07/2012	Control Valendru G	First ECN 501094	Nb pg 1
Title : <b>AF40...65 + EF65</b>			Running number	Doc Size Type N°Page	Rev.lite
ENCUMBREMENTS/DIMENSIONS+DRILLING			1SBB505120D3501		A

The information contained in this document is to be kept strictly confidential. Any unauthorized use, reproduction, distribution or disclosure is strictly forbidden. ABB reserves all rights. © Copyright 2012 ABB. All rights reserved.