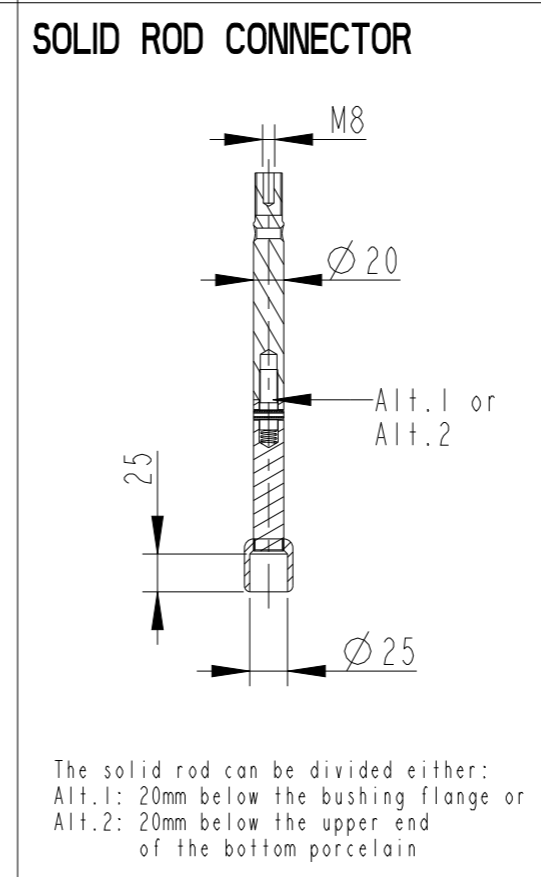
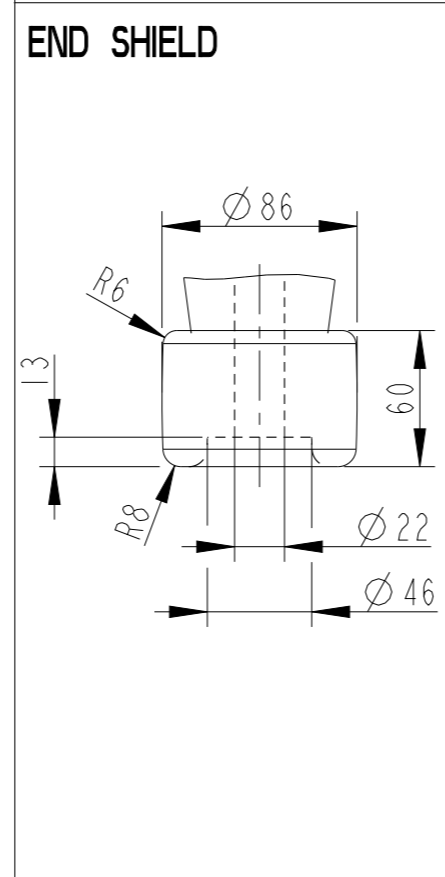
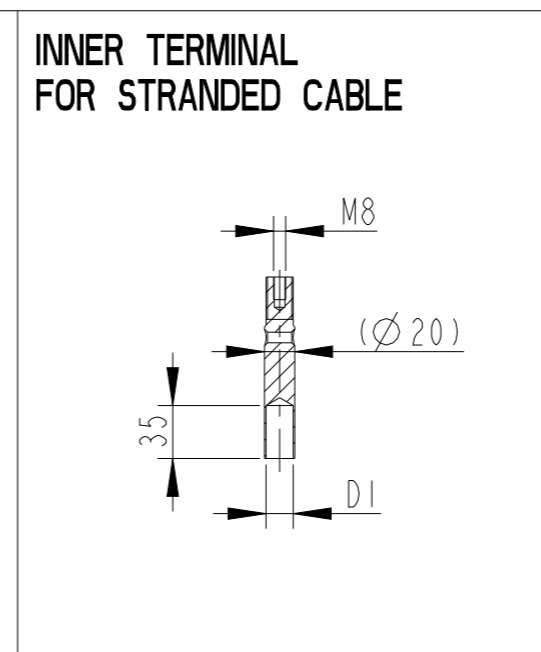
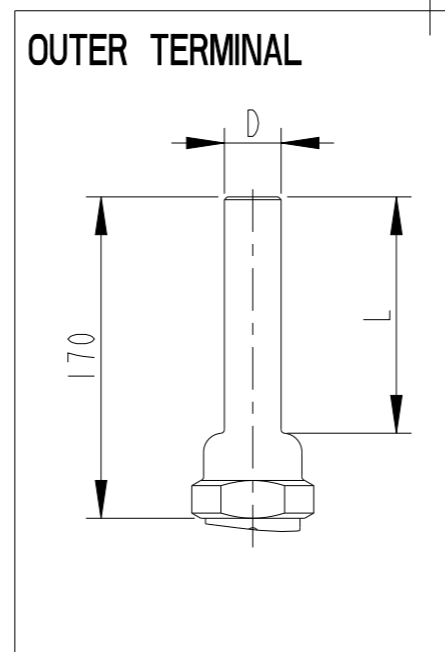
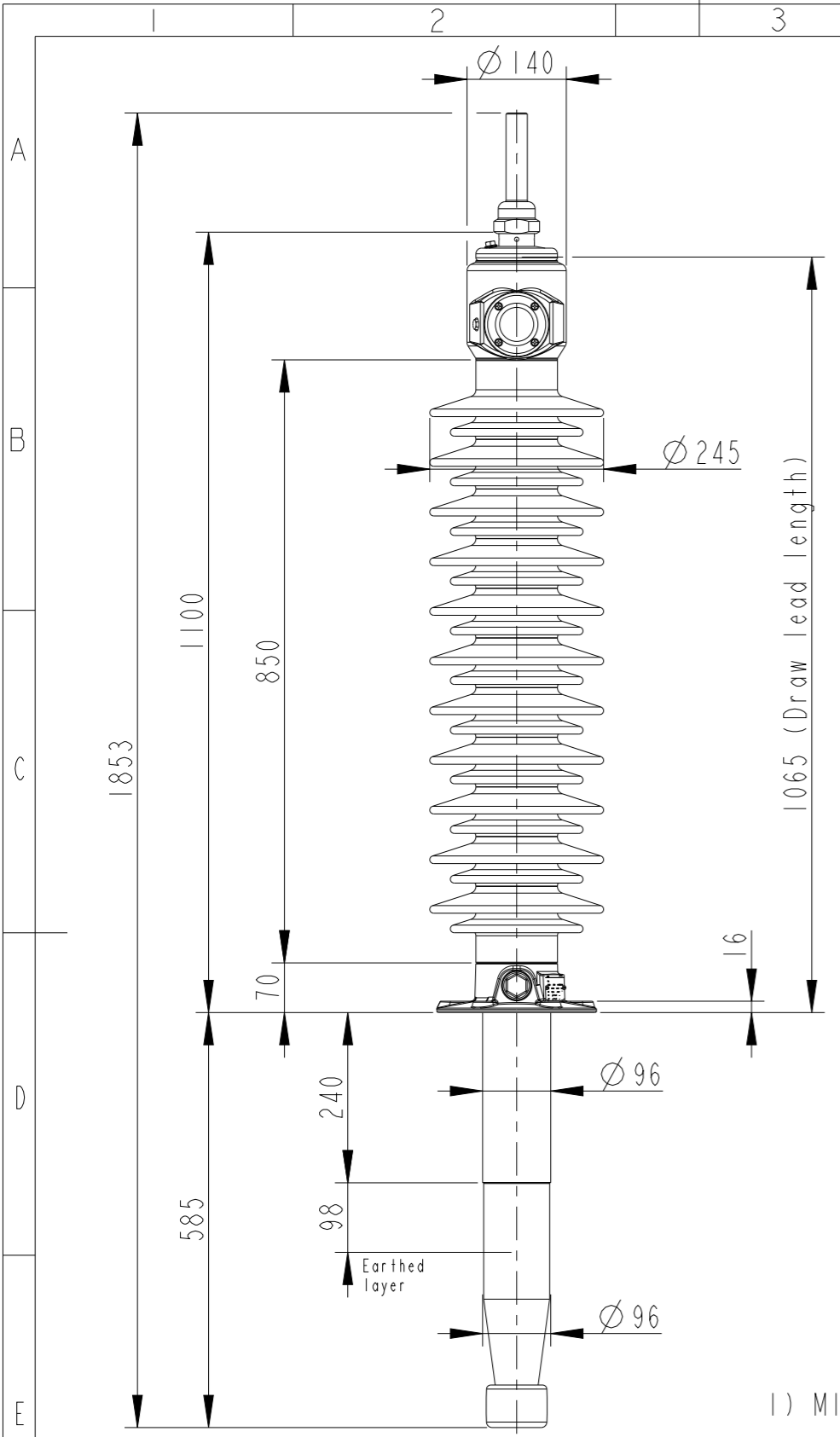


This document is issued by means of a computerized system. The digitally stored original is electronically approved. The approved document has a date entered in the "Approved"-field. A manual signature is not required.

We reserve all rights in this document and in the information contained therein. Reproduction, use or disclosure to third parties without express authority is strictly forbidden.

Revision	Revision text
D	Phase to Ground Voltage changed from 90 to 71kV



Bushing Data:

Rated Voltage	123	kV
Phase to Ground Voltage	Δ 71	kV
Dry Lightning Impulse 1,2/50 μ s	450	kV
Wet power frequency AC	185	kV
Routine test Imin dry 50Hz	195	kV
Rated Current	800	A
Creepage Distance	2720 \pm 80	mm
Creepage Distance Protected	1060	mm
Mass	56	kg

Ordering Data:

BUSHING	COLOUR AIR INSULATOR
LF123147-K	BROWN
LF123147-L	LIGHT GREY
LF123147-HK	BROWN Horizontal 45°-90°
LF123147-HL	LIGHT GREY Horizontal 45°-90°
OUTER TERMINAL	Material D L
LF 170 002-A	Cu alloy, \varnothing 30, 125
LF 170 001-A	Al, \varnothing 30, 125
OTHER TYPES ON REQUEST	
INNER TERMINAL FOR STRANDED CABLE	
For brazing	Conductor area D1
LF 170 011-S	up to 150mm ² \varnothing 18
LF 170 011-U	Undrilled with pilot hole \varnothing 5
For crimping or brazing	Conductor area D1
LF 170 010-M	50mm ² \varnothing 11
LF 170 010-N	70mm ² \varnothing 13
LF 170 010-L	95mm ² \varnothing 15
SOLID ROD CONNECTOR	Material
LF 170 019 -BT for Alt.1	Cu
LF 170 019 -BU for Alt.2	Cu

- 1) M12 (For Earthing)
- 2) \varnothing 4 Oil connection hole (only valid for horizontal mounting)

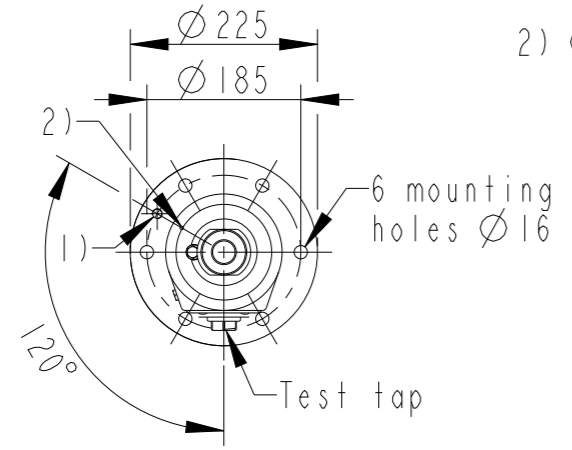


ABB		Ludvika, Sweden	
No.	kV Ir	A	50/60 Hz
Um	kV SL	kV AC	kV
BL	kg L	mm	°
M	pF Tan δ	x	
C1	pF Tan δ	x	
C2	pF Tan δ	x	

Created by Jacob Stefansson	Reviewed by Joakim Persson	Approved by Natalia Gutman
Approved 2019-11-06	Document Kind Outline Drawing	Based on doc.id Work order id Project id
Company ABB Technology Ltd	Title, Supplementary title GOB 450-800-0.3 WITH OIL LEVEL GAUGE STD END SHIELD	
Responsible Department SEABB-9AAE300824	Document id 2751369-201	Status Released
ABB	Revision D	Iteration 1/1