

Heavy Duty Series

Plug and socket backshell interface for HDSCS & CTCS XP Connector Series



The Harnessflex Heavy Duty Series offers safe and secure cable protection for TE HDSCS and Aptiv CTCS XP Type B & E connectors, helping to maintain continuous vehicle operation even in the toughest conditions.

Features & benefits:

- Provides a continuous connection between harness and connector
- Mechanical protection and a degree of ingress protection against dust
- Strain relief
- Abrasion and vibration protection
- Protects from full force of jet washing

Applications:

- Construction vehicles
- Agricultural machinery
- Trucks and other heavy duty vehicles
- Special vehicles
- Electric bus
- Autobus

Compatible with:

- All Harnessflex conduits

Material:

- Polyamide 66 (Nylon)
 - UV Resistant
 - Heat Stabilised

Temperature range:

- Normal use: -40 to +140°C (-40 to +248°F)

Conforms to:

- CE Mark to the low voltage directive
- RoHS Compliant to 2011/65/EU
- End of Life Vehicle directive (ELV) 2000/53/EC

Ingress protection:

- IP40

Chemical resistance guide:

- Please refer to TDS000081

TE HDSCS Connector Series plug and socket backshell interface – Part numbers and dimensions

Part No.	Type	Dimensions (mm)			Weight (g)	Conduit size (NC)	Conduit size (NW)
		A	B	C			
Straight Interface Series							
CI08-HDSCS-B	B	33.5	23.9	12.9	3.4	08	7.5
CI12-HDSCS-B	B	33.5	23.9	16	3.5	12	10
CI20-HDSCS-E	E	41.1	48.9	24.8	7.8	20	17
90° Elbow Interface Series (1 Part Fixed Elbow)							
CI20-F90-HDSCS-E	E	67.9	39	24.8	10	20	17

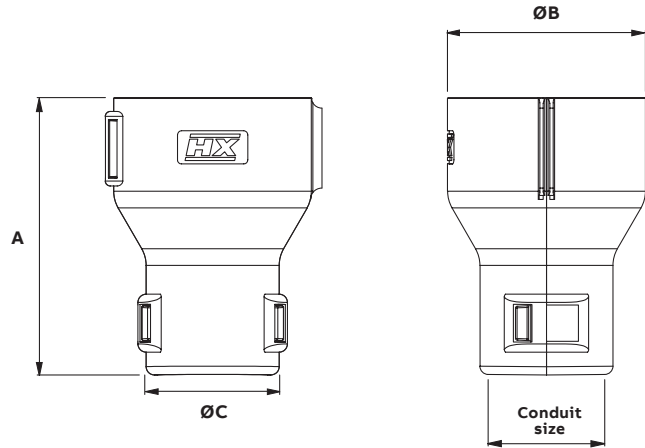
Colour: Black as standard.

Harnessflex Heavy Duty Series connectors compatible with:

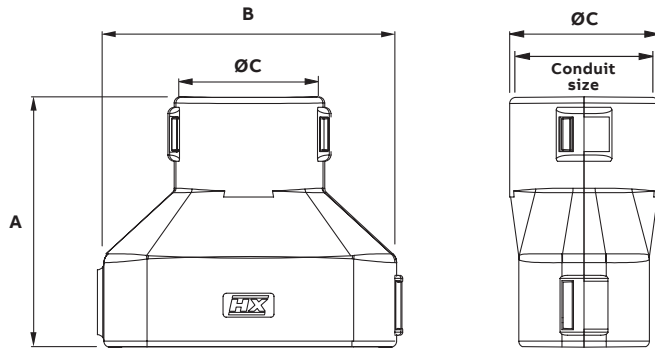
Type B		
TE	*-1703773-1	*-1418469-1
	*-1703808-1	*-1703818-1
	*-1703820-1	*-1418390-1
Aptiv	33308731	33346867
	33308912	33347886
	33308961	33346852
	33308974	33346865
	33308978	33346866
	33308982	33347865

Type E		
TE	*-1564337-1	*-1563759-1
	*-1564526-1	*-1564412-1
	*-1564337-1	*-1564407-1
	*-1564528-1	*-1563878-1
	*-1564532-1	*-1564530-1
	*-1670901-1	*-1564330-1
	*-1564534-1	-
Aptiv	33285171	33347859
	33285172	33347875
	33342234	33347874
	33342243	33347860
	33342277	33347876
	33342293	33347872
	33343701	33349151
	33344005	33347873

CI08-HDSCS-B & CI12-HDSCS-B Dimensions



CI20-HDSCS-E Dimensions



CI20-F90-HDSCS-E Dimensions

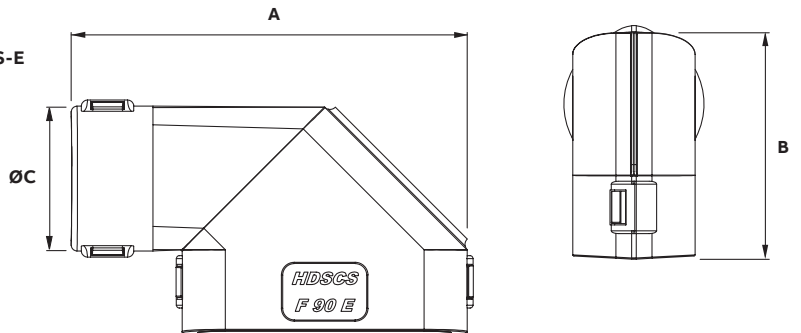


ABB UK Ltd
 CMG House, Station Road,
 Coleshill, Birmingham
 B46 1 HT
 Tel: +44 (0) 115 964 3700
 E-Mail: sales@harnessflex.co.uk

www.harnessflex.com

We reserve the right to make technical changes or modify the contents of this document without prior notice. With regard to purchase orders, the agreed particulars shall prevail. ABB AG does not accept any responsibility whatsoever for potential errors or possible lack of information in this document.

We reserve all rights in this document and in the subject matter and illustrations contained therein. Any reproduction, disclosure to third parties or utilisation of its contents – in whole or in parts – is forbidden without prior written consent of ABB AG. Copyright © 2021 ABB. All rights reserved.