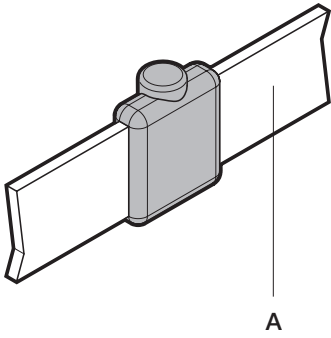


FurseWELD

Bar to bar BB1



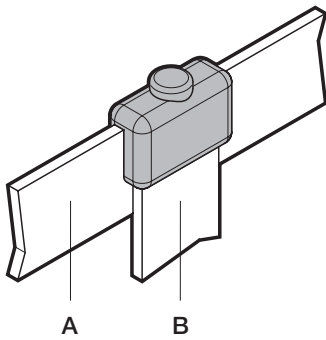
Bar to bar BB1 - FurseWELD

Flat Tape Conductor Size A (mm)	Part No.				
	Powder Cartridge	Standard Mould	Handle Clamps	Mini Mould	Mini Handle Clamps
20 x 3	45P10	BB1-4-203	HCPK4	BB1-3-203	HCPK3
25 x 3	65P10	BB1-4-253	HCPK4	BB1-3-253	HCPK3
25 x 4	90P10	BB1-4-254	HCPK4	BB1-3-254	HCPK3
25 x 6	150P10	BB1-4-256	HCPK4	-	-
30 x 2	65P10	BB1-4-302	HCPK4	BB1-3-302	HCPK3
30 x 3	90P10	BB1-4-303	HCPK4	BB1-3-303	HCPK3
30 x 4	115P10	BB1-4-304	HCPK4	BB1-3-304	HCPK3
30 x 5	115P10	BB1-4-305	HCPK4	BB1-3-305	HCPK3
31 x 3	90P10	BB1-4-313	HCPK4	BB1-3-313	HCPK3
31 x 6	150P10	BB1-4-316	HCPK4	-	-
38 x 3	115P10	BB1-4-383	HCPK4	-	-
38 x 5	150P10	BB1-4-385	HCPK4	-	-
38 x 6	200P10	BB1-4-386	HCPK4	-	-
40 x 3	115P10	BB1-4-403	HCPK4	-	-
40 x 4	150P10	BB1-4-404	HCPK4	-	-
40 x 5	150P10	BB1-4-405	HCPK4	-	-
40 x 6	200P10	BB1-4-406	HCPK4	-	-
50 x 3	150P10	BB1-4-503	HCPK4	-	-
50 x 4	200P10	BB1-4-504	HCPK4	-	-
50 x 5	200P10	BB1-4-505	HCPK4	-	-
50 x 6	250P10	BB1-4-506	HCPK4	-	-

Special moulds for all FurseWELD products can be manufactured to meet specific customer applications on request

FurseWELD

Bar to bar BB3



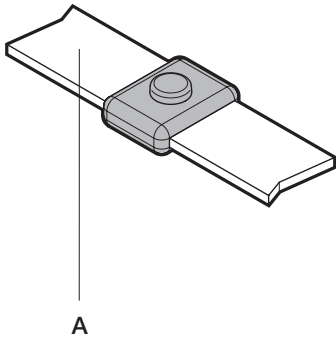
Bar to bar BB3 - FurseWELD

Flat Tape Conductor Size A (mm)	Flat Tape Conductor Size B (mm)	Part No.				
		Cartridge	Standard Mould	Handle Clamps	Mini Mould	Mini Handle Clamps
20 x 3	20 x 3	65P10	BB3-4-203203	HCPK4	BB3-3-203203	HCPK3
25 x 3	25 x 3	65P10	BB3-4-253253	HCPK4	BB3-3-253253	HCPK3
25 x 4	25 x 4	90P10	BB3-4-254254	HCPK4	BB3-3-254254	HCPK3
25 x 6	25 x 6	150P10	BB3-4-256256	HCPK4	-	-
30 x 2	30 x 2	65P10	BB3-4-302302	HCPK4	BB3-3-302302	HCPK3
30 x 3	30 x 3	90P10	BB3-4-303303	HCPK4	BB3-3-303303	HCPK3
30 x 4	30 x 4	115P10	BB3-4-304304	HCPK4	BB3-3-304304	HCPK3
30 x 5	30 x 5	115P10	BB3-4-305305	HCPK4	BB3-3-305305	HCPK3
31 x 3	31 x 3	115P10	BB3-4-313313	HCPK4	BB3-3-313313	HCPK3
31 x 6	31 x 6	200P10	BB3-4-316316	HCPK4	-	-
38 x 3	38 x 3	115P10	BB3-4-383383	HCPK4	-	-
38 x 5	38 x 5	150P10	BB3-4-385385	HCPK4	-	-
38 x 6	38 x 6	200P10	BB3-4-386386	HCPK4	-	-
40 x 3	40 x 3	115P10	BB3-4-403403	HCPK4	-	-
40 x 4	40 x 4	150P10	BB3-4-404404	HCPK4	-	-
40 x 5	40 x 5	150P10	BB3-4-405405	HCPK4	-	-
40 x 6	40 x 6	200P10	BB3-4-406406	HCPK4	-	-
50 x 3	50 x 3	200P10	BB3-4-503503	HCPK4	-	-
50 x 4	50 x 4	200P10	BB3-4-504504	HCPK4	-	-
50 x 5	50 x 5	200P10	BB3-4-505505	HCPK4	-	-
50 x 6	50 x 6	250P10	BB1-4-506	HCPK4	-	-

Special moulds for all FurseWELD products can be manufactured to meet specific customer applications on request

FurseWELD

Bar to bar BB7



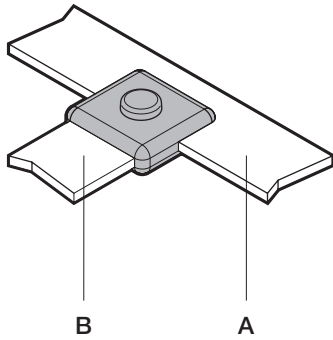
Bar to bar BB7 - FurseWELD

Flat Tape Conductor Size A (mm)	Part No.				
	Powder Cartridge	Standard Mould	Handle Clamps	Mini Mould	Mini Handle Clamps
20 x 3	45P10	BB7-4-203	HCPK4	BB7-3-203	HCPK3
25 x 3	65P10	BB7-4-253	HCPK4	BB7-3-253	HCPK3
25 x 4	90P10	BB7-4-254	HCPK4	BB7-3-254	HCPK3
25 x 6	115P10	BB7-4-256	HCPK4	BB7-3-256	HCPK3
30 x 2	65P10	BB7-4-302	HCPK4	BB7-3-302	HCPK3
30 x 3	65P10	BB7-4-303	HCPK4	BB7-3-303	HCPK3
30 x 4	90P10	BB7-4-304	HCPK4	BB7-3-304	HCPK3
30 x 5	115P10	BB7-4-305	HCPK4	BB7-3-305	HCPK3
31 x 3	65P10	BB7-4-313	HCPK4	BB7-3-313	HCPK3
31 x 6	150P10	BB7-4-316	HCPK4	-	-
38 x 3	90P10	BB7-4-383	HCPK4	-	-
38 x 5	150P10	BB7-4-385	HCPK4	-	-
38 x 6	200P10	BB7-4-386	HCPK4	-	-
40 x 3	90P10	BB7-4-403	HCPK4	-	-
40 x 4	115P10	BB7-4-404	HCPK4	-	-
40 x 5	150P10	BB7-4-405	HCPK4	-	-
40 x 6	200P10	BB7-4-406	HCPK4	-	-
50 x 3	150P10	BB7-5-503	HCPK5	-	-
50 x 4	200P10	BB7-5-504	HCPK5	-	-
50 x 5	200P10	BB7-5-505	HCPK5	-	-
50 x 6	250P10	BB7-5-506	HCPK5	-	-

Special moulds for all FurseWELD products can be manufactured to meet specific customer applications on request

FurseWELD

Bar to bar BB14



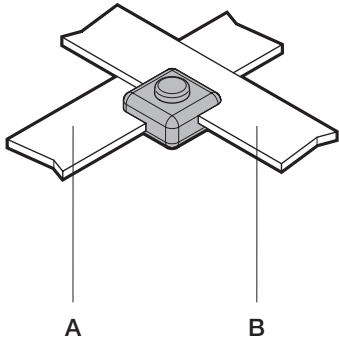
Bar to bar BB14 - FurseWELD

Flat Tape Conductor Size A (mm)	Flat Tape Conductor Size B (mm)	Part No.				
		Powder Cartridge	Standard Mould	Handle Clamps	Mini Mini Mould	Handle Clamps
20 x 3	20 x 3	45P10	BB14-4-203203	HCPK4	BB14-3-203203	HCPK3
25 x 3	25 x 3	65P10	BB14-4-253253	HCPK4	BB14-3-253253	HCPK3
25 x 4	25 x 4	90P10	BB14-4-254254	HCPK4	BB14-3-254254	HCPK3
25 x 6	25 x 6	115P10	BB14-4-256256	HCPK4	BB14-3-256256	HCPK3
30 x 2	30 x 2	65P10	BB14-4-302302	HCPK4	BB14-3-302302	HCPK3
30 x 3	30 x 3	65P10	BB14-4-303303	HCPK4	BB14-3-303303	HCPK3
30 x 4	30 x 4	90P10	BB14-4-304304	HCPK4	BB14-3-304304	HCPK3
30 x 5	30 x 5	115P10	BB14-4-305305	HCPK4	BB14-3-305305	HCPK3
31 x 3	31 x 3	90P10	BB14-4-313313	HCPK4	BB14-3-313313	HCPK3
31 x 6	31 x 6	150P10	BB14-4-316316	HCPK4	-	-
38 x 3	38 x 3	90P10	BB14-4-383383	HCPK4	-	-
38 x 5	38 x 5	150P10	BB14-4-385385	HCPK4	-	-
38 x 6	38 x 6	200P10	BB14-4-386386	HCPK4	-	-
40 x 3	40 x 3	90P10	BB14-4-403403	HCPK4	-	-
40 x 4	40 x 4	115P10	BB14-4-404404	HCPK4	-	-
40 x 5	40 x 5	150P10	BB14-4-405405	HCPK4	-	-
40 x 6	40 x 6	200P10	BB14-4-406406	HCPK4	-	-
50 x 3	50 x 3	150P10	BB14-5-503503	HCPK5	-	-
50 x 4	50 x 4	200P10	BB14-5-504504	HCPK5	-	-
50 x 5	50 x 5	200P10	BB14-5-505505	HCPK5	-	-
50 x 6	50 x 6	250P10	BB14-5-506506	HCPK5	-	-

Special moulds for all FurseWELD products can be manufactured to meet specific customer applications on request

FurseWELD

Bar to bar BB41



Bar to bar BB41 - FurseWELD

Flat Tape Conductor Size A (mm)	Flat Tape Conductor Size B (mm)	Part No.				
		Powder Cartridge	Standard Mould	Handle Clamps	Mini Mould	Mini Handle Clamps
20 x 3	20 x 3	65P10	BB41-4-203203	HCPK4	BB41-3-203203	HCPK3
25 x 3	25 x 3	65P10	BB41-4-253253	HCPK4	BB41-3-253253	HCPK3
25 x 4	25 x 4	90P10	BB41-4-254254	HCPK4	BB41-3-254254	HCPK3
25 x 6	25 x 6	115P10	BB41-4-256256	HCPK4	BB41-3-256256	HCPK3
30 x 2	30 x 2	65P10	BB41-4-302302	HCPK4	BB41-3-302302	HCPK3
30 x 3	30 x 3	115P10	BB41-4-303303	HCPK4	BB41-3-303303	HCPK3
30 x 4	30 x 4	115P10	BB41-4-304304	HCPK4	BB41-3-304304	HCPK3
30 x 5	30 x 5	115P10	BB41-4-305305	HCPK4	BB41-3-305305	HCPK3
31 x 3	31 x 3	115P10	BB41-4-313313	HCPK4	BB41-3-313313	HCPK3
31 x 6	31 x 6	115P10	BB41-4-316316	HCPK4	BB41-3-316316	HCPK3
38 x 3	38 x 3	150P10	BB41-4-383383	HCPK4	—	—
38 x 5	38 x 5	150P10	BB41-4-385385	HCPK4	—	—
38 x 6	38 x 6	200P10	BB41-4-386386	HCPK4	—	—
40 x 3	40 x 3	200P10	BB41-4-403403	HCPK4	—	—
40 x 4	40 x 4	200P10	BB41-4-404404	HCPK4	—	—
40 x 5	40 x 5	200P10	BB41-4-405405	HCPK4	—	—
40 x 6	40 x 6	200P10	BB41-4-406406	HCPK4	—	—
50 x 3	50 x 3	200P10	BB41-5-503503	HCPK5	—	—
50 x 4	50 x 4	200P10	BB41-5-504504	HCPK5	—	—
50 x 5	50 x 5	200P10	BB41-5-505505	HCPK5	—	—
50 x 6	50 x 6	200P10	BB41-5-506506	HCPK5	—	—

Special moulds for all FurseWELD products can be manufactured to meet specific customer applications on request