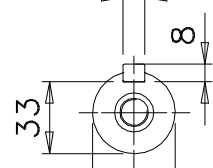
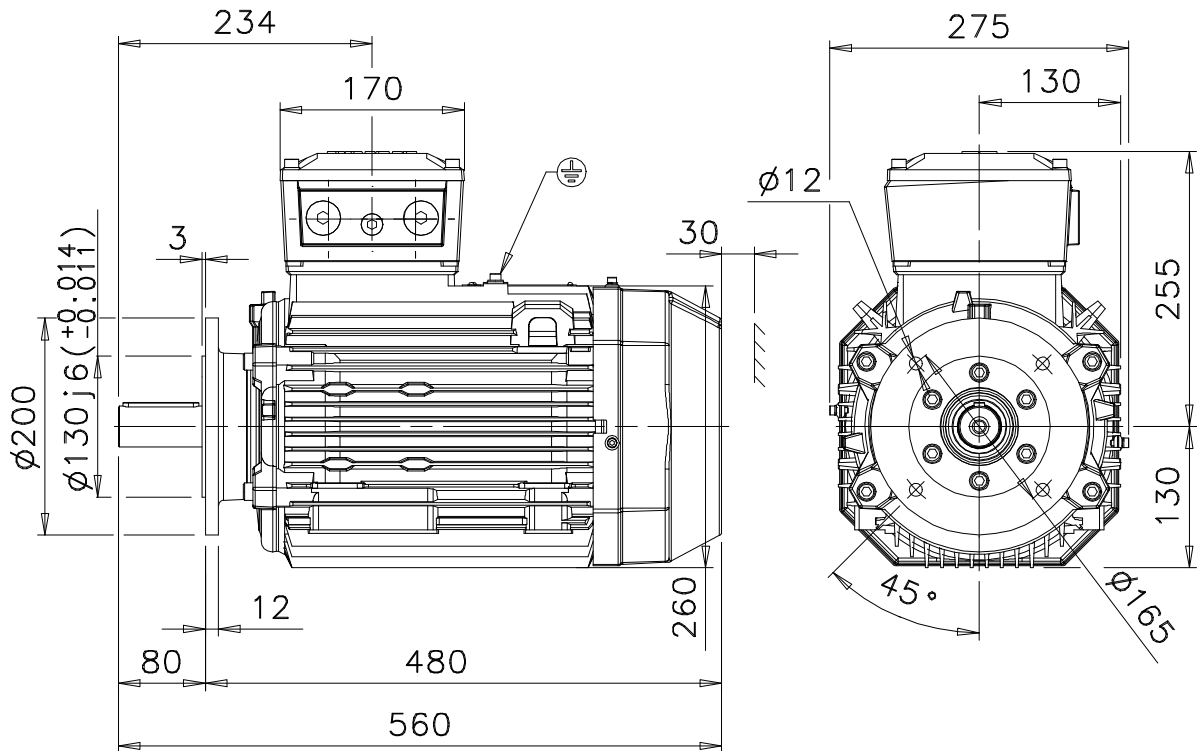


10h9(-0.036)



∅38k6(+0.018/+0.002)



Additional information:

<b>Dimension Print</b>	Motor Type: M3JP 132SM_2-8, B5, V3, FF165	Document No: 3GZF500213-69 A 13 JP 132 A
	Description: STANDARD SQUIRREL CAGE MOTOR	
Unit: Date:	ABB Oy, Motors and Generators 07.02.2011	Issued by: Approved by:
	R.Ketonen P.Viitanen	Replaces: Replaced by:
<b>ABB Oy</b>	Customer Reference:	<b>ABB</b>