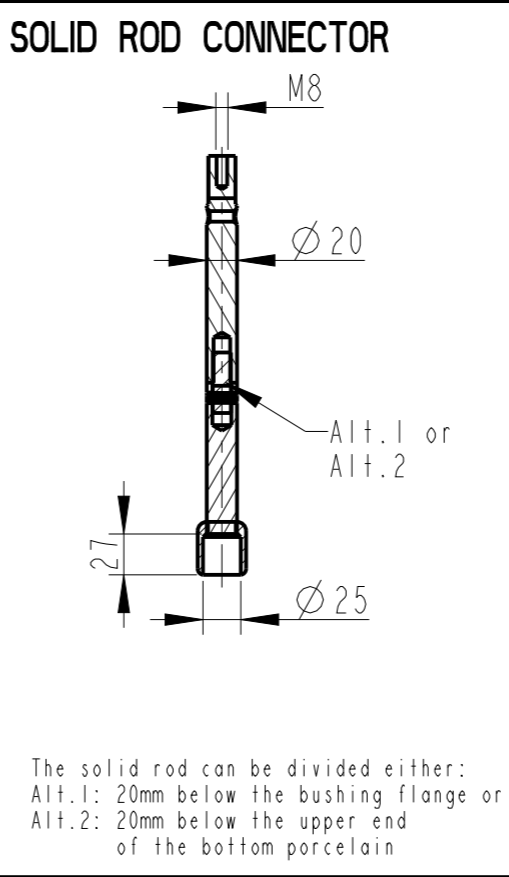
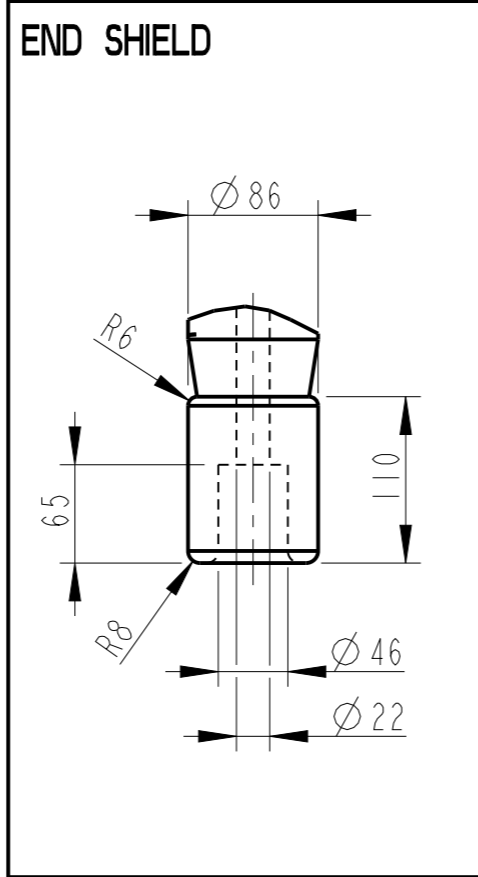
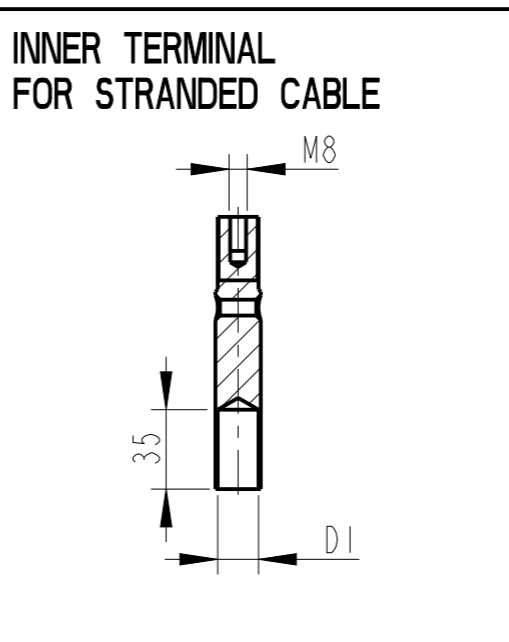
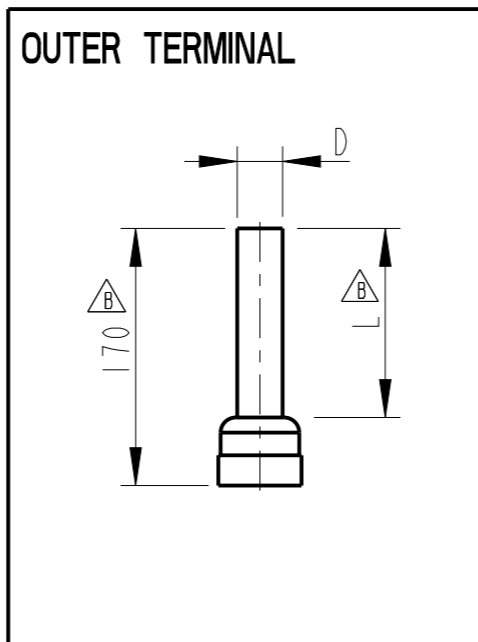
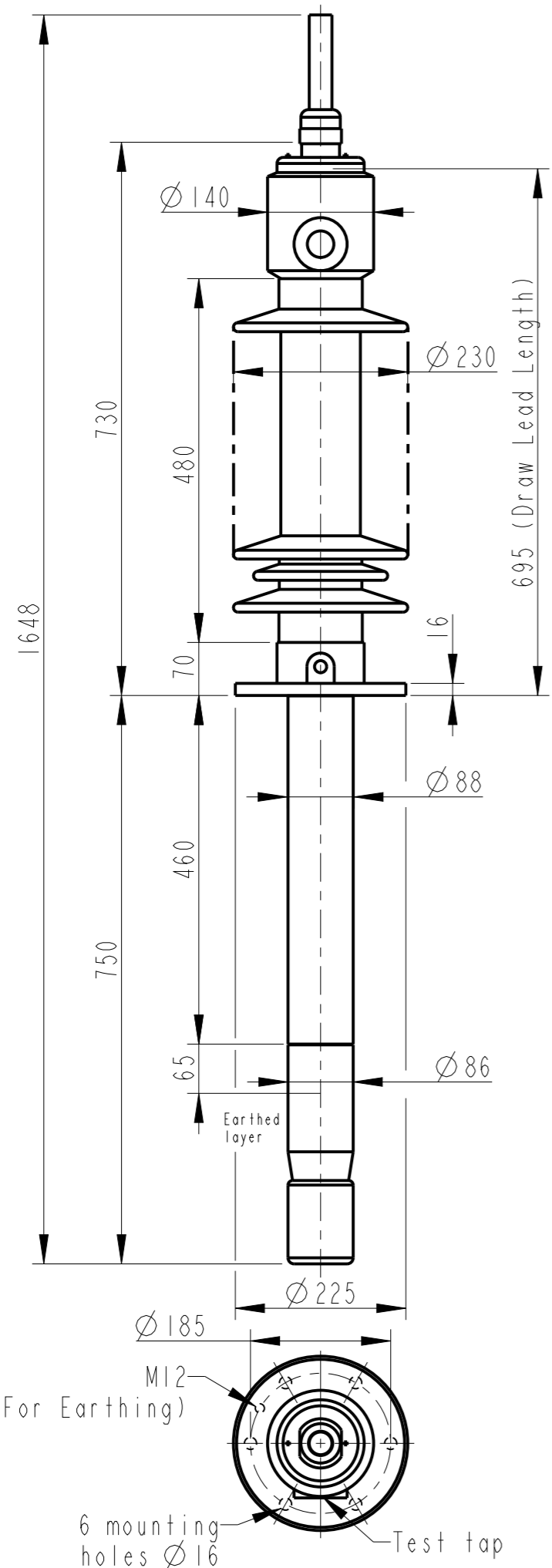


This document is issued by means of a computerized system. The digitally stored original is electronically approved. The approved document has a date entered in the "Approved"-field. A manual signature is not required.

The information contained in this document has to be kept strictly confidential. Any unauthorized use, reproduction, distribution or disclosure to third parties are strictly forbidden. ABB reserves all rights regarding Intellectual Property Rights. © Copyright 2013 ABB. All rights reserved.



Note:
 Mounting inclination 0-45°.
 △ For inclined and horizontal mounting, see Installation and Maintenance Guide.

Bushing Data:

| | | |
|--------------------------------|-----------|----|
| Rated Voltage | 52 | kV |
| Phase to Ground Voltage | 52 | kV |
| Dry Lightning Impulse 1,2/50µs | 250 | kV |
| Wet power frequency AC | 105 | kV |
| Routine test 1min dry 50Hz | 120 | kV |
| Rated Current | 800 | A |
| Creepage Distance | △ 1690±50 | mm |
| Creepage Distance Protected | 580 | mm |
| Mass | 28 | kg |

Ordering Data:

| | | | |
|--|---------------------------|------|-----|
| BUSHING | COLOUR AIR INSULATOR | | |
| LF123175_M | BROWN | | |
| -N | LIGHT GREY | | |
| OUTER TERMINAL | Material | D | L |
| LF 170 002-A | Cu Alloy | Ø 30 | 125 |
| LF 170 001-A | Al | Ø 30 | 125 |
| OTHER TYPES ON REQUEST | | | |
| INNER TERMINAL FOR STRANDED CABLE | Conductor area | D1 | |
| LF 170 011-S | up to 150mm² | Ø 18 | |
| LF 170 011-U | Undrilled with pilot hole | Ø 5 | |
| For crimping or brazing | Conductor area | D1 | |
| LF 170 010-M | 50mm² | Ø 11 | |
| LF 170 010-N | 70mm² | Ø 13 | |
| LF 170 010-L | 95mm² | Ø 15 | |
| SOLID ROD CONNECTOR | Material | | |
| LF 170 019 -BB for Alt.1 | Cu | | |
| LF 170 019 -BC for Alt.2 | Cu | | |
| TERMINAL PLATE | Material | | |
| LF 170 014-A | Aluminium | | |
| LF 170 021-A | Nickel-Platted Copper | | |

| | | | |
|------------|-------|------------------|------------|
| ABB | | Ludhiana, Sweden | |
| No. | Um/Uy | kV tr | A 50-60 Hz |
| BL | SL | AC | kV. |
| M | kg L | mm V | |
| Cl | pF | Tan δ | x |
| C2 | pF | Tan δ | x |

| | | | | | | |
|-------------|--|------------------------|---------|--------------------------------------|-----------------|-------------|
| Prepared | 2008-04-30 | Responsible department | PPCO/BK | Title | GOB 250-800-0.5 | |
| Modified by | 2013-04-26 | Take over department | | | | |
| Approved by | | Used in product | | WITH OIL LEVEL GAUGE LONG END SHIELD | 82 | |
| Revision | B Note added, Creep dist was 1500 & out terminal dim changed | | | | | Order |
| ABB | | | | | Document no. | 2751369-174 |
| | | | | | No. Shis. | (1) |