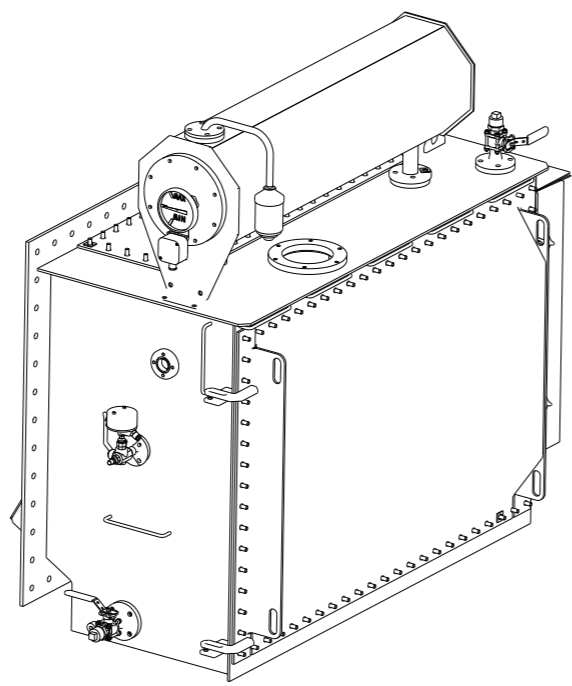
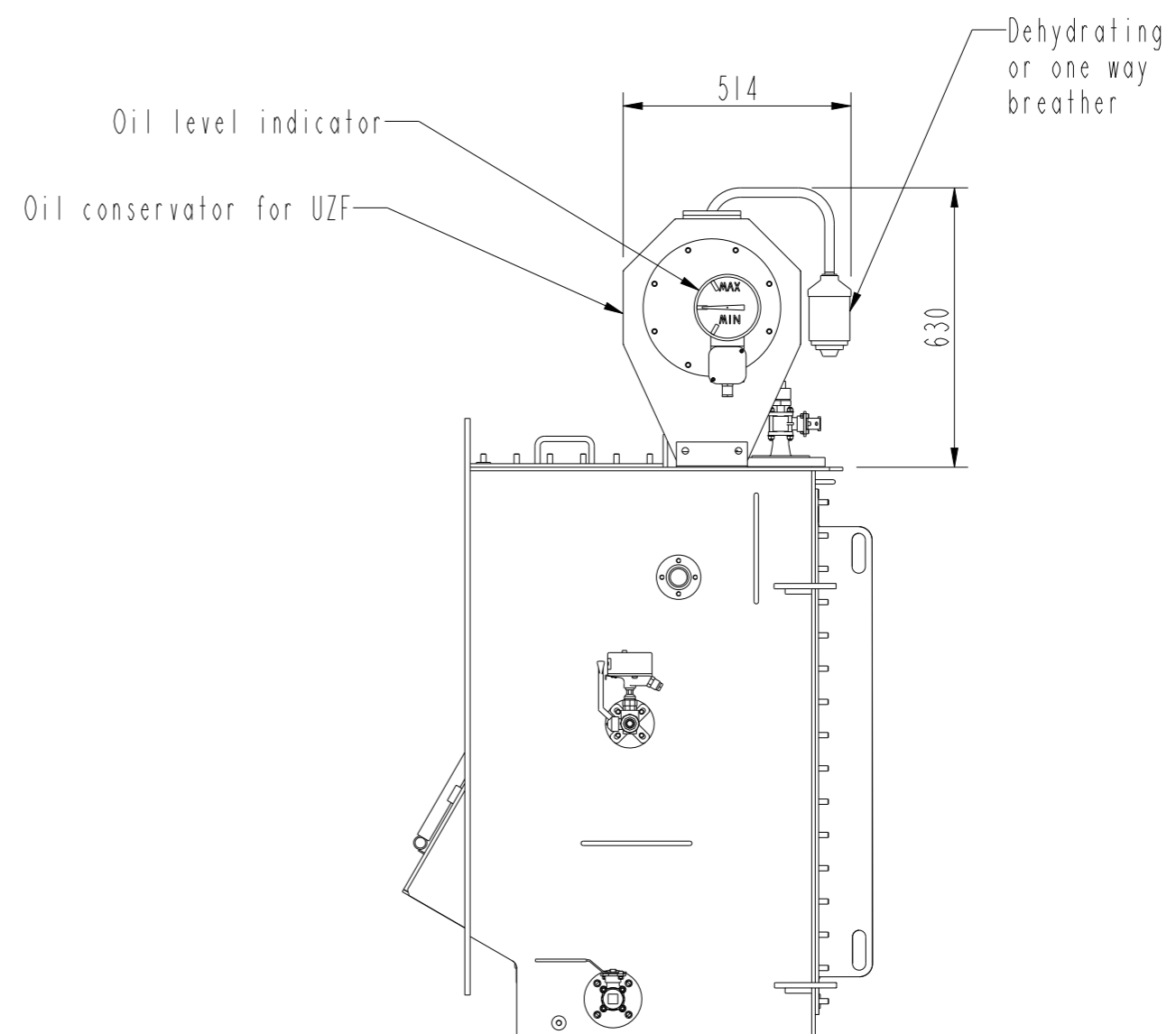
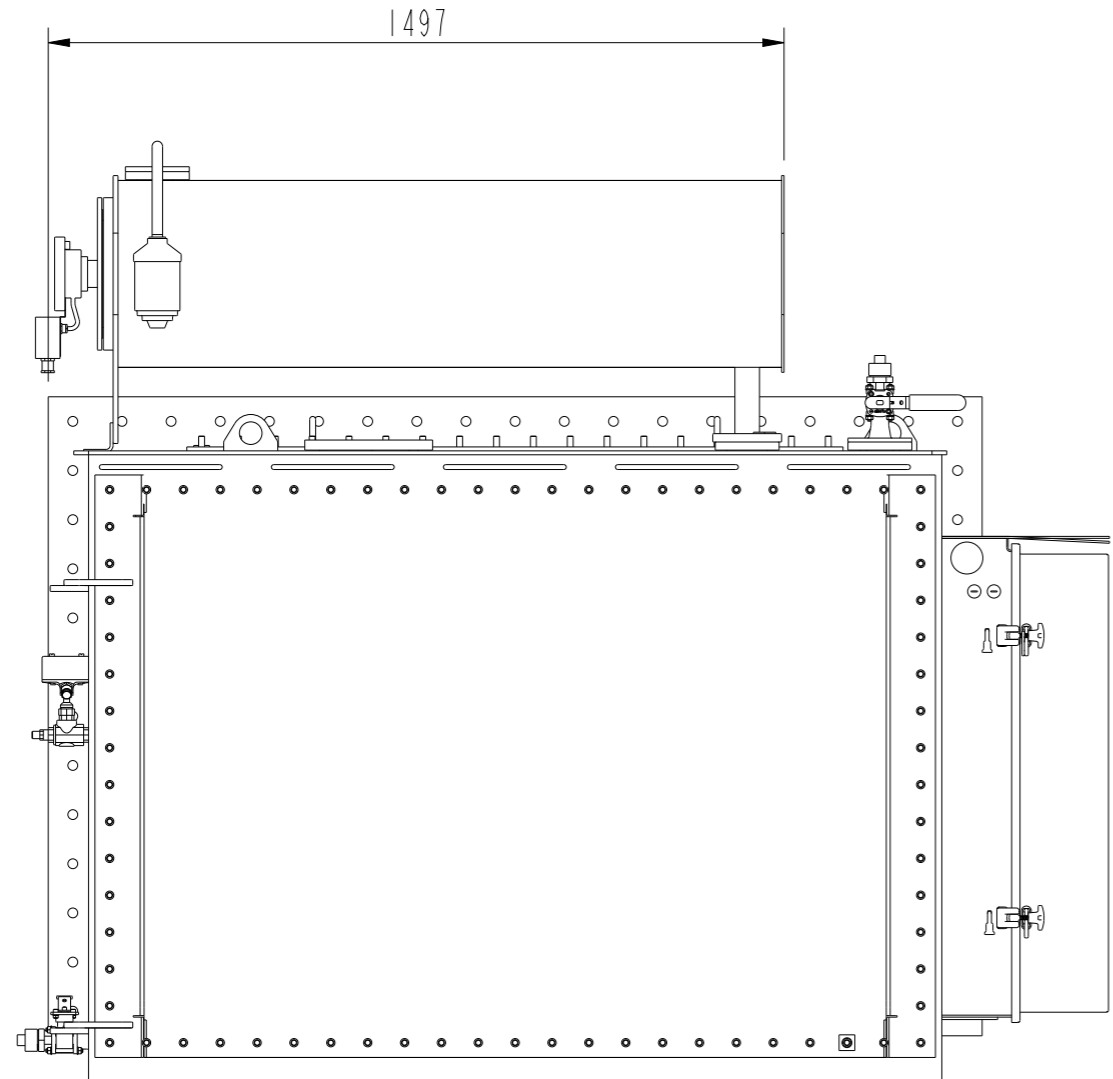



This document is issued by means of a computerized system. The digitally stored original is electronically approved. The approved document has a date entered in the 'Approved'-field. A manual signature is not required.

The information contained in this document has to kept strictly confidential. Any unauthorized use, reproduction, distribution or disclosure to third parties are strictly forbidden. ABB reserves all rights regarding Intellectual Property Rights. © Copyright 2013 ABB. All rights reserved.



Prepared Olle Enocksson 2016-12-13	Responsible department PGCO/TK	Title OIL CONSERVATOR TAP CHANGER UZF 550/650	 Language
Modified by Olle Enocksson 2017-01-09	Take over department		
Approved by Jan Einarsson 2017-01-09	Used in product		
Revision A	Order	Document no. 54920090-12	Sheet no. 1
ABB		No. Shs. (1)	