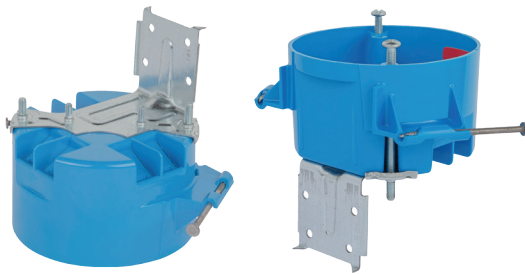


TECHNICAL DATA SHEET - INTERACTIVE PDF

Ceiling Box, New work fan/fixture

With steel "L" bracket

Carlon®



Non-metallic fan/fixture ceiling box with L- bracket for secure fan mounting.

Certifications / Standards:



3-Part Specification: 26.05.33.17
Tools and Calculators

Features:

- 4" Diameter box with 2¾" and 3½" spaced light fixture/device mounting holes.
- Ceiling fan support with 3½" spaced mounting holes, screws supplied.
- Steel bracket is supplied with tapped holes to help enable secure fan mounting.
- #10-32 screws supplied for fan support.
- Dual attachment of box to joist through nails and steel bracket/screws.
- Built in cable clamps to help hold wires securely in box.
- Maximum number of wires in box per size:
 - 10/14 AWG
 - 8/12 AWG
 - 8/10 AWG
- Volume: 20 Cu. In.
- Fan load rating is clearly visible in each box.

Applications:

- Suitable for fan support of 35 lbs or less.
- Suitable for light fixture support of 50 lbs or less.

Conforms to:

- UL514C
 - File number: E11461
- Meets NEC 314.27 (C) for habitable rooms and non-habitable rooms.

Ratings:

- Fire rating, 2 hours
- Fan support, 35 lbs or less
- Fixture support, 50 lbs or less

Material / Finishes:

- Box -Polycarbonate
- Fan support bracket - Steel

Table data:

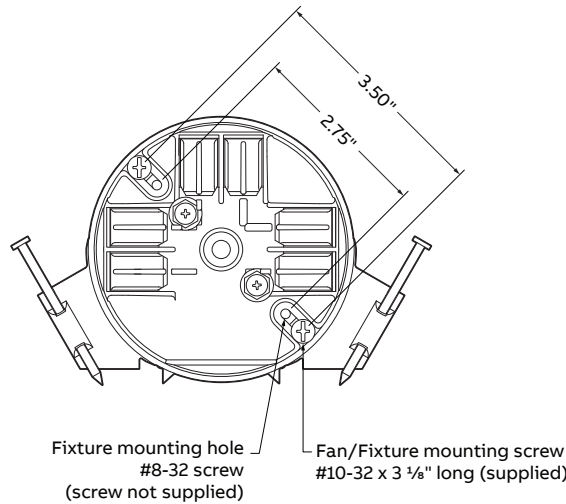
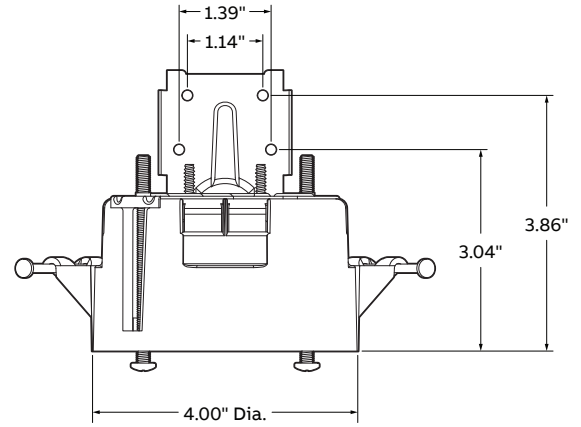
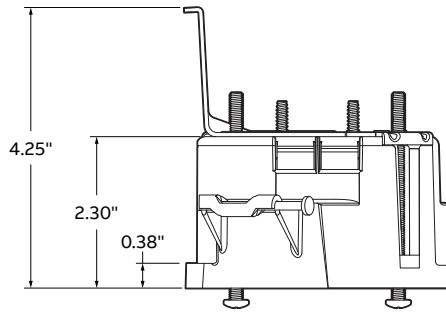
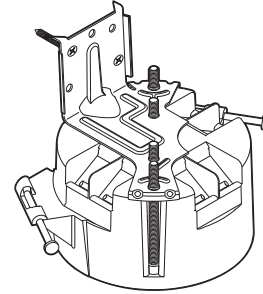
- [Product selection](#)

**Ceiling Box, New work fan/fixture
With steel "L" bracket**

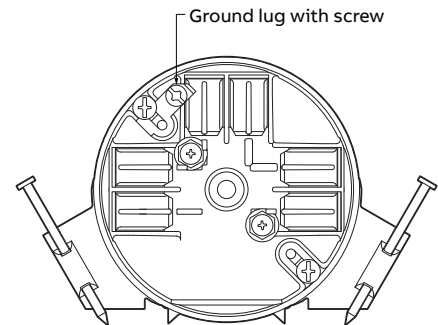
Product selection

Part no.	Ground lug
B520A-CFB	No
B520P-CFB	Yes

Note: Product must be installed in accordance with applicable national and local electrical codes.



B520A-CFB



B520P-CFB

Fan/Fixture Installation

Ceiling Fan Installation: must use #10-32 x 3 1/8" screws supplied with the box.

- #10-32 Screw torque - 35 Lb-In
- #8-32 Screw torque - 20 Lb-In

electrification.us.abb.com (US/LATAM)
tnb.ca.abb.com (Canada)
abb.com

We reserve the right to make technical changes or modify the contents of this document without prior notice. With regard to purchase orders, the agreed particulars shall prevail. ABB does not accept any responsibility whatsoever for potential errors or possible lack of information in this document.

We reserve all rights in this document and in the subject matter and illustrations contained therein. Any reproduction – in whole or in part – is forbidden without prior written consent of ABB. © 2023 ABB Installation Products Inc. and/or its related companies. All Rights Reserved.

Product search

