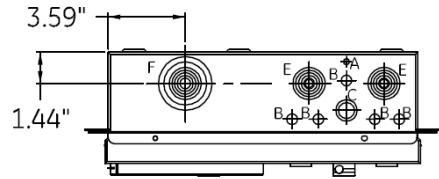
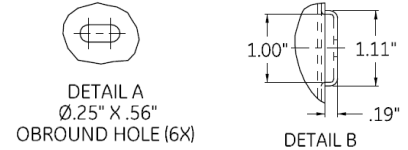


Top View

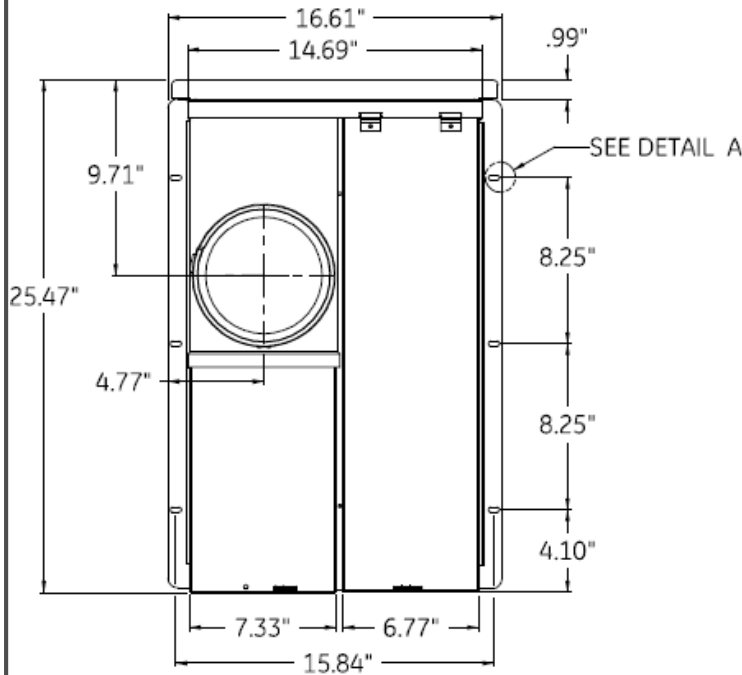


Wire Sizes

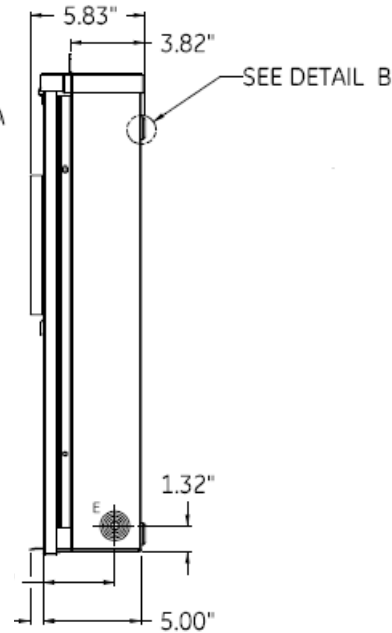
Wire Range - Line (CU/AL)	Wire Range - Neutral (CU/AL)	Wire Range Ground (CU/AL)
CU Solid: (1) #14-#8; CU Stranded: (1) #14-2/0 AL Solid: (1) #12-#8 AL Stranded: (1)#12-2/0	CU Solid: (1) #14-#8; CU Stranded: (1) #14-2/0 AL Solid: (1) #12-#8 AL Stranded: (1)#12-2/0	CU: (8) #14-#8 & (3) #14-#4 -or- AL: (8) #12-#8 & (3) #6-#4



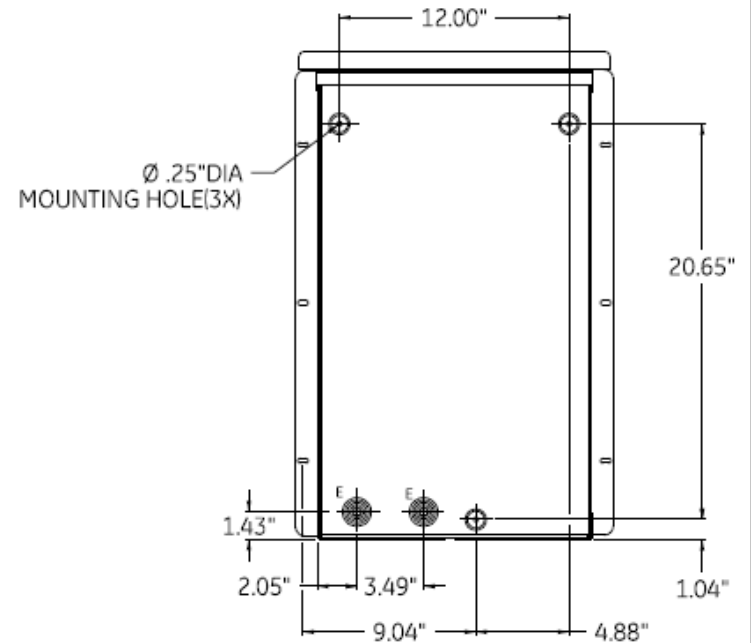
Front View



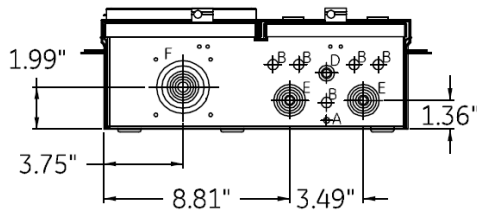
Side View



Back View



Bottom View



All DIMENSIONS HAVE +/- .125 TOLERANCE

SYMBOL	SIZE	QTY.
A	9/32 KO	2
B	1/2 KO	10
C	3/4 X 1 KO	1
D	3/8 X 1/2 X 3/4 KO	1
E	3/8 X 1/2 X 3/4 X 1 X 1 1/4 X 1 1/2 KO	7
F	1/2 X 3/4 X 1 X 1 1/4 X 1 1/2 X 2 X 2 1/2 KO	2



imagination at work

Main Lug Only - Ring - 100A 10K - 2/4 Circuits - N3R Encl - Side-by-Side-Semiflush Front -UG/OH Incoming Feed- EUSERC

CAT NO	DWG DATE	REV #
TSL210CFCU	6/4/2015	01